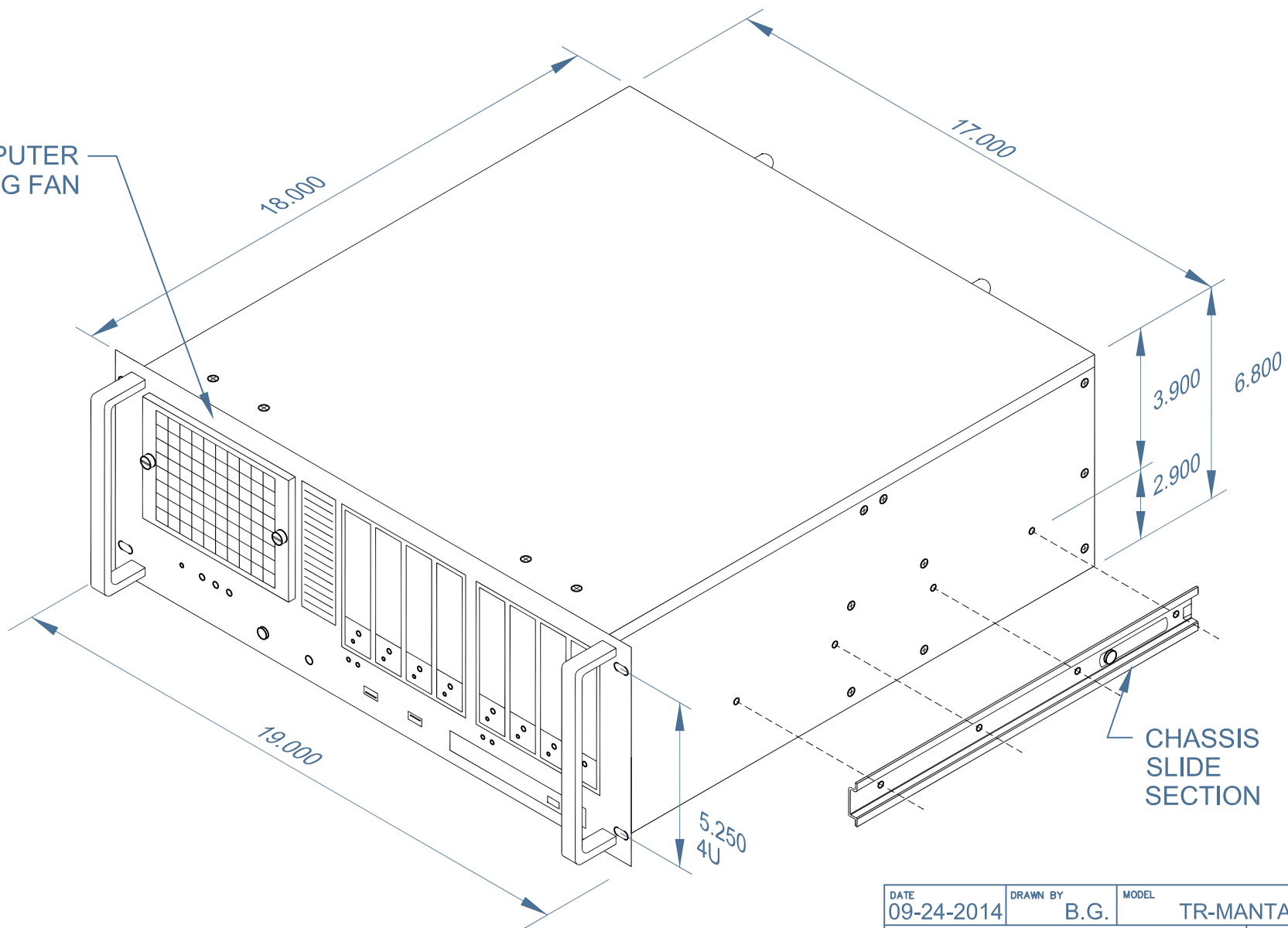


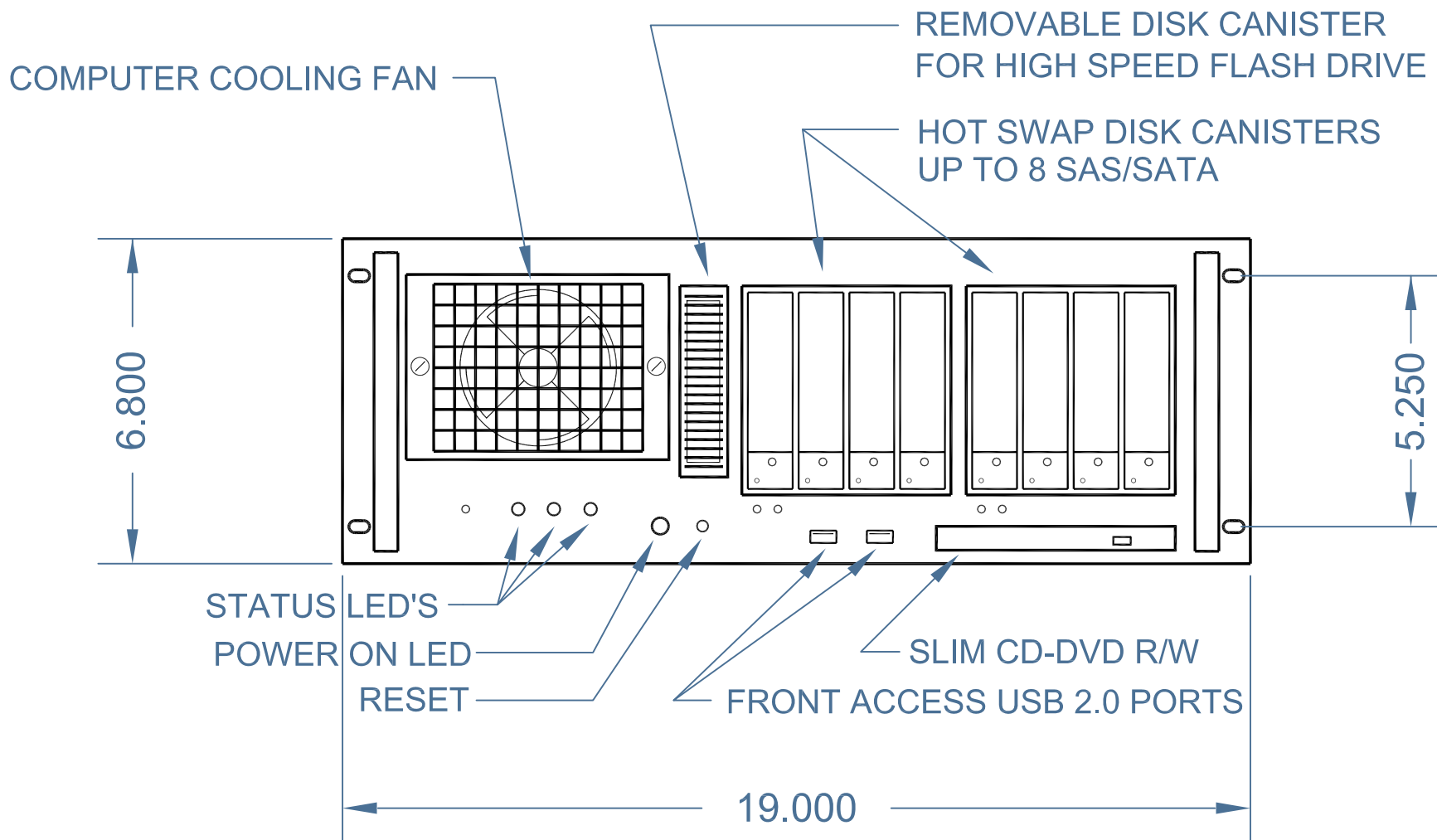
COMPUTER  
COOLING FAN



CHASSIS  
SLIDE  
SECTION

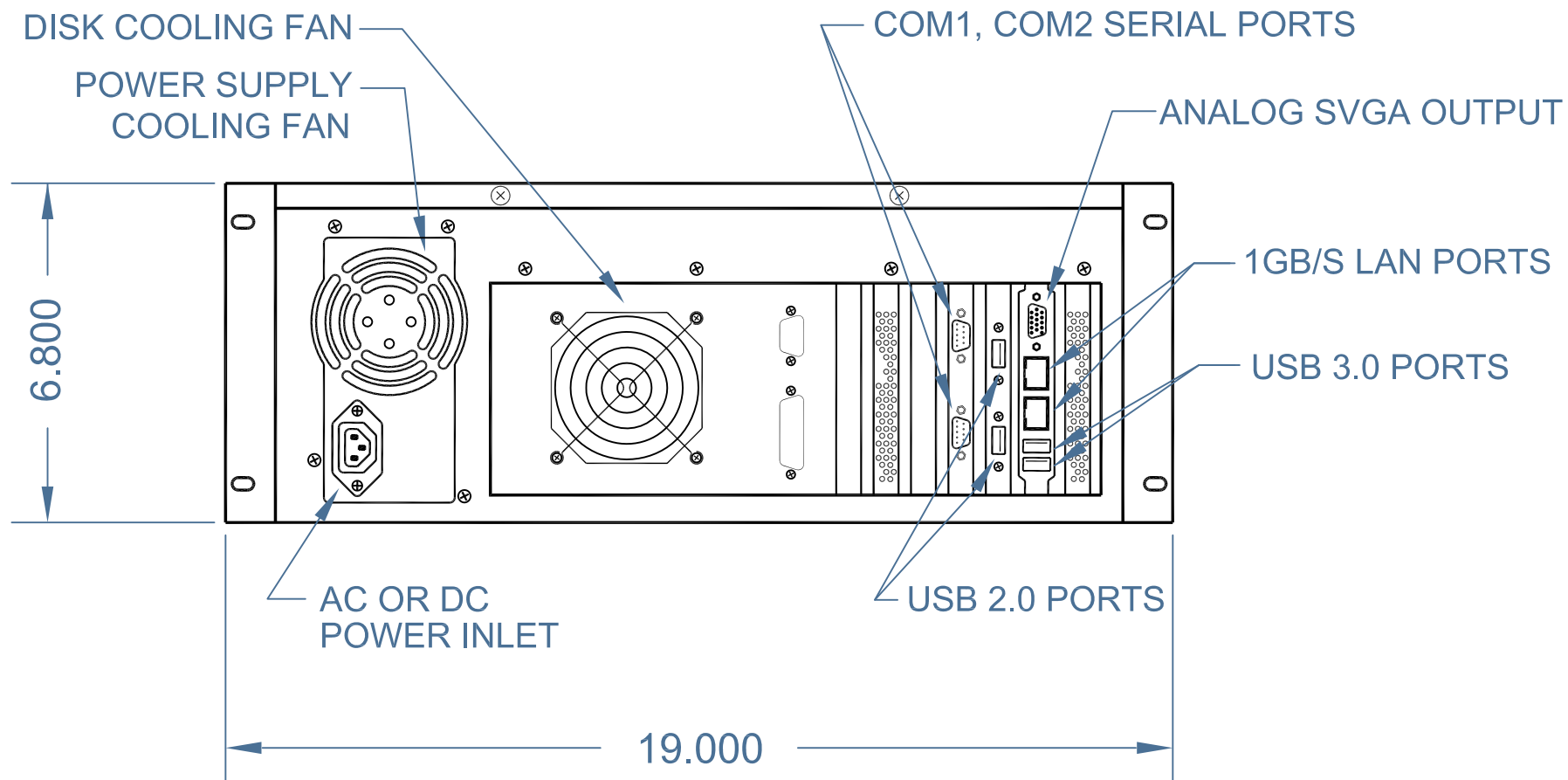
NOTE: ALL DIMENSIONS IN INCHES

DATE 09-24-2014	DRAWN BY B.G.	MODEL TR-MANTA		
4U RACK MOUNT COMPUTER			REVISION	SCALE
FINISH		Transduction	CHECKED BY	NTS
TITLE TR-MANTA SIDE			DRAWING No B-595	



NOTE: ALL DIMENSIONS IN INCHES

DATE 09-24-2014	DRAWN BY B.G.	MODEL TR-MANTA		
PRODUCT 4U RACK MOUNT COMPUTER		REVISION	SCALE	
FINISH CRINKLE BLACK POWDER PAINT	Transduction		CHECKED BY	NTS
TITLE TR-MANTA FRONT			DRAWING No B-596	



NOTE: ALL DIMENSIONS IN INCHES

DATE 09-24-2014	DRAWN BY B.G.	MODEL TR-MANTA		
PRODUCT 4U RACK MOUNT COMPUTER		REVISION	SCALE	
FINISH Transduction		CHECKED BY	NTS	
TITLE TR-MANTA REAR			DRAWING No B-597	