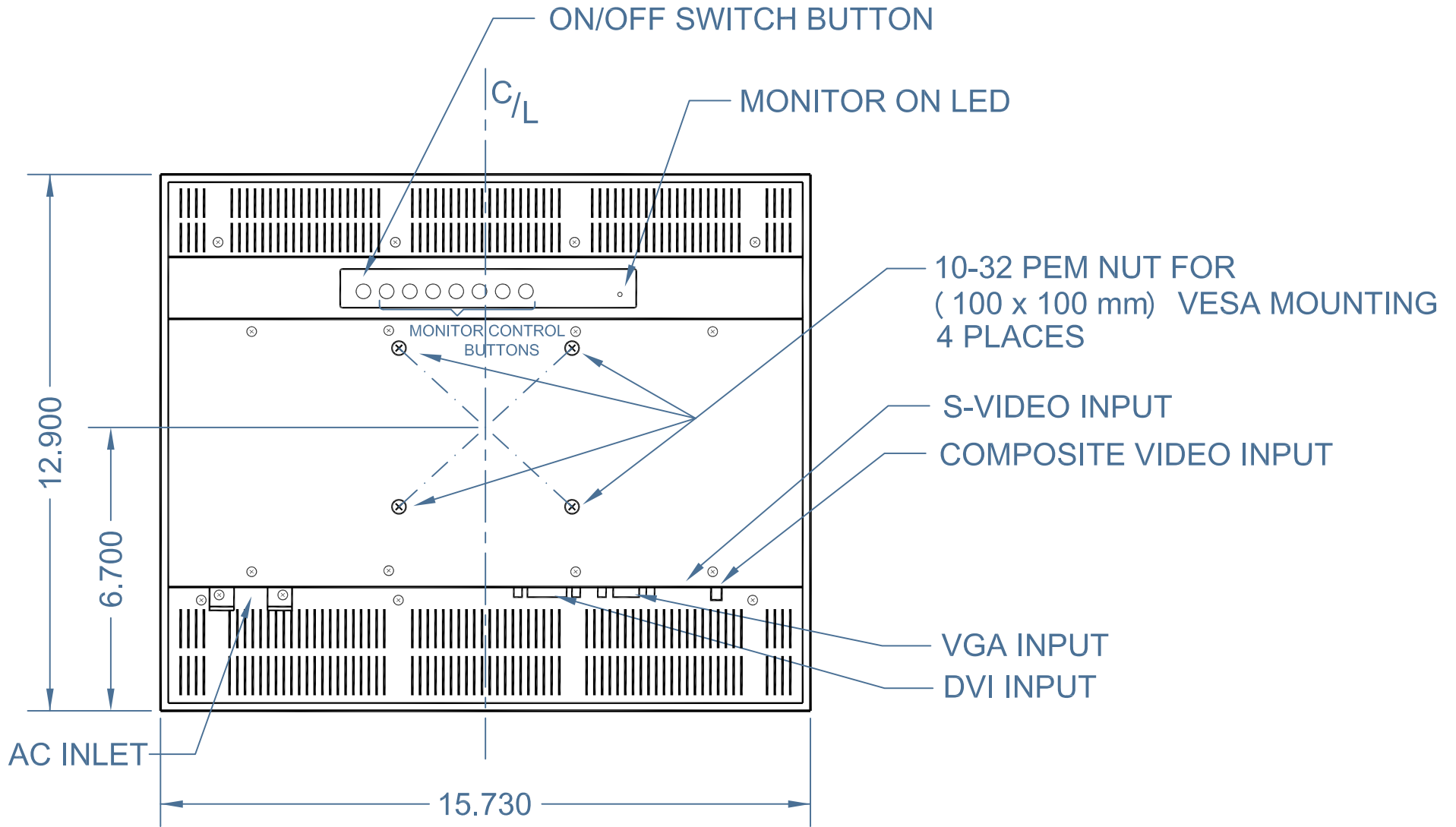


NOTE: ALL DIMENSIONS IN INCHES

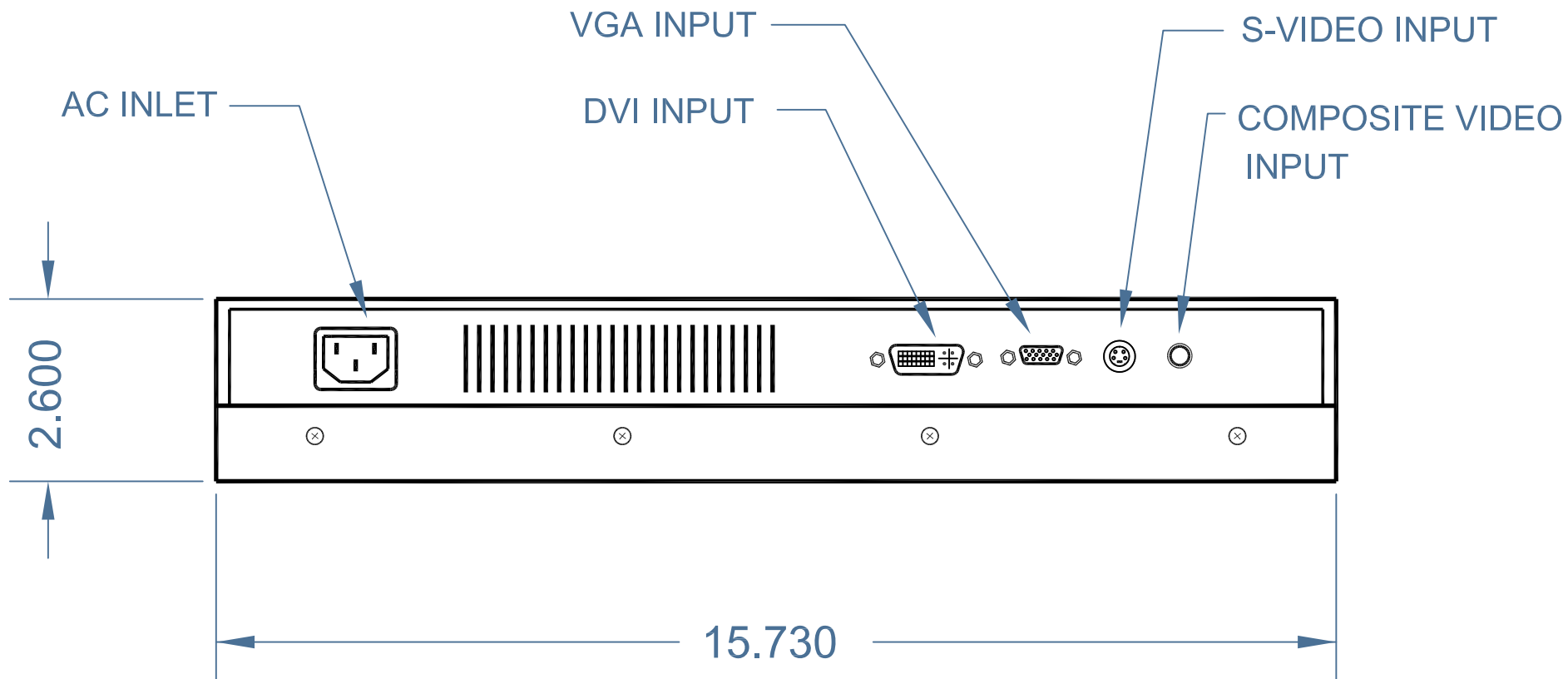
DATE	08-02-2014	DRAWN BY	B.G.	MODEL	TR-LCD1900-VESA2-AP	
VESA-MOUNT 19" LCD MONITOR				REVISION	SCALE	
FINISH	BLACK EPOXY POWDER PAINT	Transduction		CHECKED BY	NTS	
TITLE	LAYOUT			DRAWING No	B-589	



BACK VIEW

NOTE: ALL DIMENSIONS IN INCHES

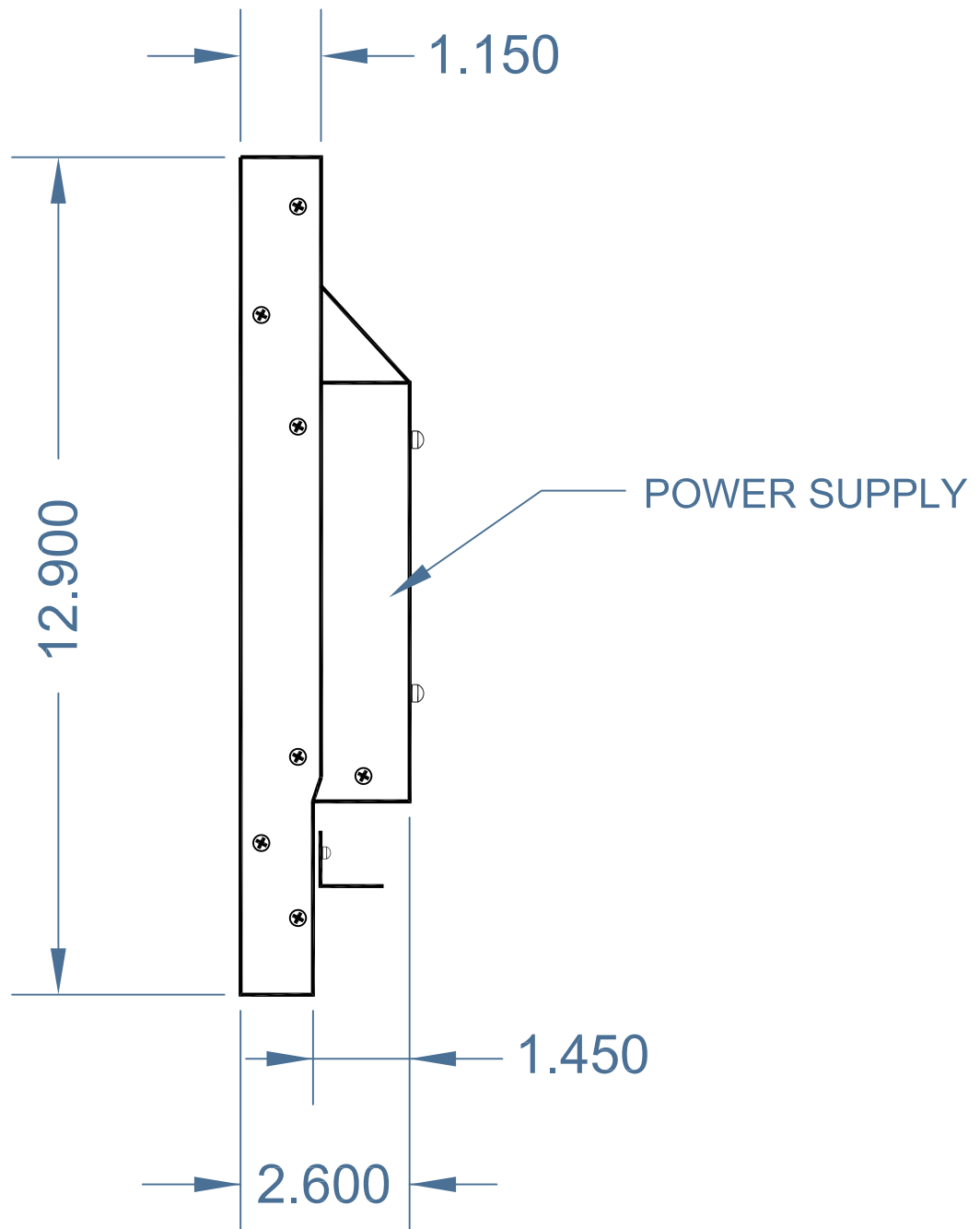
DATE 08-02-2014	DRAWN BY B.G.	MODEL TR-LCD1900-VESA2-AP	REVISION	SCALE
VESA-MOUNT 19" LCD MONITOR			CHECKED BY	NTS
FINISH BLACK EPOXY POWDER PAINT	Transduction		DRAWING No B-590	
TITLE LAYOUT				



BOTTOM VIEW

NOTE: ALL DIMENSIONS IN INCHES

DATE	08-02-2014	DRAWN BY	B.G.	MODEL	TR-LCD1900-VESA2-AP
VESA-MOUNT 19" LCD MONITOR				REVISION	SCALE
FINISH	BLACK EPOXY POWDER PAINT	Transduction		CHECKED BY	NTS
TITLE	LAYOUT			DRAWING No	B-591



RIGHT SIDE VIEW

DATE 08-02-2014	DRAWN BY B. G.	MODEL TR-LCD1900-VESA2-AP		
PRODUCT VESA-MOUNT 19" LCD MONITOR			REVISION	SCALE
FINISH BLACK EPOXY POWDER PAINT		Transduction	CHECKED BY	NTS
TITLE LAYOUT			DRAWING No B-592	

NOTE: ALL DIMENSIONS IN INCHES