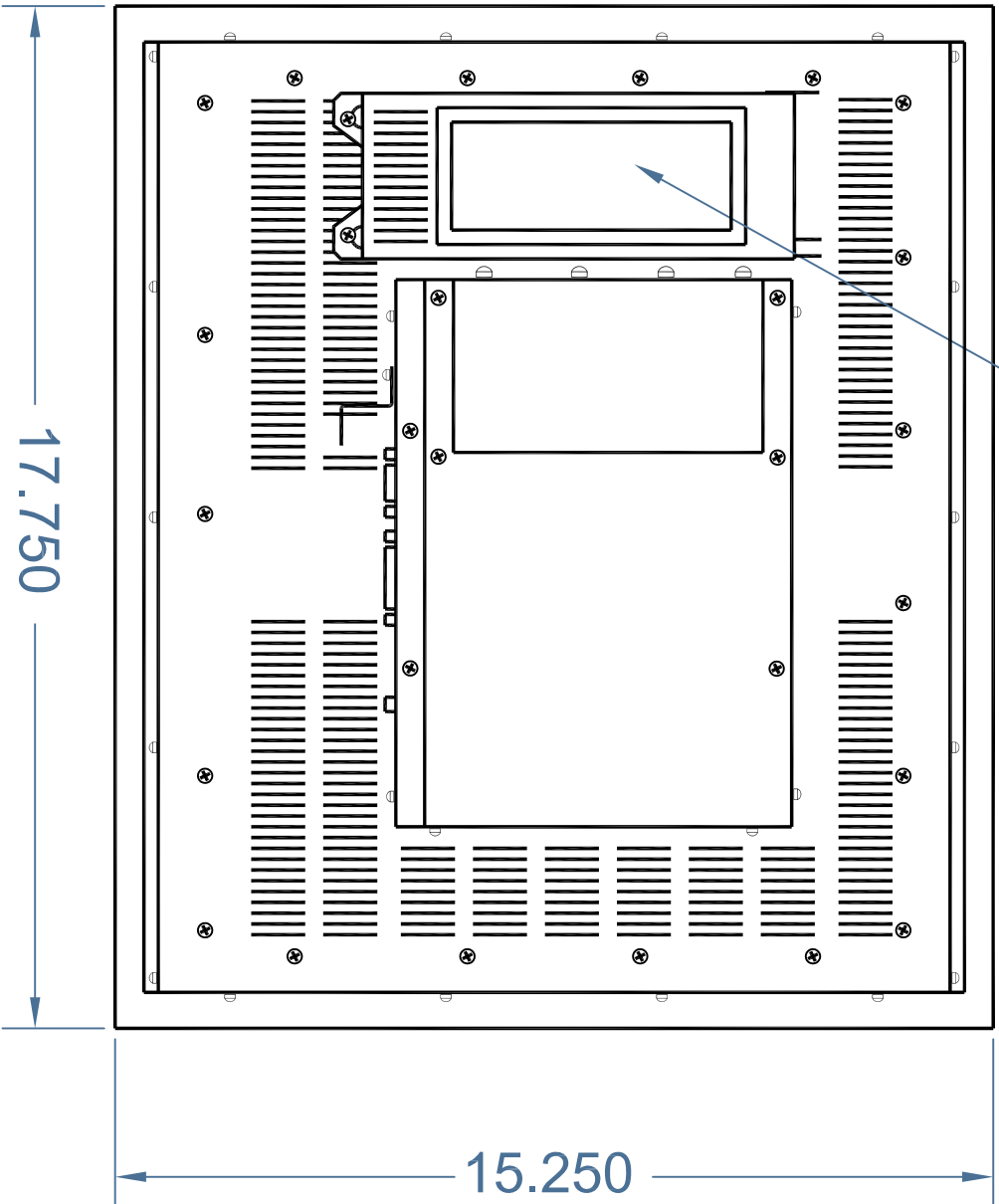


19" LCD SCREEN

**FRONT VIEW**

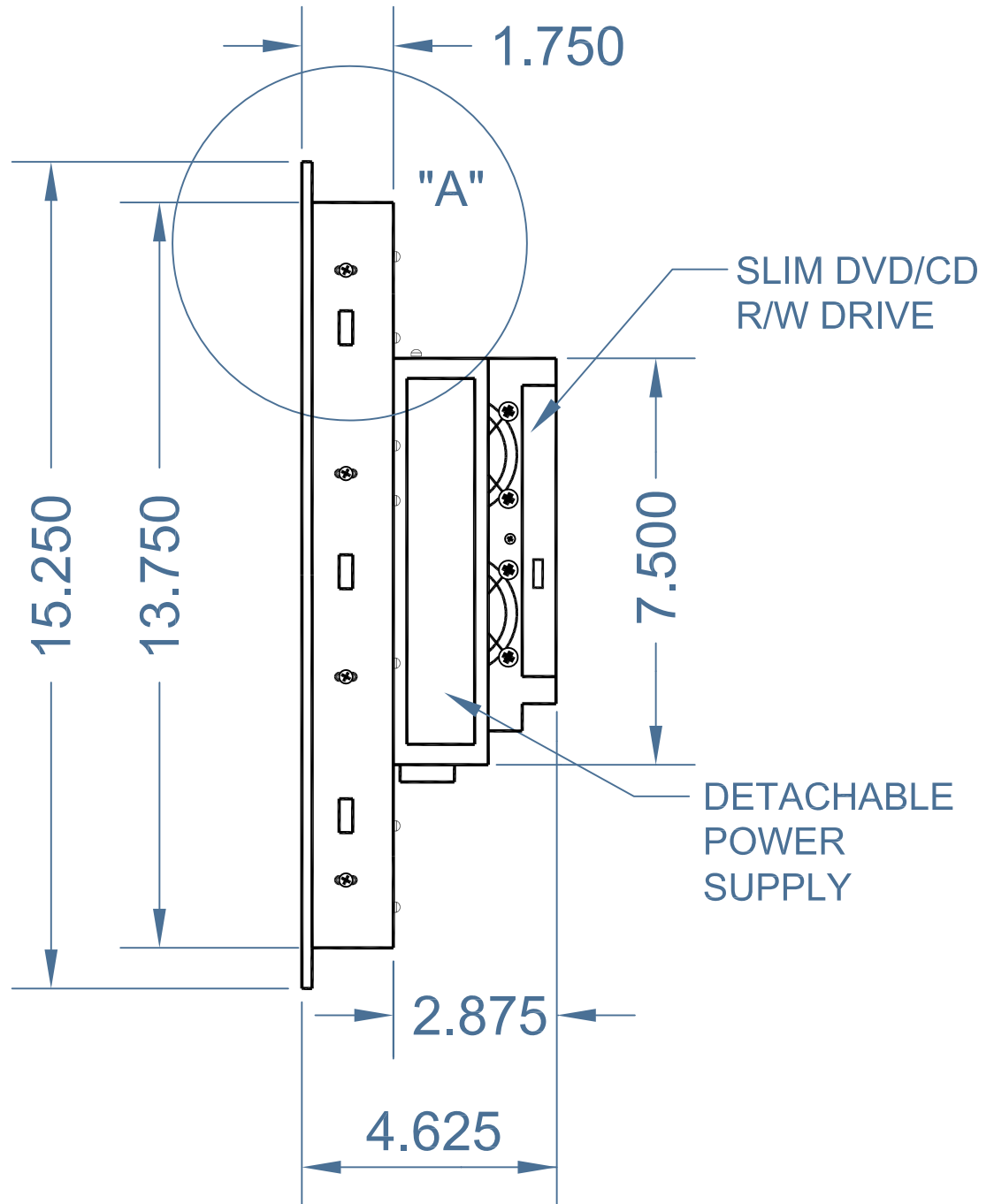
DATE	08-12-2013	DRAWN BY	B.G.	MODEL	TR-LCD1900-ITX-15/i7
PRODUCT	PANEL MOUNT COMPUTER			REVISION	SCALE
FINISH	ORINKLE BLACK	Transduction		CHECKED BY	NTS
TITLE	POWDER PAINT	LAYOUT		DRAWING NO	B-555



DETACHABLE POWER SUPPLY

REAR VIEW

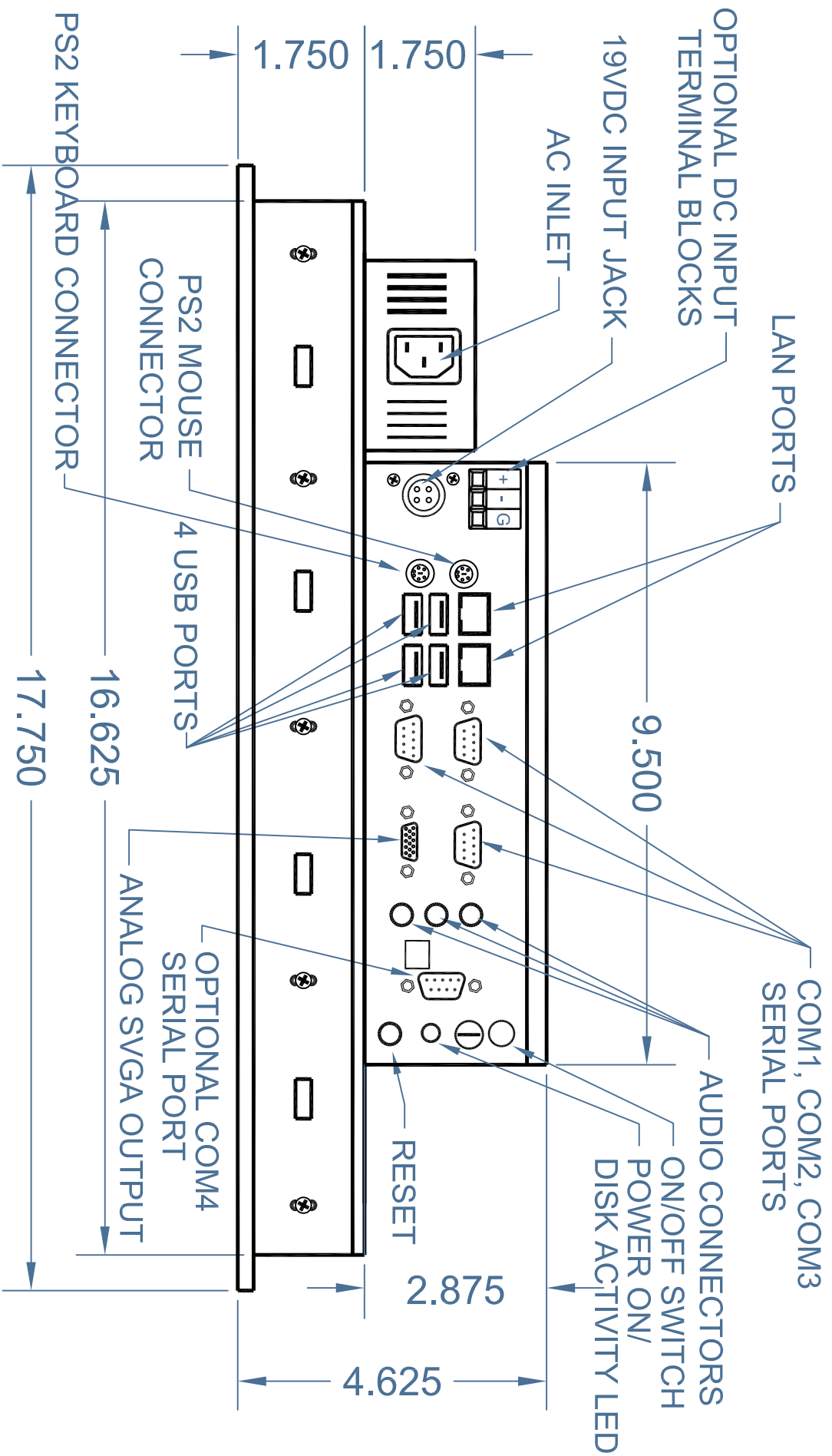
DATE	08-12-2013	DRAWN BY	B.G.	MODEL	TR-LCD1900-ITX-i5/i7
PRODUCT	PANEL MOUNT COMPUTER				REVISION
FINISH	Transduction				CHECKED BY
TITLE	LAYOUT				SCALE
	DRAWING No				NTS
	B-556				



RIGHT SIDE VIEW

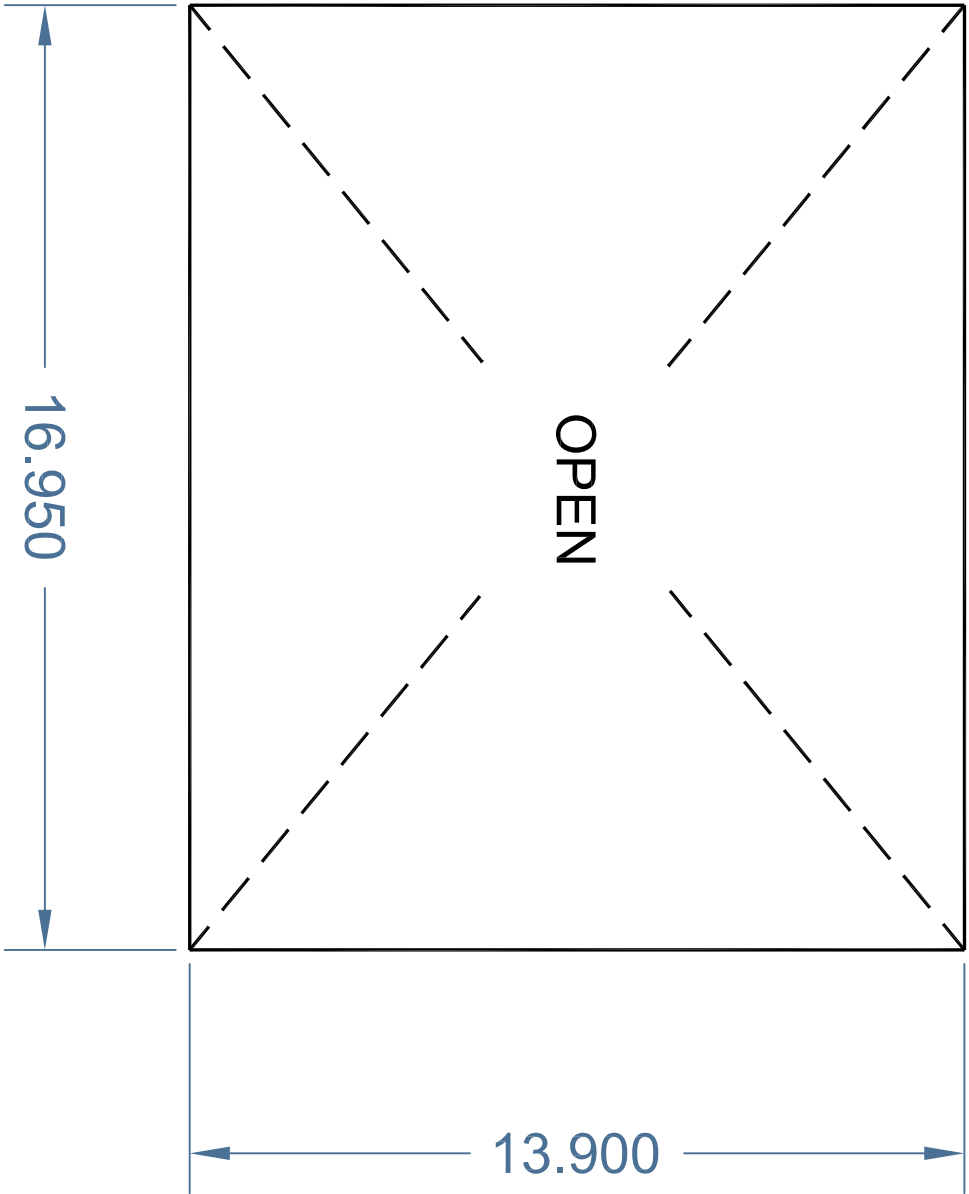
NOTE: FOR DETAIL "A" LOOK  
DRAWING B-560

DATE 08-12-2013	DRAWN BY B. G.	MODEL TR-LCD1900-ITX-i5/i7	REVISION	SCALE
PRODUCT PANEL MOUNT COMPUTER			CHECKED BY NTS	SCALE
FINISH CRINKLE BLACK POWDER PAINT	Transduction			
TITLE LAYOUT			DRAWING No B-557	

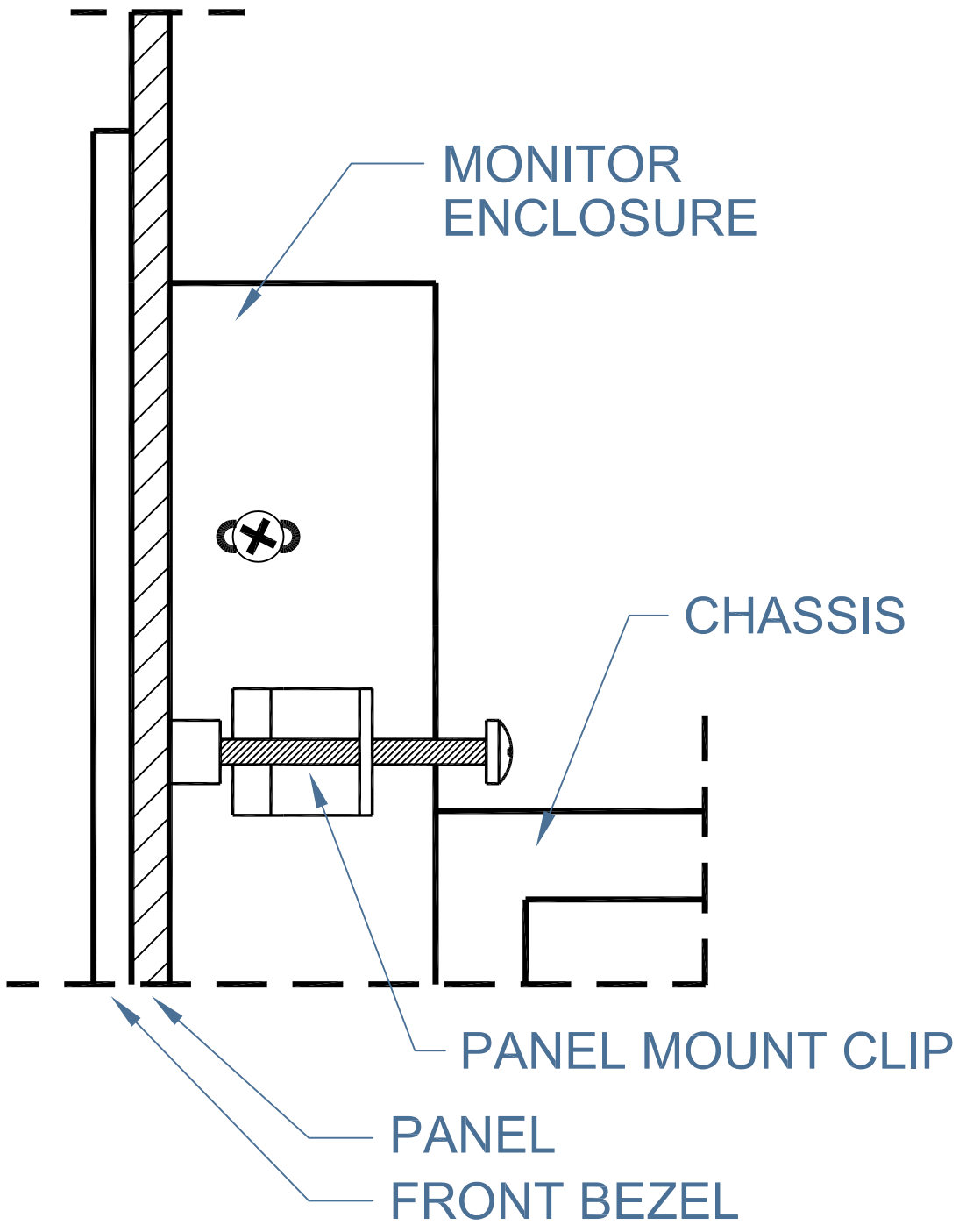


# BOTTOM VIEW

DATE	08-12-2013	DRAWN BY	B.G.	MODEL	TR-LCD1900-ITX-i5/i7
PRODUCT	PANEL MOUNT COMPUTER			REVISION	SCALE
FINISH	CRINKLE BLACK POWDER PAINT			CHECKED BY	NTS
TITLE	LAYOUT			DRAWING No	B-558

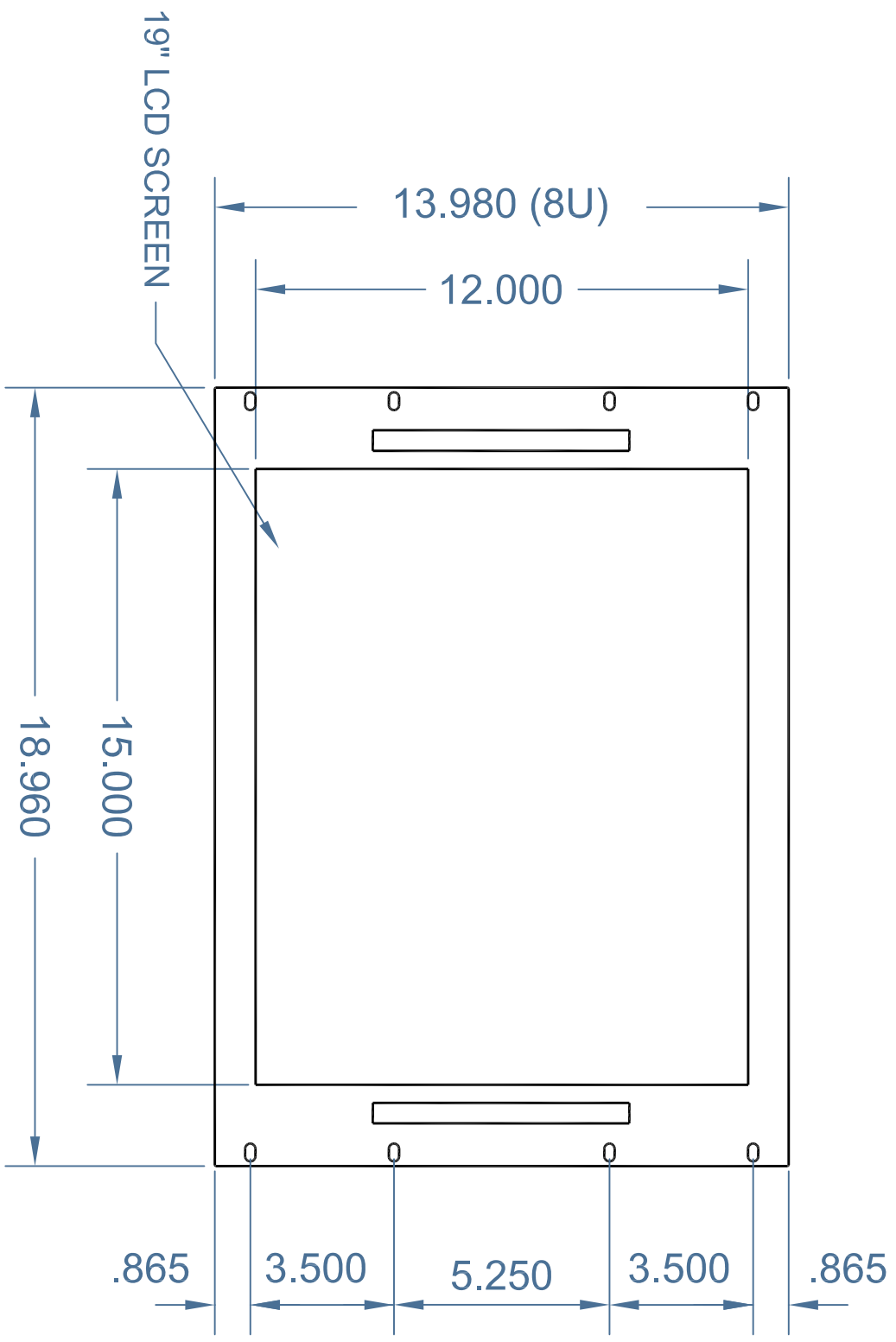


DATE	08-12-2013	DRAWN BY	B.G.	MODEL	TR-LCD1900-ITX-15/17
PRODUCT	PANEL MOUNT COMPUTER			REVISION	SCALE
FINISH	Transaction			CHECKED BY	NTS
TITLE	CUTOUT			DRAWING No	B-559



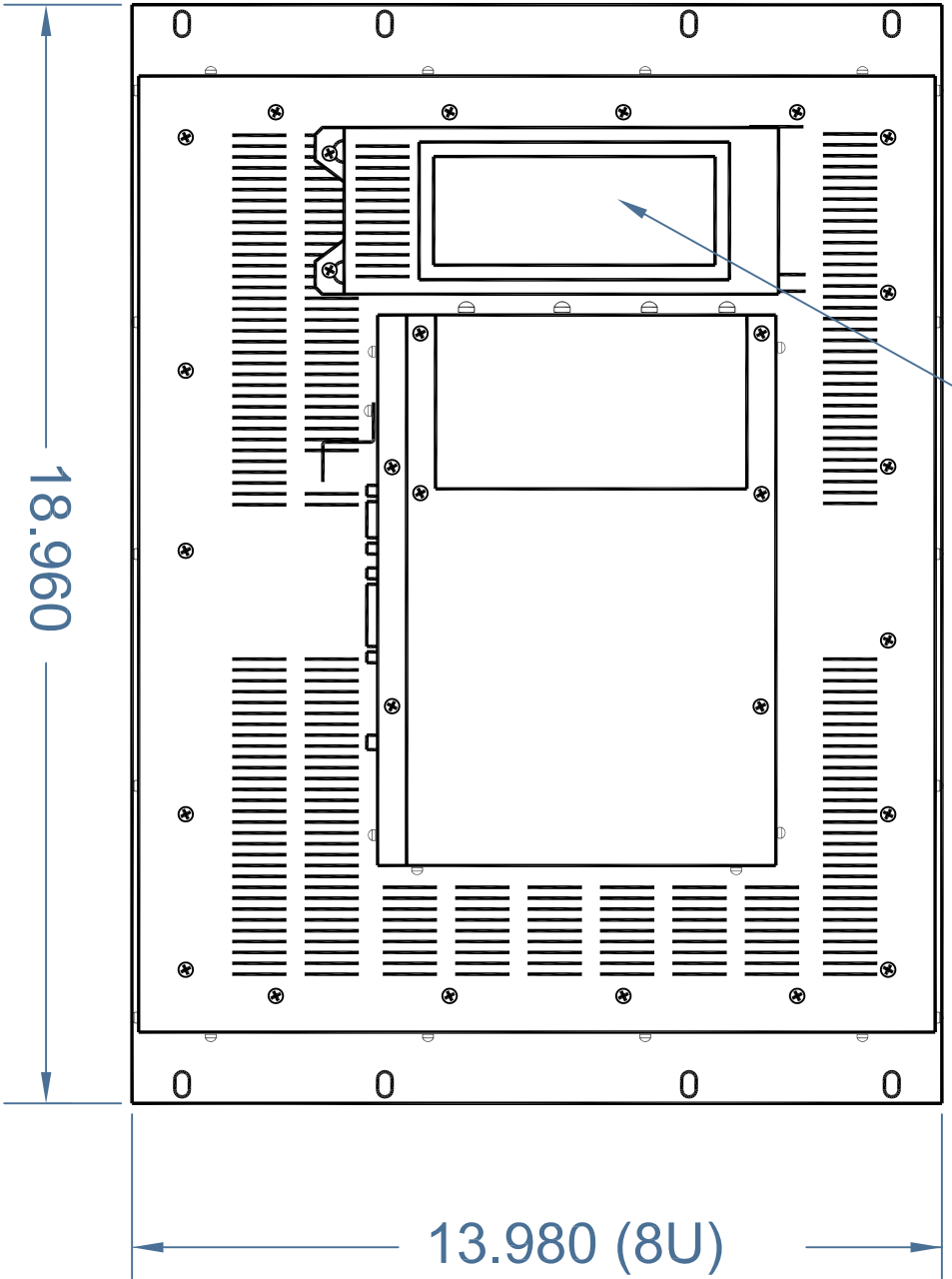
NOTE: CLIP ATTACHED FROM BEHIND AFTER CHASSIS PLACEMENT IN THE PANEL OPENING

DATE 08-12-2013	DRAWN BY B. G.	MODEL TR-LCD1900-ITX-i5/i7	REVISION	SCALE
PRODUCT PANEL MOUNT COMPUTER			CHECKED BY NTS	
FINISH		Transduction		
TITLE DETAIL "A"			DRAWING No B-560	



**FRONT VIEW**

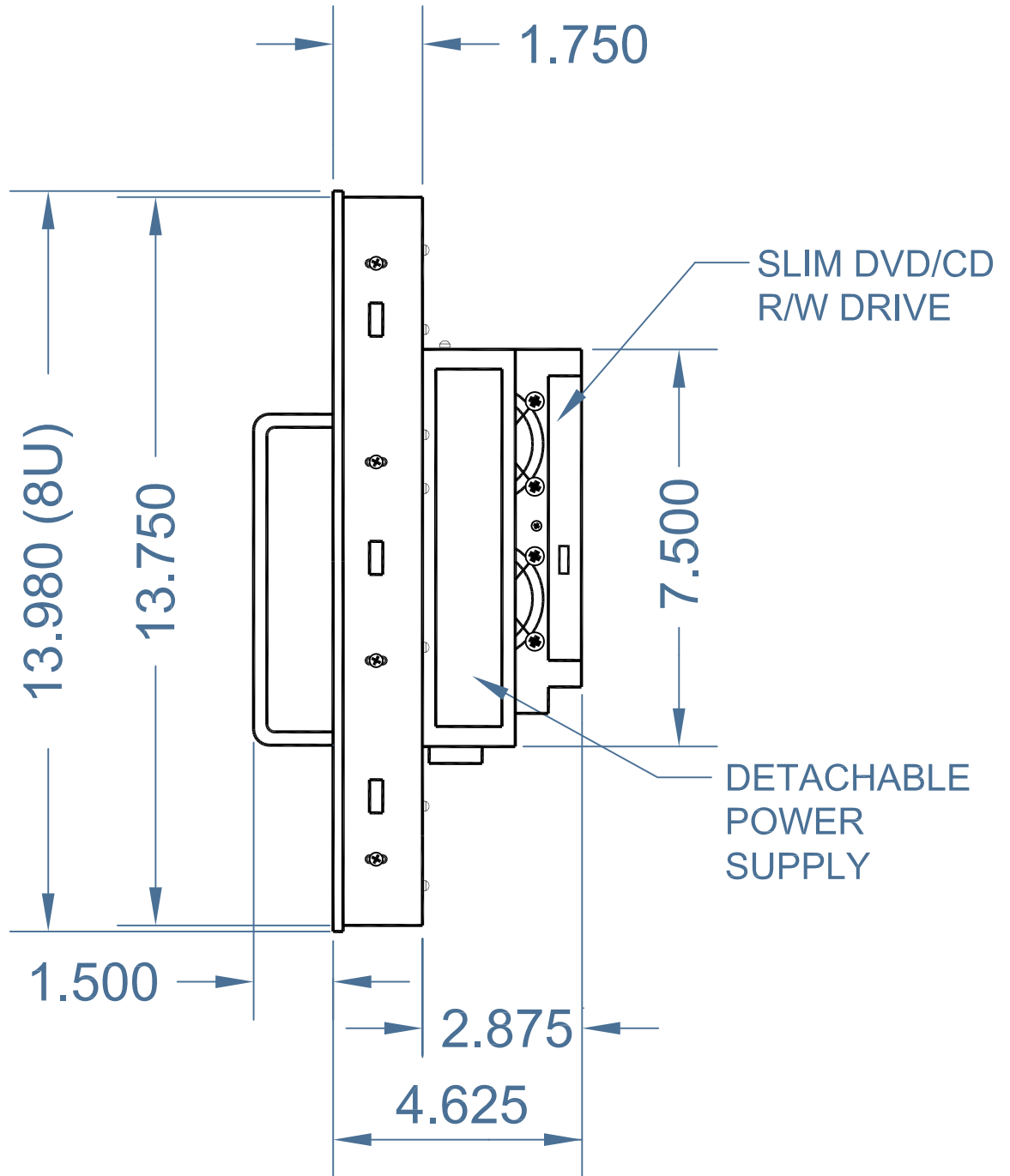
DATE	08-12-2013	DRAWN BY	B.G.	MODEL	TR-LCD1900-ITX-15/17
PRODUCT	RACK MOUNT COMPUTER			REVISION	
FINISH	CRINKLE BLACK	CHECKED BY	NTS	SCALE	
	POWDER PAINT				
TITLE	LAYOUT		DRAWING No	B-561	



## REAR VIEW

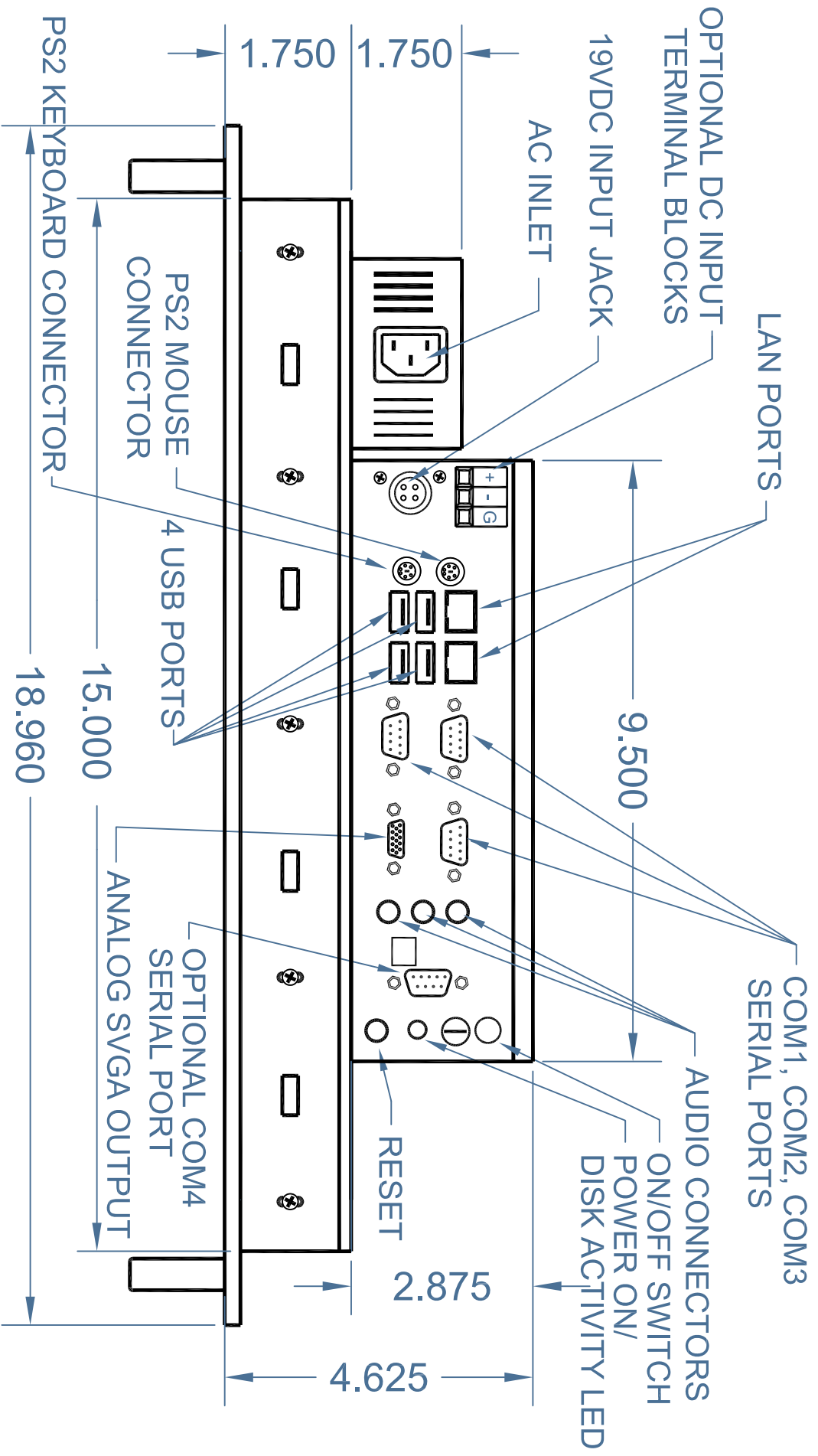
DATE	08-12-2013	DRAWN BY	B.G.	MODEL	TR-LCD1900-ITX-i5/i7
PRODUCT	RACK MOUNT COMPUTER			REVISION	SCALE
FINISH	Transduction			CHECKED BY	NTS
TITLE	LAYOUT			DRAWING NO	B-562





RIGHT SIDE VIEW

DATE 08-12-2013	DRAWN BY B. G.	MODEL TR-LCD1900-ITX-i5/i7	REVISION	SCALE
PRODUCT RACK MOUNT COMPUTER			CHECKED BY	NTS
FINISH CRINKLE BLACK POWDER PAINT				
TITLE LAYOUT			DRAWING No B-563	



# BOTTOM VIEW

DATE	08-12-2013	DRAWN BY	B.G.	MODEL	TR-LCD1900-ITX-45/I7
PRODUCT	RACK MOUNT COMPUTER			REVISION	SCALE
FINISH	CRINKLE BLACK POWDER PAINT	Transduction		CHECKED BY	NTS
TITLE	LAYOUT			DRAWING No	B-564