

TRANSDUCTION



USER'S MANUAL

Version 1.1

07/30/08

TR-LCD1500-RM Rack Mount Monitor

TR-LCD1500-PM Panel Mount Monitor

5155-23 Spectrum Way, Mississauga, ON, Canada L4W 5A1

TEL: 1-800-268-0427, 905-625-1907

FAX: 905-625-0531

Email: sales@transduction.com

Important Information

The information in this document is subject to change without notice.

All relevant issues have been considered in the preparation of this document. Should you notice an omission or any questionable item in this document, please feel free to notify Transduction.

Regardless of the foregoing statement, Transduction assumes no responsibility for any errors that may appear in this document nor for results obtained by the user as a result of using this product.

Copyright © 2005 Transduction. All rights reserved.

This document is protected by copyright. No part of this document may be reproduced, copied or translated in any form or means without prior written permission from Transduction.

All other trademarks, brand and product names are the property of their respective owners.

Return policy

Products returned for repair must be accompanied by a Return Material Authorization (RMA) number, obtained from Transduction prior to return. Freight on all returned items must be prepaid by the customer. The customer is responsible for any loss or damage caused by the carrier in transit.

To obtain an RMA number, call us at 905-625-1907. We will need the following information:

- *Return company address and contract*
- *Model name, model number and serial number*
- *Description of the failure*

Mark the RMA number clearly on the outside of each box, include a failure report and return the product to:

Transduction

5155 – 23 Spectrum Way

Mississauga ON Canada L4W 5A1

Attn: RMA Department

Index

Safety Precautions	2
Contents	3
Quick Start	4
OSD (On-Screen Display) Controls	5
Troubleshooting Tips	6
TR-LCD1500 Specifications	7
Mechanical Drawings & Specifications	9
Panel Mount Cut-out Template	13

Safety Precautions

When not used for extended periods of time, set your PC to DPMS. If using a screen saver, set it to the active screen mode.

Do not use a damaged or loose plug. This may cause an electric shock or fire.

Do not pull the plug out by the wire or touch the plug with wet hands. This may cause an electric shock or fire.

Use only a properly grounded plug or receptacle. An improper ground may cause electric shock or equipment damage.

Do not excessively bend the plug and wire or place heavy objects on them. This could cause damage and an electric shock or fire.

Do not place the monitor face down. The CDT surface may be damaged.

When cleaning, wipe with a slightly moistened, soft cloth. Do not spray any cleaner directly on to the monitor.

Do not remove housing. No serviceable parts inside. Refer servicing to Transduction.

Contents

Your new TR-LCD1500 monitor box should contain the following:

- TR-LCD1500 rack mount / panel mount monitor
- Power Cord
- Video Signal Cable
- User's Manual

**Remember to save your original box and packing material to transport or ship the monitor.*



Power Cord



Video Signal Cable



User's Manual



Quick Start

To attach the TR-LCD1500 monitor to your system, follow these instructions:

1. Turn off the power to your computer.
2. Connect the power cord for your monitor to the power port on the back of the monitor. Plug the power cord for the monitor into a nearby outlet.
3. Using the D-sub (analog) connector on the video card:
Connect the signal cable to the 15-pin, D-sub connector on the back of your monitor.



4. Turn on your computer and monitor. If your monitor displays an image, installation is complete.
5. Plug and Play feature will automatically setup the monitor in Windows operating systems. Additional adjustments can be made using the OSD (On-Screen Display) controls on the back of the monitor. See page 5 for details.

OSD (On-Screen Display) Controls

These controls are located on the rear panel of the monitor.



- POWER** Turns ON/OFF the system
- MENU** Activates the OSD menu or goes to previous menu
- SET**
- When the OSD menu is off, press more than 3 seconds
 - : Performs "Auto-adjustment" function
 - When the OSD menu is on
 - : Selects the highlighted icon that user wants
 - Selects the Input Signal among analog RGB, CVBS and S-VHS
- DOWN**
- Moves the highlight icon up to the function that user wants
 - Decreases the adjustment of the selected function
- UP**
- Moves the highlight icon down to the function that user wants
 - Increases the adjustment of the selected function

Accessing the menu system

1. With the OSD off, push the **Menu** button to activate the main OSD menu.
2. Use the **Up** or **Down** buttons to move from one function to another. As you move from one icon to another, the function name changes to reflect the function or group of functions represented by that icon.
3. Press the **Set** button once to activate the highlighted function, use the **Up** or **Down** buttons to select the function.
4. After selecting a function, use the **Up** or **Down** buttons to make optimum adjustments. The setting bar moves and the numeric value indicator changes to reflect your adjustments.
NOTE: The numeric value indicator is provided as a point of reference only and has nothing to do with a real measurement.
5. Press the **Menu** button once to return to the main menu to select another function or press twice to exit from the OSD.

Troubleshooting Tips

Before calling for service, check the information in this section to see if you can remedy any problems yourself. If you do need assistance, please contact Transduction.

Symptom	Check List	Solutions
No images on the screen. I cannot turn on the monitor.	Is the power cord connected properly?	Check the power cord connection and supply.
	If the power is on, reboot the computer to see the initial screen (the login screen), which can be seen.	If the initial screen (the login screen) appears, boot the computer in the applicable mode (the safe mode for Windows ME/2000/XP) and then change the frequency of the video card. Note: If the initial screen (the login screen) does not appear, contact TRANSDUCTION.
	There is no image on the screen. Is the power indicator on the monitor blinking at 1 second intervals?	The monitor is in PowerSaver mode. Press a key on the keyboard or move the mouse to activate the monitor and restore the image on the screen.
The screen shows strange colors or just black and white.	Is the screen displaying only one color as if looking at the screen through cellophane paper?	Check the signal cable connection. Make sure the video card is fully inserted in its slot.
	Have the screen colors become strange after running a program or due to a crash between applications?	Reboot the computer.
	Has the video card been set properly?	Set the video card by referring to the video card manual.
The screen suddenly has become unbalanced.	Have you changed the video card or the driver?	Adjust screen image position and size using the OSD.
	Have you adjusted the resolution or frequency to the monitor?	Native Resolution is 1024 x 768 @ 60Hz.
	The screen can be unbalanced due to the cycle of the video card signals. Readjust Position by referring to the OSD.	
The screen is out of focus or OSD cannot be adjusted.	Have you adjusted the resolution or frequency on the monitor?	Adjust the resolution and frequency of the video card. Native Resolution is 1024 x 768 @ 60Hz.
LED is blinking but no images on the screen.	Is the frequency properly adjusted when checking the Display Timing on the menu?	Adjust the frequency properly by referring to the video card manual. (The maximum frequency per resolution may differ from product to product.)
There are only 16 colors shown on the screen. The screen colors have changed after changing the video card.	Have the Windows colors been set properly?	For Windows ME/2000/XP: Set the colors properly at the Control Panel, Display, Settings.
	Has the video card been set properly?	Set the video card by referring to the video card manual.
There is a message that reads "Unrecognized monitor, Plug & Play (VESA DDC) monitor found".	Have you installed the monitor driver?	Install the monitor driver according to the Driver Installation Instructions.
	See the video card manual to see if the Plug & Play (VESA DDC) function can be supported.	Install the monitor driver according to the Driver Installation Instructions.

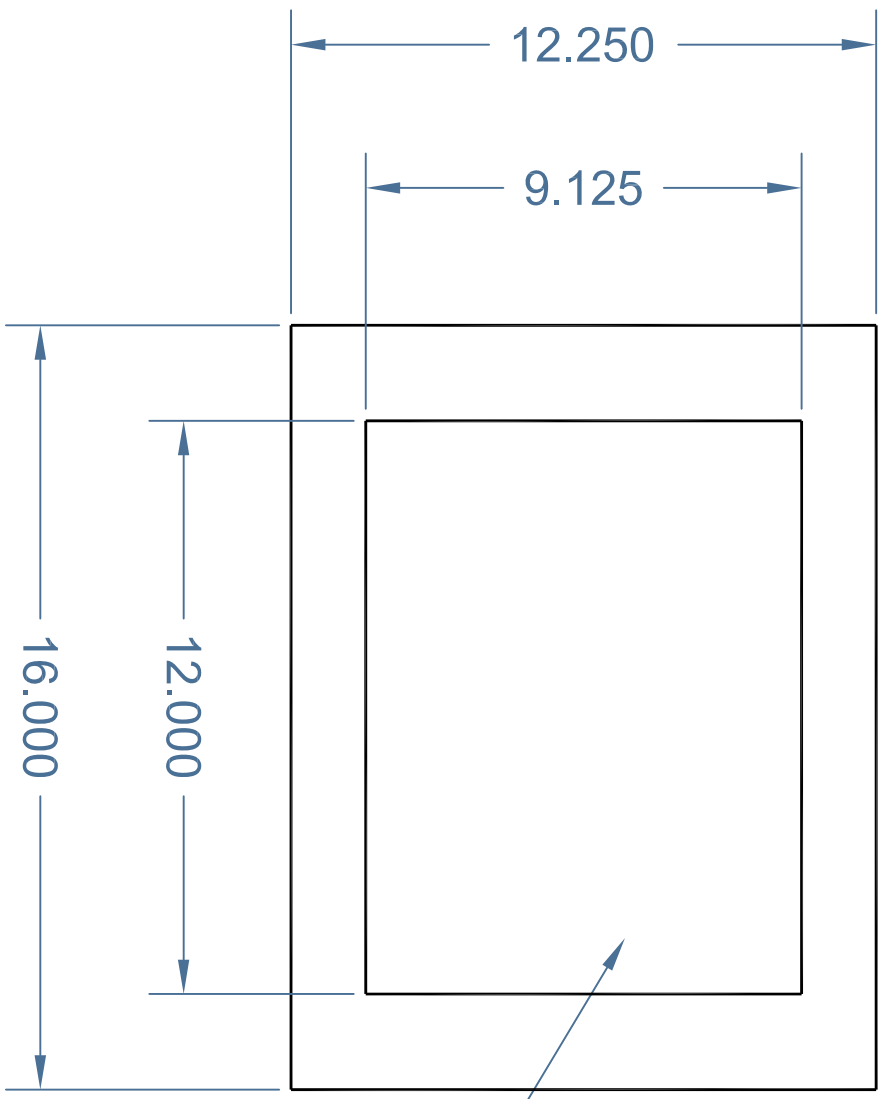
TR-LCD1500 Specifications

TR-LCD1500 Monitor		Notes
LCD Module	Size: 15.0 inch diagonal Viewable Image Size: 15.0 inch Active Display Area: 304.1mm (H) x 228.1mm (V) Native Resolution (Pixel Count): 1024 x 768 Pixel Pitch: 0.297mm Type: a-si TFT active matrix Viewing Angle (L/R/U/D): 70 / 70 / 60 / 65 Brightness: 250 cd/m ² Contrast: 300 : 1 Response Time: 25ms	
Synchronization	60 Hz	Automatically
Display Colors	16,194,277	Dependent on display card used.
Input Signal	RGB Analog	
Power	Supply: 12VDC external Consumption: 17.4W max (16.0 BL)	
Dimensions (W x D x H) / Weight	Rack mount: 18.96" x 3.6" x 12.25 (7U) / 11 lb 48.16cm x 9.14cm x 31.12cm / 5 kg Panel mount: 16.4" x 3.6" x 14" / 10.7 lb 41.66cm x 9.14cm x 35.56cm / 4.85 kg	
Environmental Considerations	Operating Temperature: 0°C ~ 50°C Humidity: 20% ~ 80%, non-condensing Storage Temperature: -20°C ~ 60°C Humidity: 5% ~ 90%, non-condensing	
Plug and Play Capability	This monitor can be installed on any Plug & Play compatible system. Interaction of the monitor and computer system will provide the best operating conditions and monitor settings. Monitor installation will proceed automatically.	
Dot Acceptability	TFT LCD panel is manufactured using advanced semiconductor technology with 99.999% precision for this product. RED, GREEN, BLUE and WHITE color pixels may seem to be bright sometimes, or some of the BLACK pixels may be seen. This is normal.	
Regulatory Approvals	UL	ULC TCO99

Note: Design and specifications are subject to change without prior notice.

TRANSDUCTION
5155 Spectrum Way Bldg 23
Mississauga, ON
L4W 5A1
Canada
905-625-1907

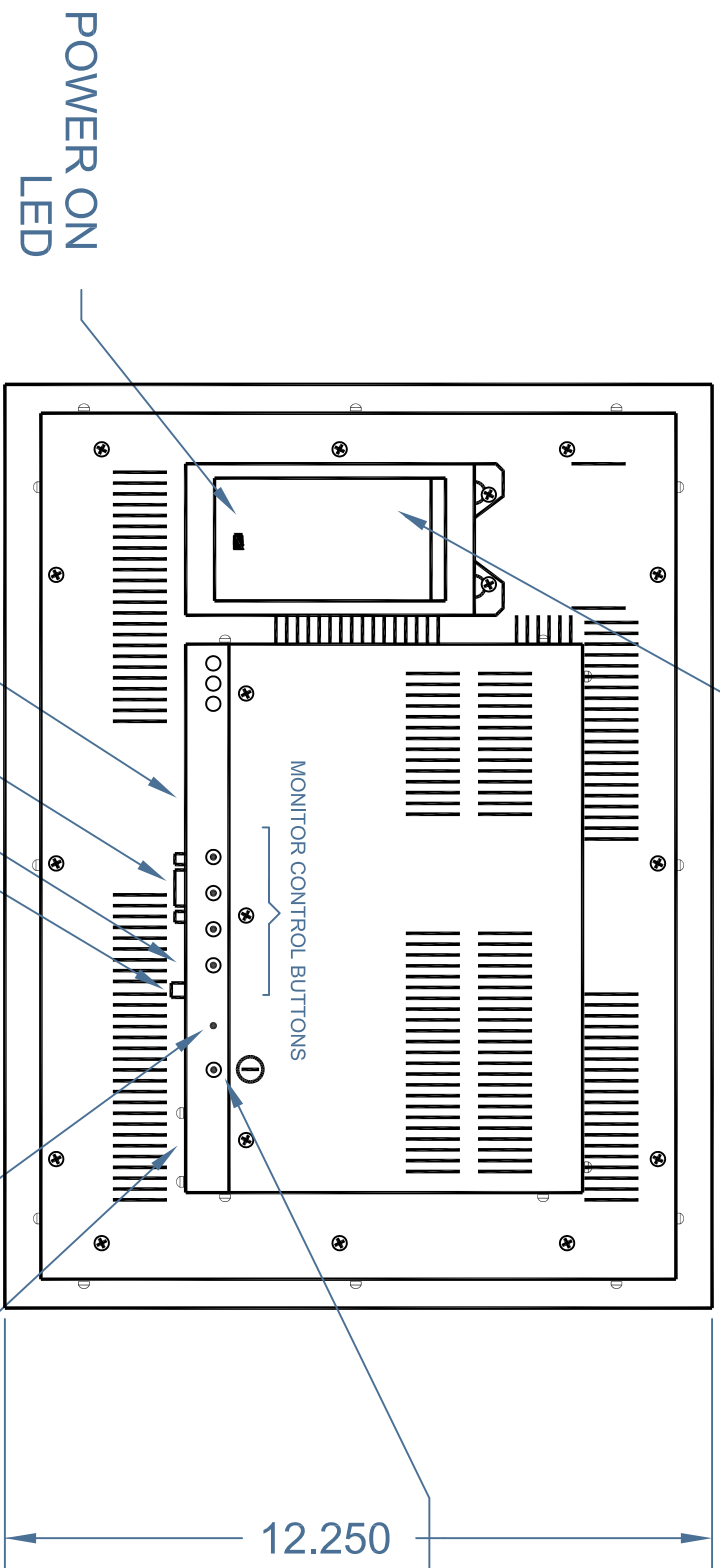
www.transduction.com



15" LCD MONITOR

FRONT VIEW

DATE	06-24-2005	DRAWN BY	B.G.	MODEL	TR-LCD1500
PRODUCT	PANEL MOUNT VERSION				
FINISH	CRINKLE BLACK POWDER PAINT			CHECKED BY	NTS
TITLE	LAYOUT	DRAWING No		B-382	
				REVISION	SCALE



DETACHABLE POWER SUPPLY

ON/OFF SWITCH BUTTON

12.250

OPTIONAL USB PORT FOR TOUCH SCREEN

MONITOR ON LED

16.000

POWER ON LED

12VDC INPUT

ANALOG RGB

(VGA) INPUT

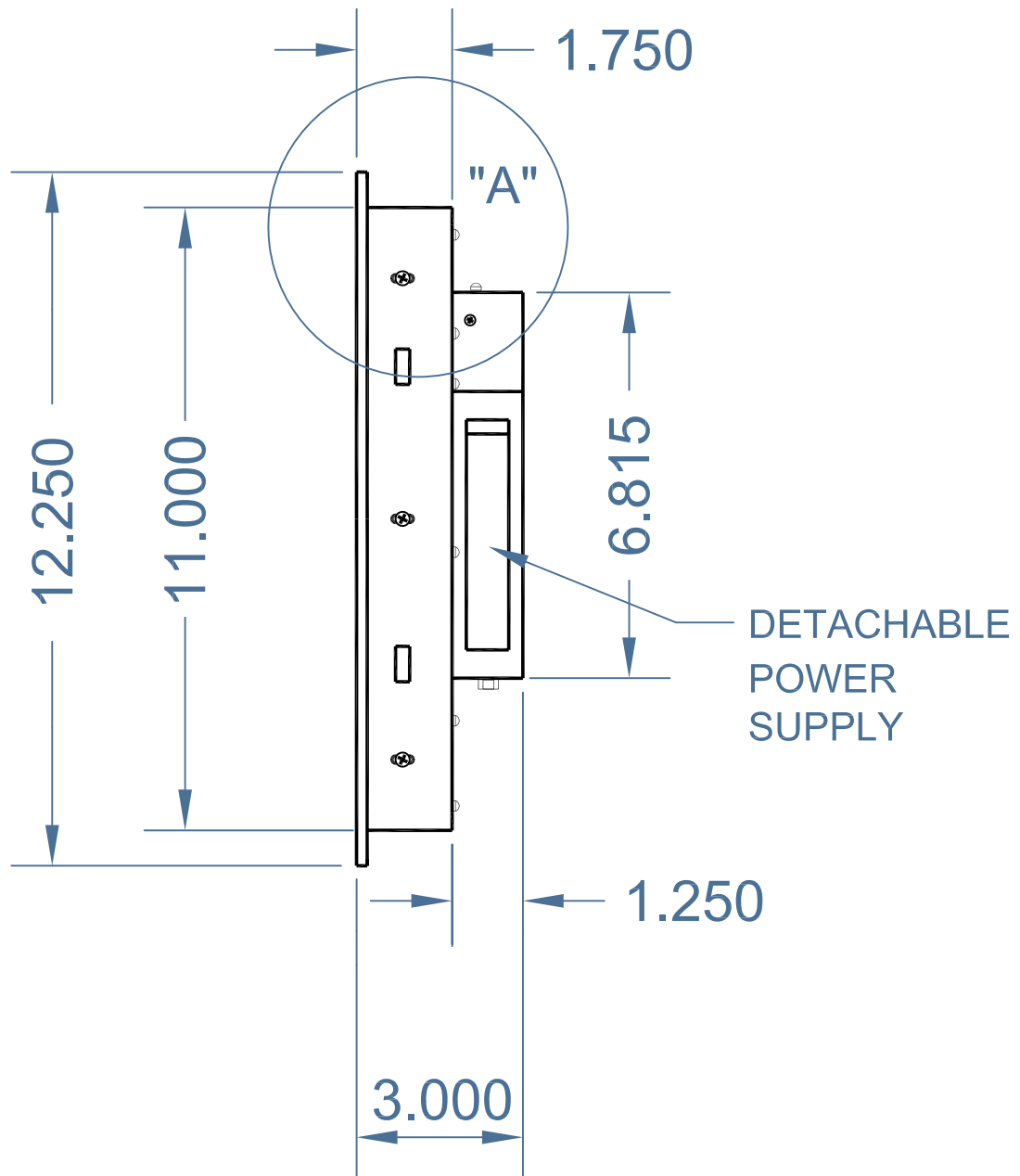
S-VIDEO INPUT

COMPOSITE

VIDEO INPUT

REAR VIEW

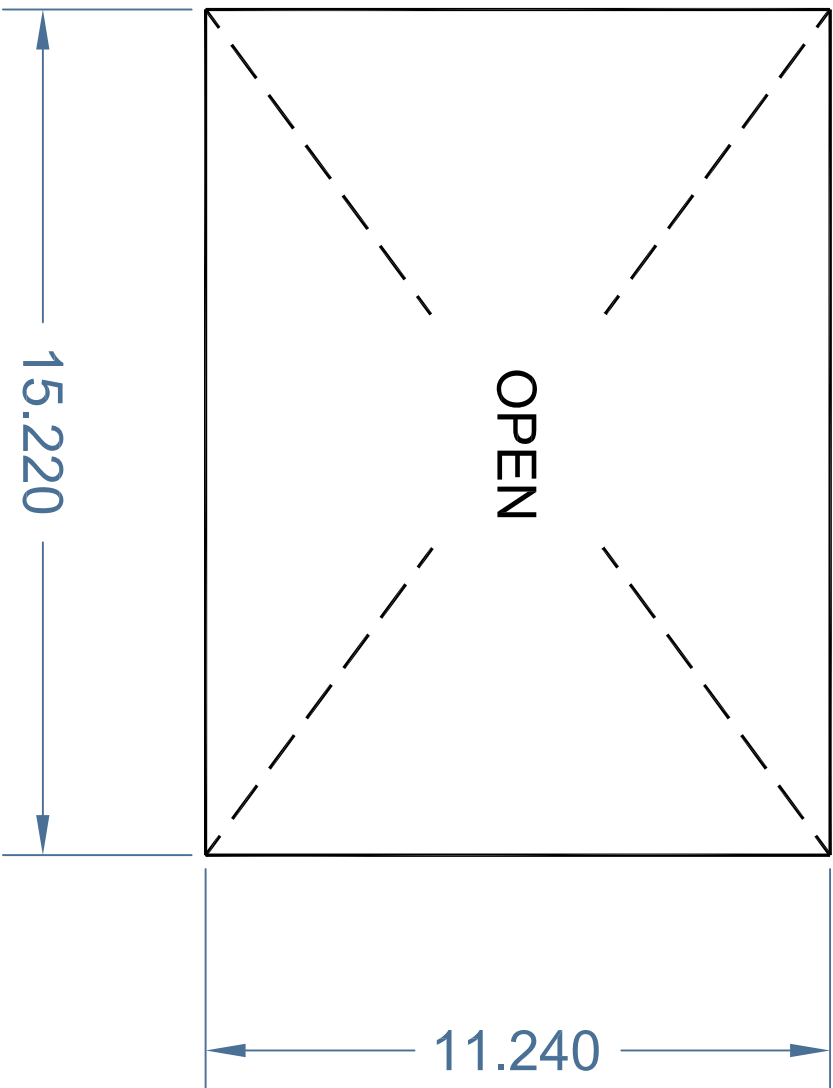
DATE	06-24-2005	DRAWN BY	B.G.	MODEL	TR-LCD1500
PRODUCT	PANEL MOUNT VERSION			REVISION	SCALE
FINISH	Transduction			CHECKED BY	NTS
TITLE	LAYOUT			DRAWING No	B-383



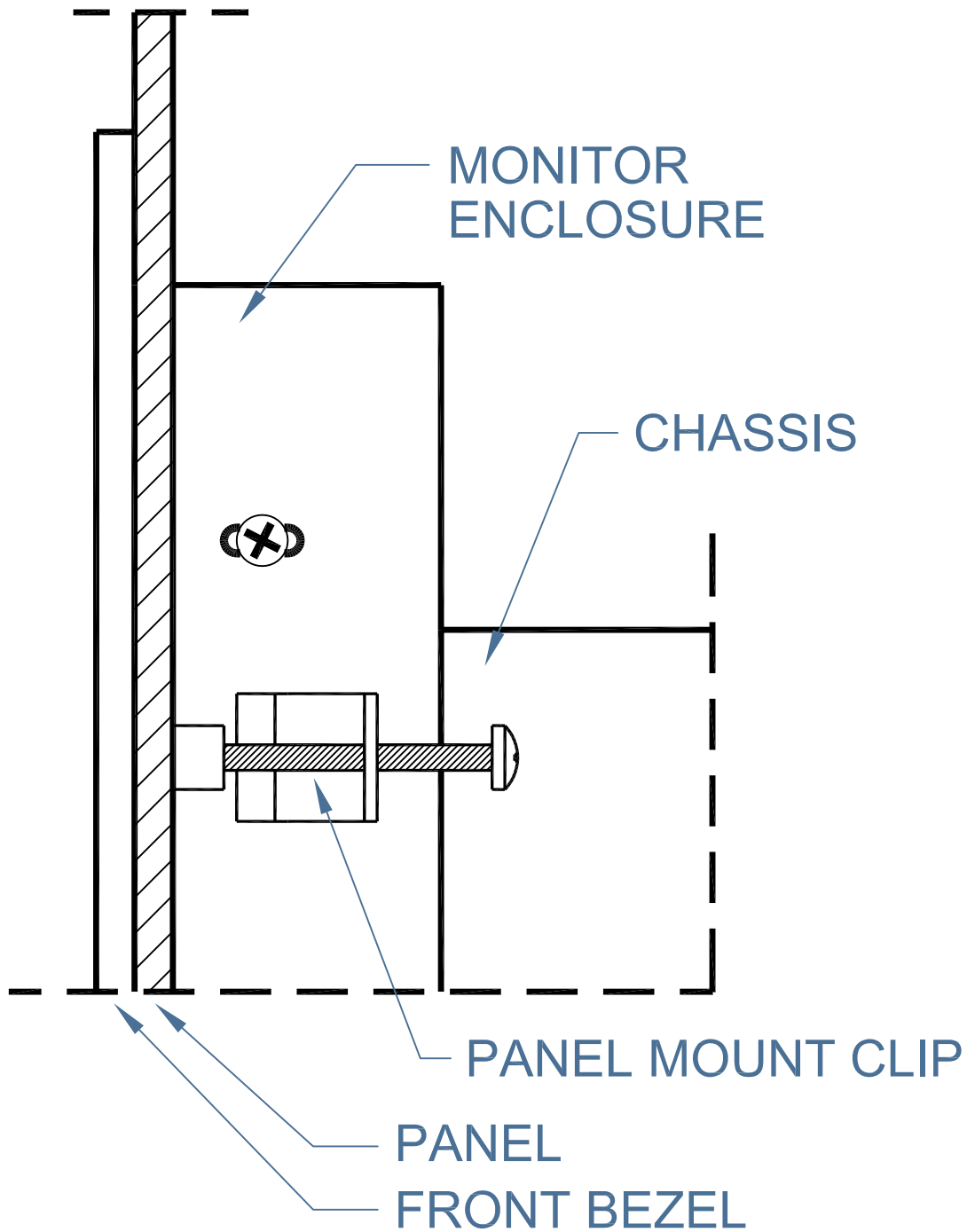
RIGHT SIDE VIEW

NOTE: FOR DETAIL "A" LOOK
DRAWING B-386

DATE 06-24-2005	DRAWN BY B. G.	MODEL TR-LCD1500
PRODUCT PANEL MOUNT VERSION		REVISION
FINISH CRINKLE BLACK POWDER PAINT	Transduction	CHECKED BY NTS
TITLE LAYOUT		DRAWING No B-384

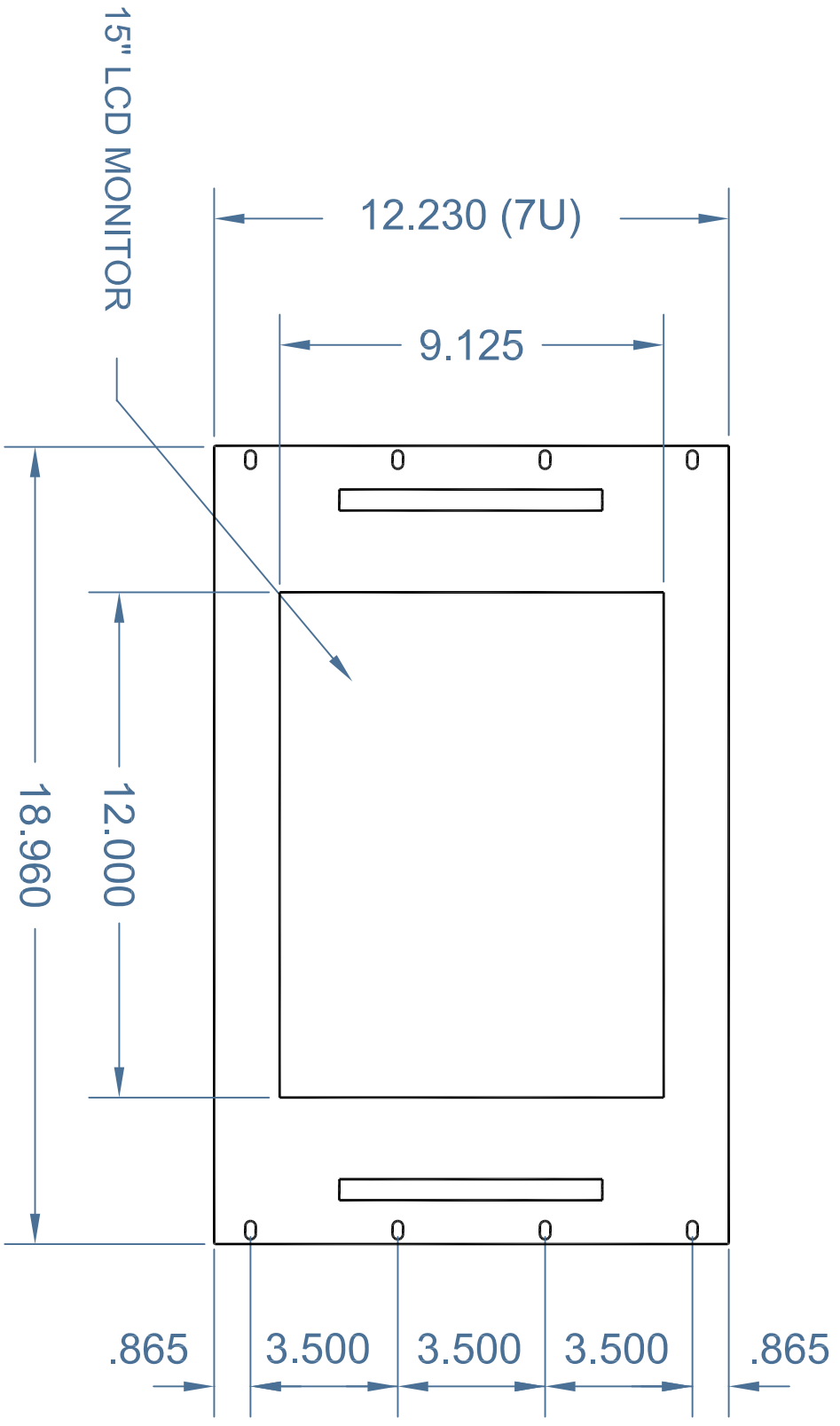


DATE	06-24-2005	DRAWN BY	B.G.	MODEL	TR-LCD1500
PRODUCT	PANEL MOUNT VERSION			REVISION	
FINISH	Transduction			CHECKED BY	NTS
TITLE	CUTOUT		DRAWING No	B-385	



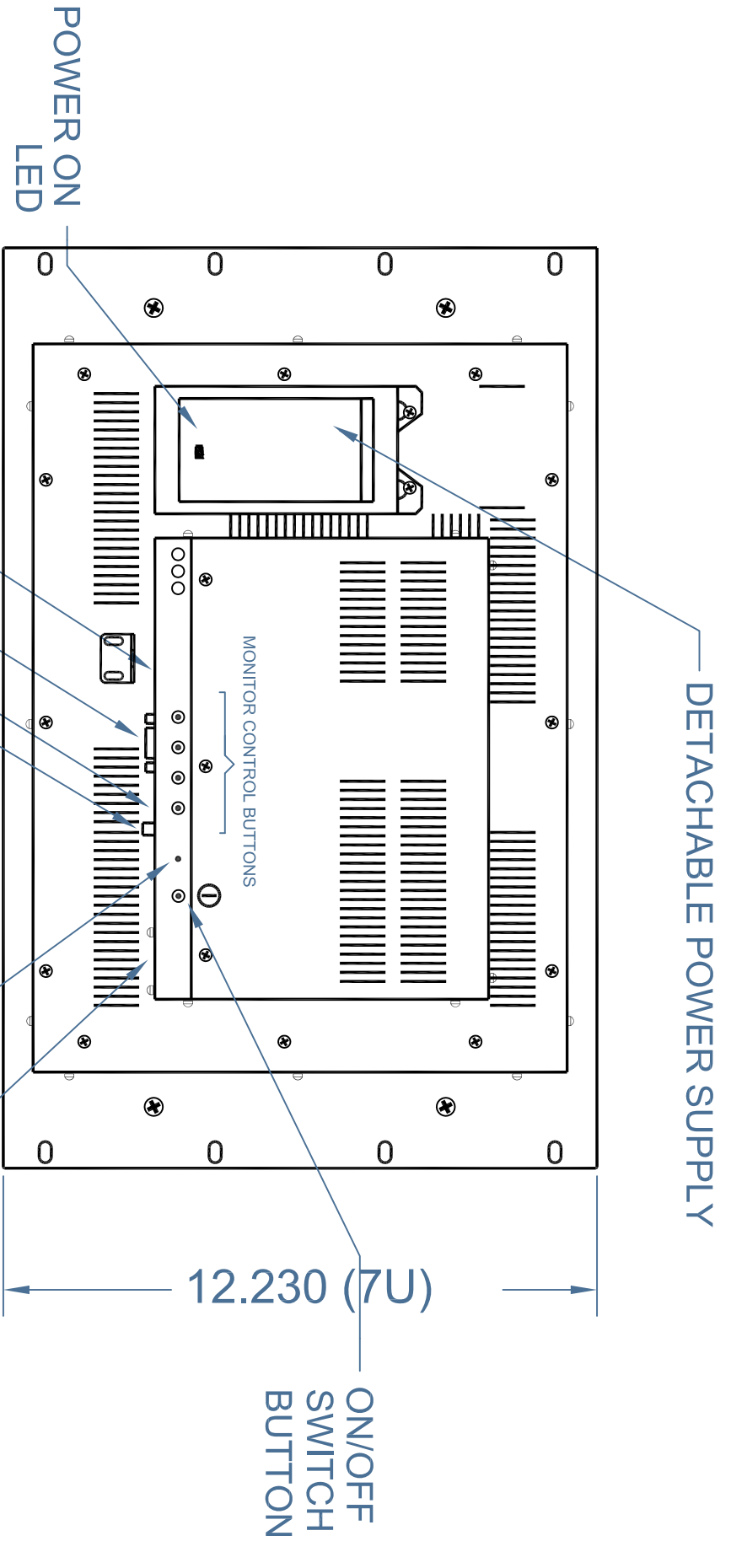
NOTE: CLIP ATTACHED FROM BEHIND AFTER CHASSIS PLACEMENT IN THE PANEL OPENING

DATE 06-24-2005	DRAWN BY B. G.	MODEL TR-LCD1500
PRODUCT PANEL MOUNT VERSION		REVISION
FINISH	Transduction	CHECKED BY NTS
TITLE DETAIL "A"	DRAWING No B-386	



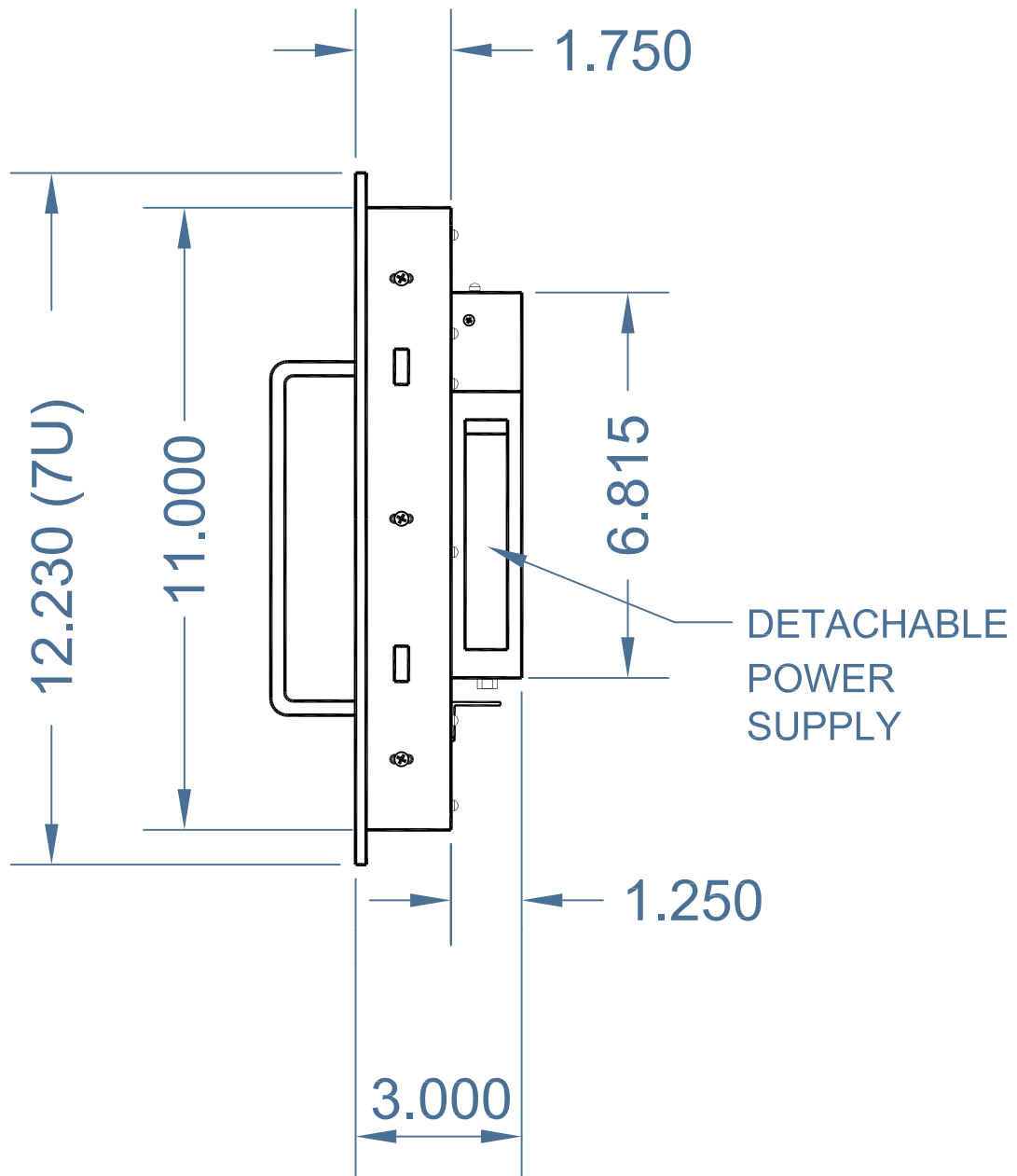
FRONT VIEW

DATE	06-24-2005	DRAWN BY	B.G.	MODEL	TR-LCD1500
PRODUCT	RACK MOUNT VERSION			REVISION	SCALE
FINISH	CRINKLE BLACK	Transduction		CHECKED BY	NTS
TITLE	POWDER PAINT	LAYOUT		DRAWING No	B-387



REAR VIEW

DATE	06-24-2005	DRAWN BY	B.G.	MODEL	TR-LCD1500
PRODUCT	RACK MOUNT VERSION			REVISION	SCALE
FINISH	Transduction			CHECKED BY	NTS
TITLE	LAYOUT			DRAWING No	B-388



RIGHT SIDE VIEW

DATE	DRAWN BY	MODEL		
06-24-2005	B. G.	TR-LCD1500		
PRODUCT		REVISION	SCALE	
RACK MOUNT VERSION			NTS	
FINISH	Transduction		CHECKED BY	
CRINKLE BLACK POWDER PAINT				
TITLE			DRAWING No	
LAYOUT			B-389	