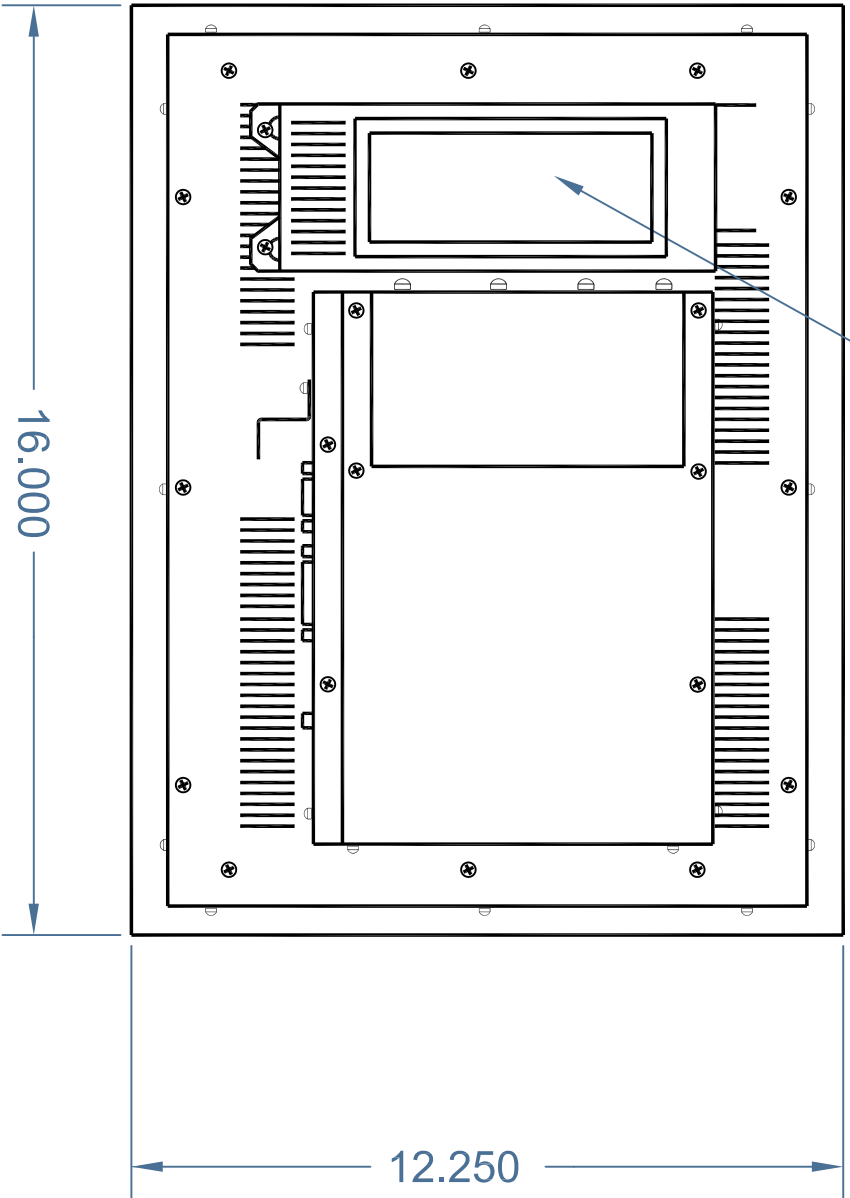


FRONT VIEW

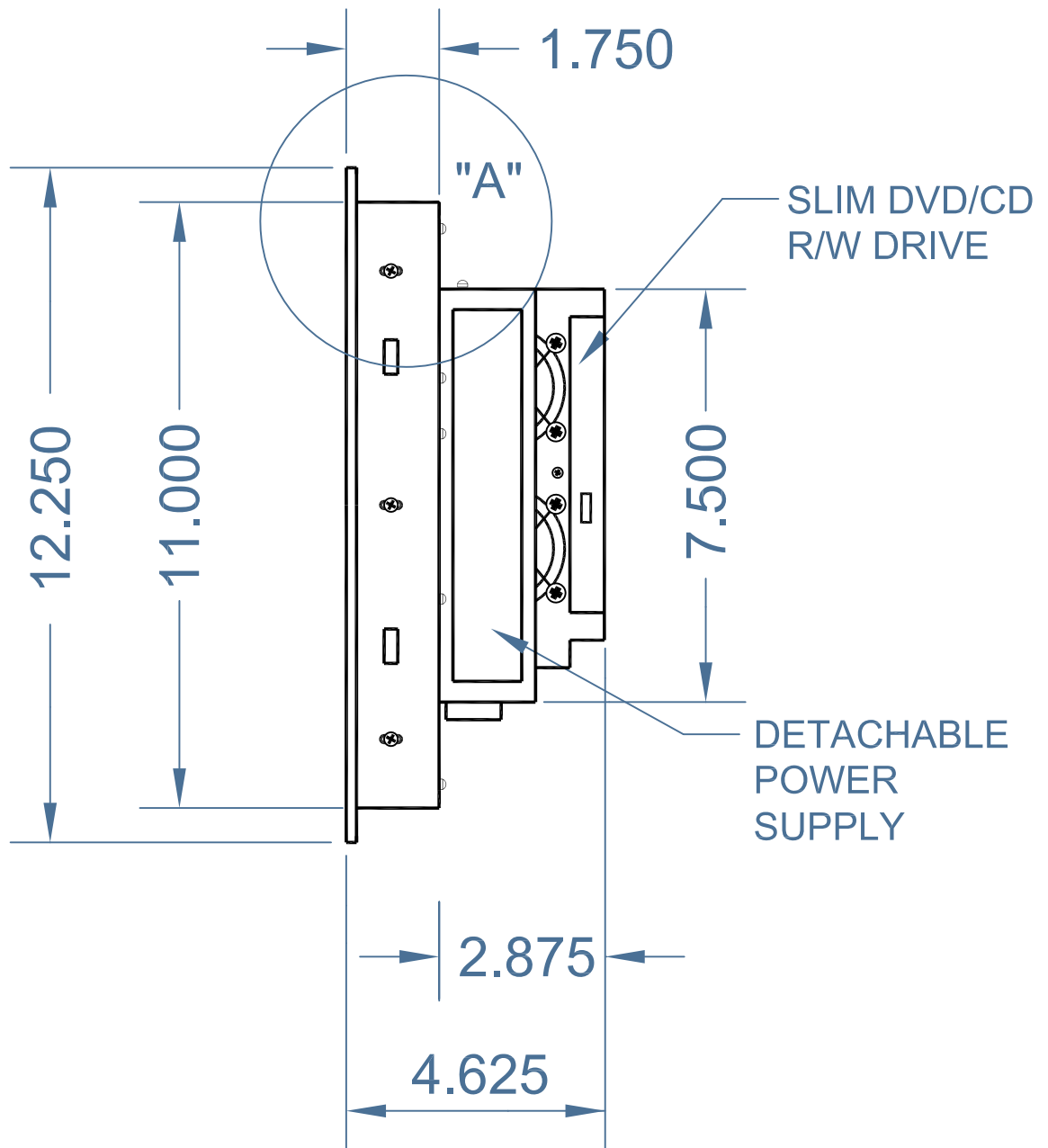
DATE	08-12-2013	DRAWN BY	B.G.	MODEL	TR-LCD1500-ITX-4.5/17
PRODUCT	PANEL MOUNT COMPUTER		REVISION	SCALE	NTS
FINISH	CRINKLE BLACK POWDER PAINT	Transduction	CHECKED BY	NTS	
TITLE	LAYOUT	DRAWING No	B-565		

DETACHABLE POWER SUPPLY



REAR VIEW

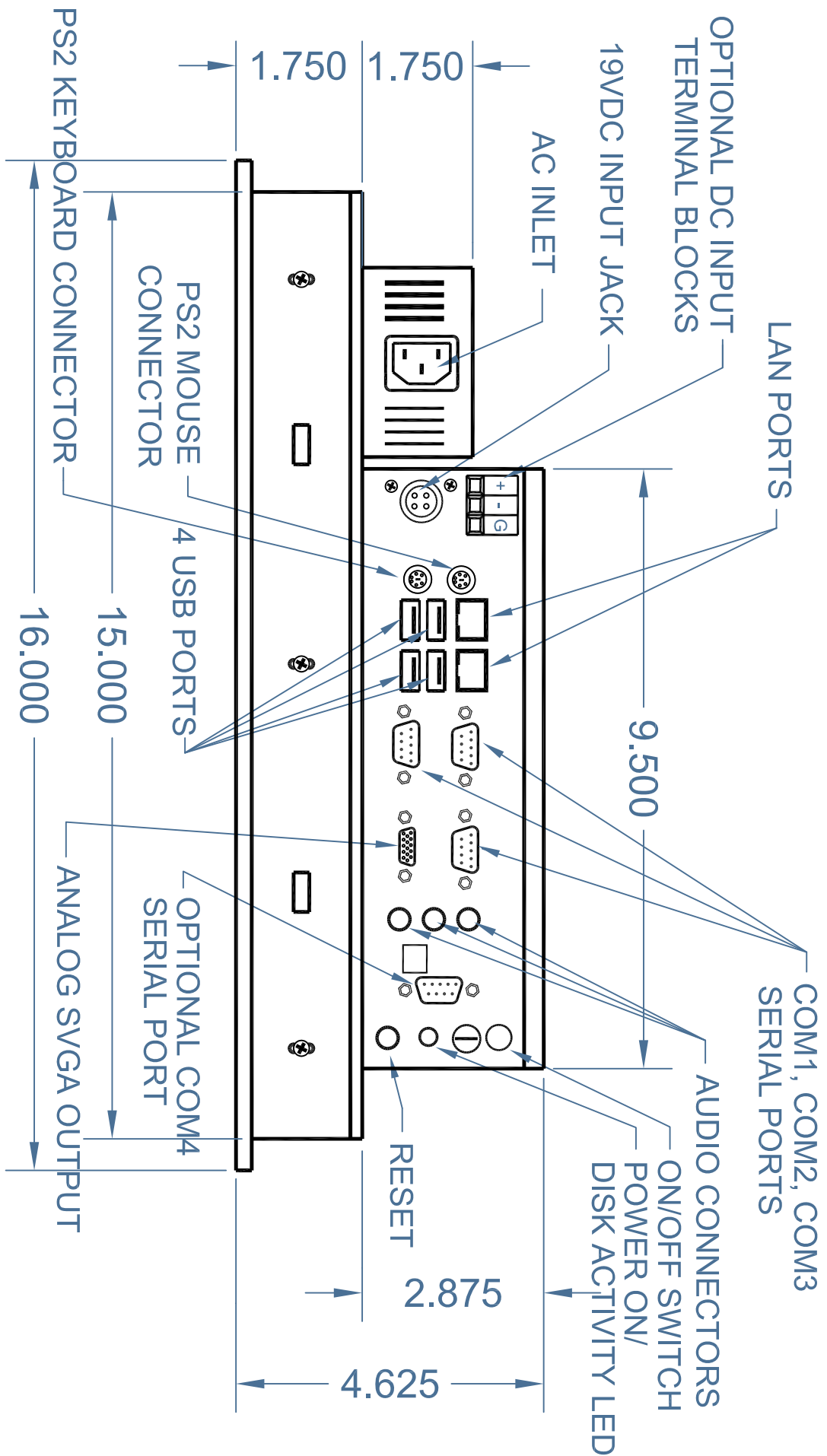
DATE	08-12-2013	DRAWN BY	B.G.	MODEL	TR-LCD1500-ITX-15/17	
PRODUCT	PANEL MOUNT COMPUTER				REVISION	
FINISH	Transduction				CHECKED BY	NTS
TITLE	LAYOUT				DRAWING NO	B-566



RIGHT SIDE VIEW

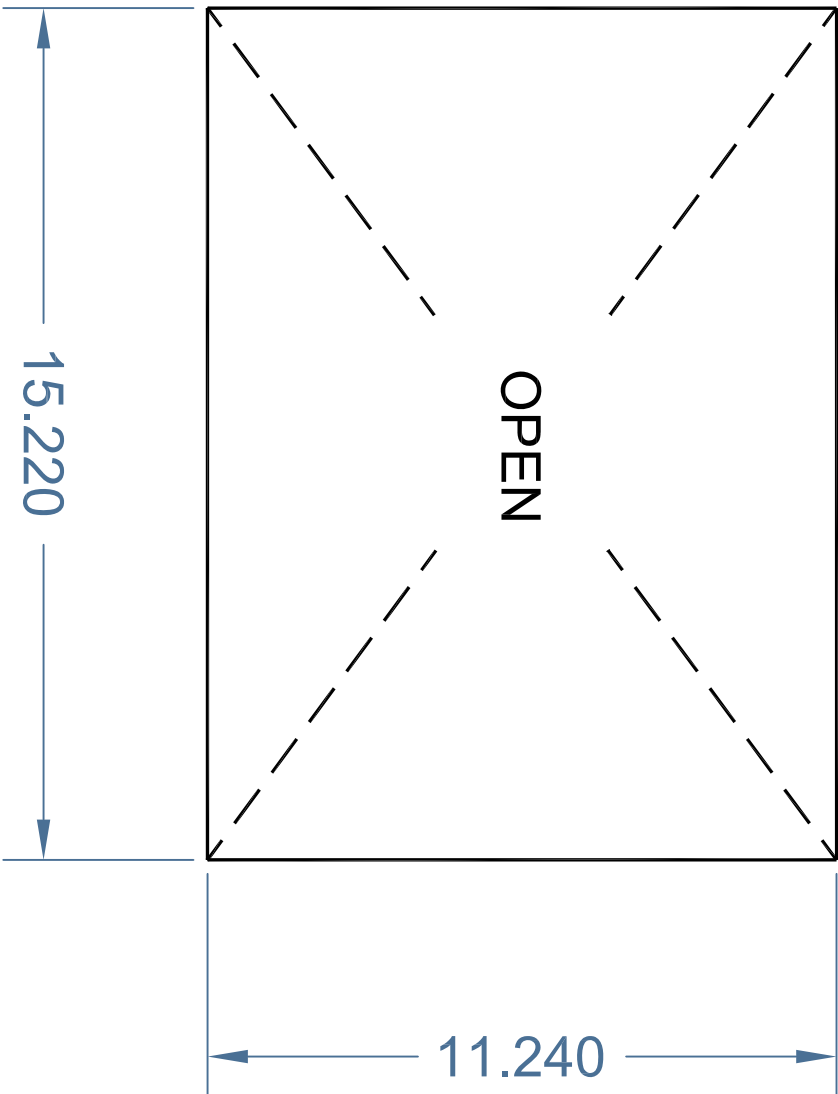
NOTE: FOR DETAIL "A" LOOK
DRAWING B-570

DATE 08-12-2013	DRAWN BY B. G.	MODEL TR-LCD1500-ITX-i5/i7	REVISION	SCALE
PRODUCT PANEL MOUNT COMPUTER			CHECKED BY	NTS
FINISH CRINKLE BLACK POWDER PAINT		Transduction		
TITLE LAYOUT			DRAWING No B-567	

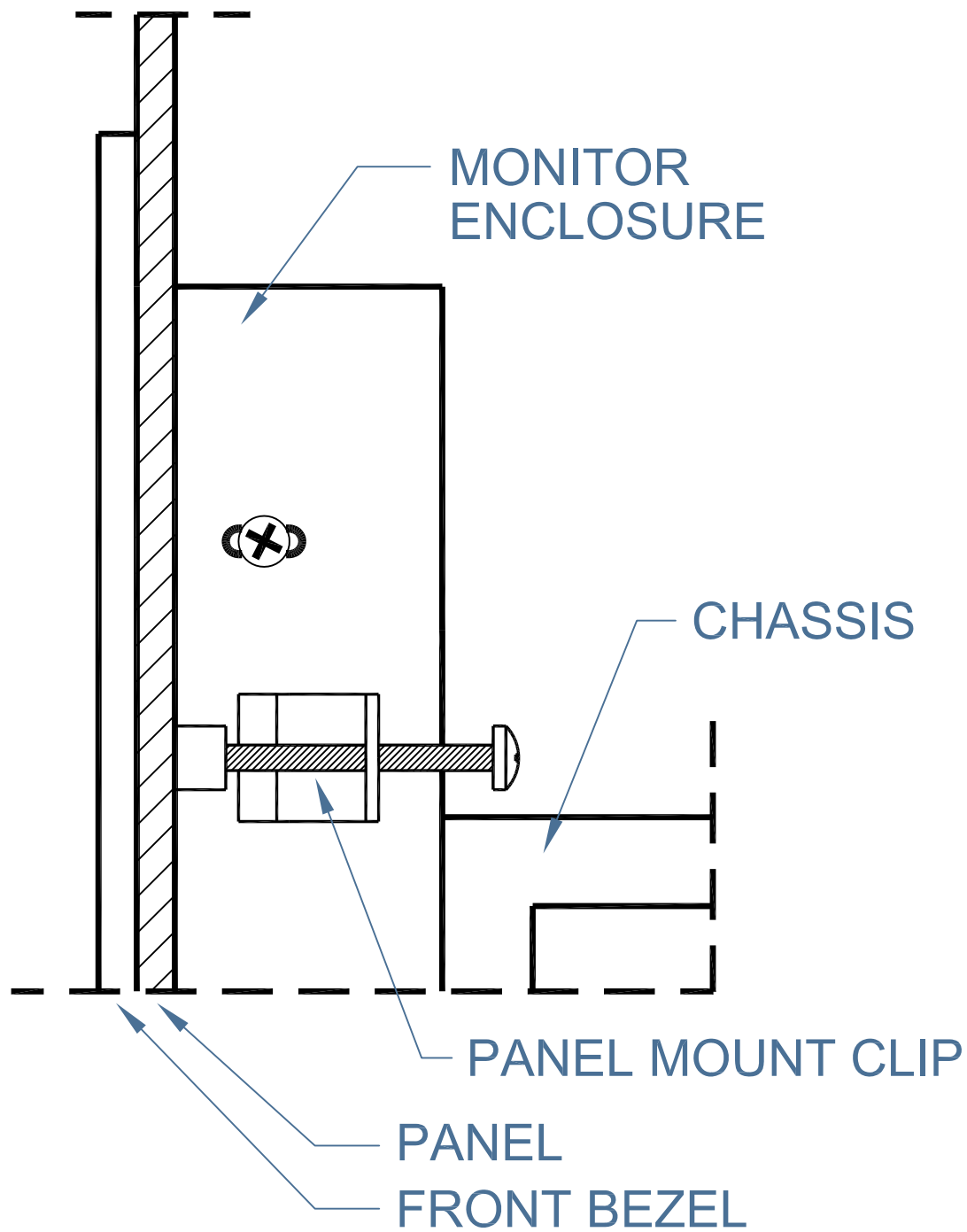


BOTTOM VIEW

DATE	08-12-2013	DRAWN BY	B.G.	MODEL	TR-LCD1500-ITX-15/17
PRODUCT	PANEL MOUNT COMPUTER		REVISION	SCALE	
FINISH	CRINKLE BLACK POWDER PAINT			CHECKED BY	NTS
TITLE	LAYOUT			DRAWING No	B-568

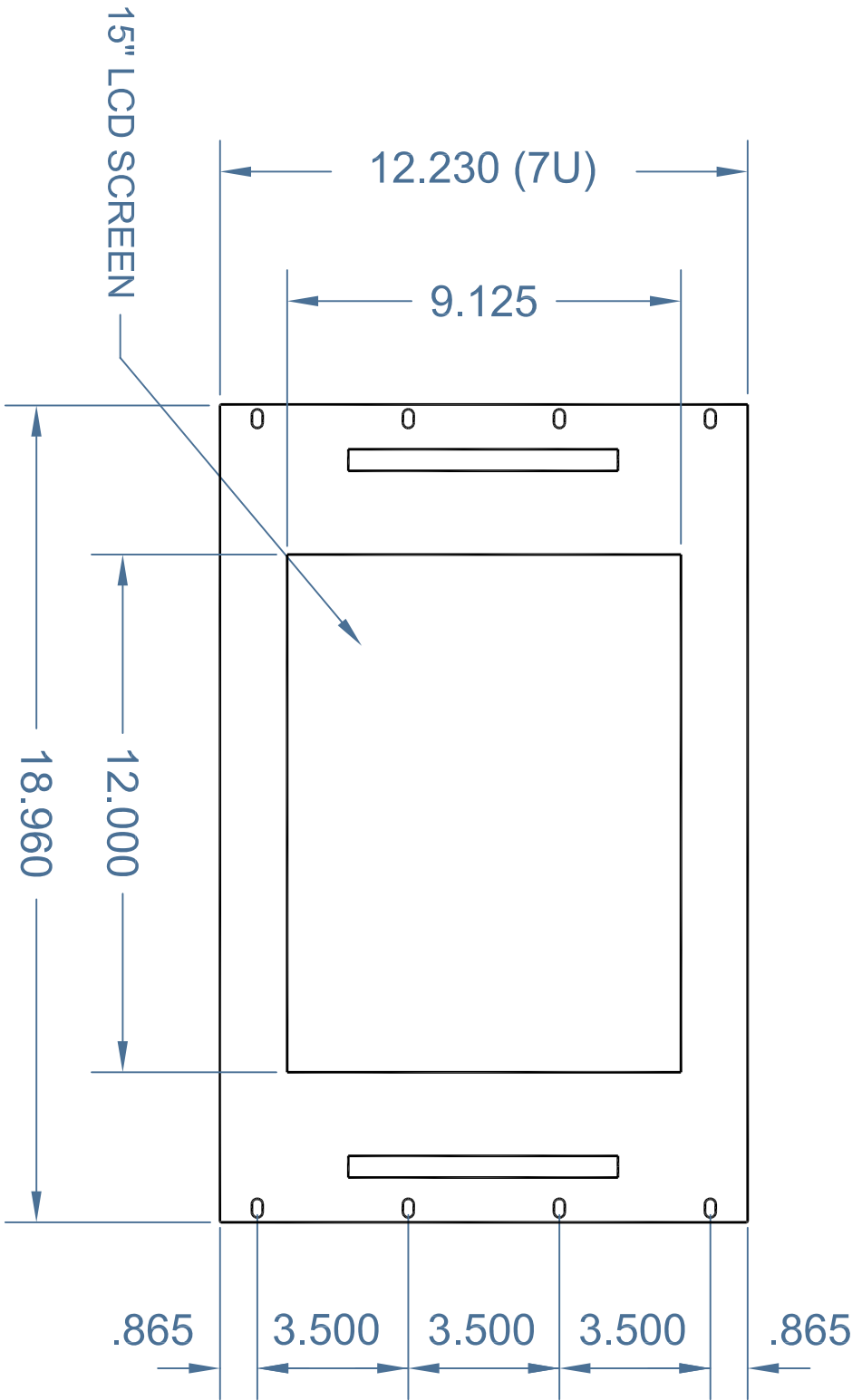


DATE	08-12-2013	DRAWN BY	B.G.	MODEL	TR-LCD1500-JTX-i5/i7
PRODUCT	PANEL MOUNT COMPUTER		REVISION	SCALE	
FINISH	Transduction		CHECKED BY	NTS	
TITLE	CUTOUT		DRAWING NO	B-569	



NOTE: CLIP ATTACHED FROM BEHIND AFTER CHASSIS PLACEMENT IN THE PANEL OPENING

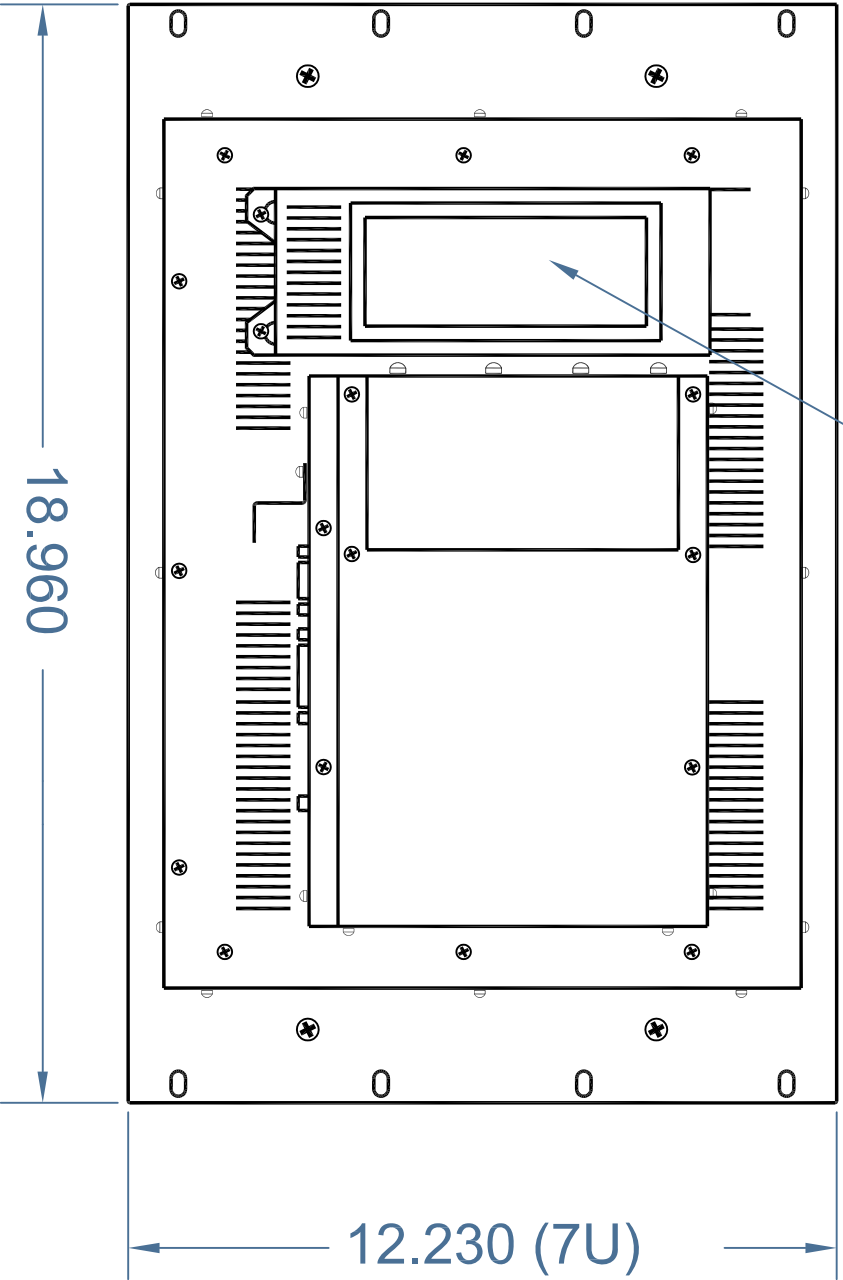
DATE 08-12-2013	DRAWN BY B. G.	MODEL TR-LCD1500-ITX-i5/i7	REVISION	SCALE
PRODUCT PANEL MOUNT COMPUTER			CHECKED BY	NTS
FINISH Transduction		DRAWING No B-570		
TITLE DETAIL "A"				



FRONT VIEW

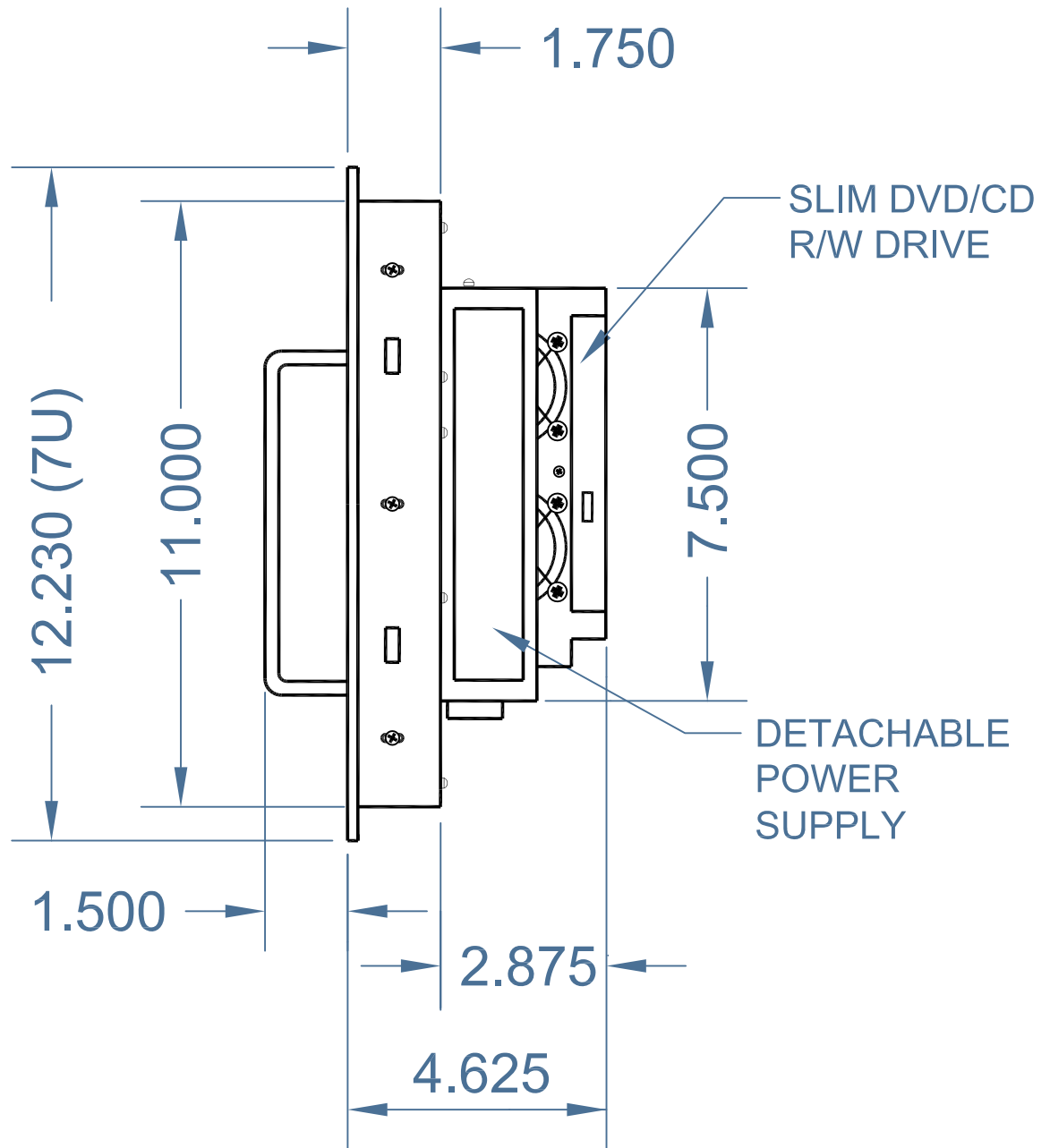
DATE	08-12-2013	DRAWN BY	B.G.	MODEL	TR-LCD1500-ITX-15/17	
PRODUCT	RACK MOUNT COMPUTER				REVISION	SCALE
FINISH	CRINKLE BLACK			CHECKED BY	NTS	
TITLE	LAYOUT				DRAWING No	B-571

DETACHABLE POWER SUPPLY



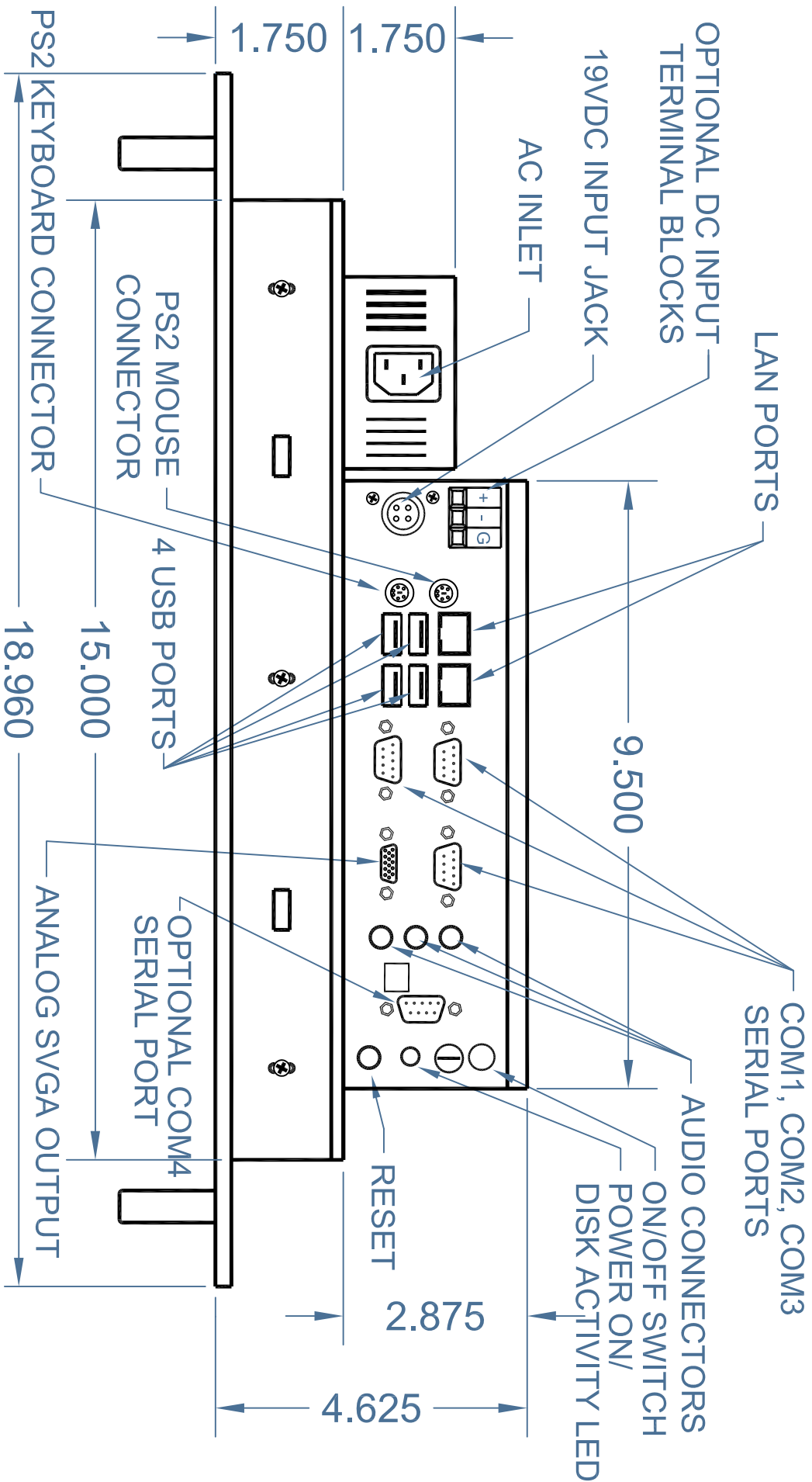
REAR VIEW

DATE	08-12-2013	DRAWN BY	B.G.	MODEL	TR-LCD1500-ITX-i5/i7
PRODUCT	RACK MOUNT COMPUTER			REVISION	
FINISH	Transduction			CHECKED BY	NTS
TITLE	LAYOUT			DRAWING No	B-572



RIGHT SIDE VIEW

DATE	DRAWN BY	MODEL		
08-12-2013	B. G.	TR-LCD1500-ITX-i5/i7		
PRODUCT		RACK MOUNT COMPUTER	REVISION	SCALE
FINISH		Transduction	CHECKED BY	NTS
CRINKLE BLACK POWDER PAINT				
TITLE			DRAWING No	
LAYOUT			B-573	



BOTTOM VIEW

DATE	08-12-2013	DRAWN BY	B.G.	MODEL	TR-LCD1500-TX-i5/i7
PRODUCT	RACK MOUNT COMPUTER		REVISION	SCALE	
FINISH	CRINKLE BLACK POWDER PAINT	Transduction		CHECKED BY	NTS
TITLE	LAYOUT		DRAWING No	B-574	