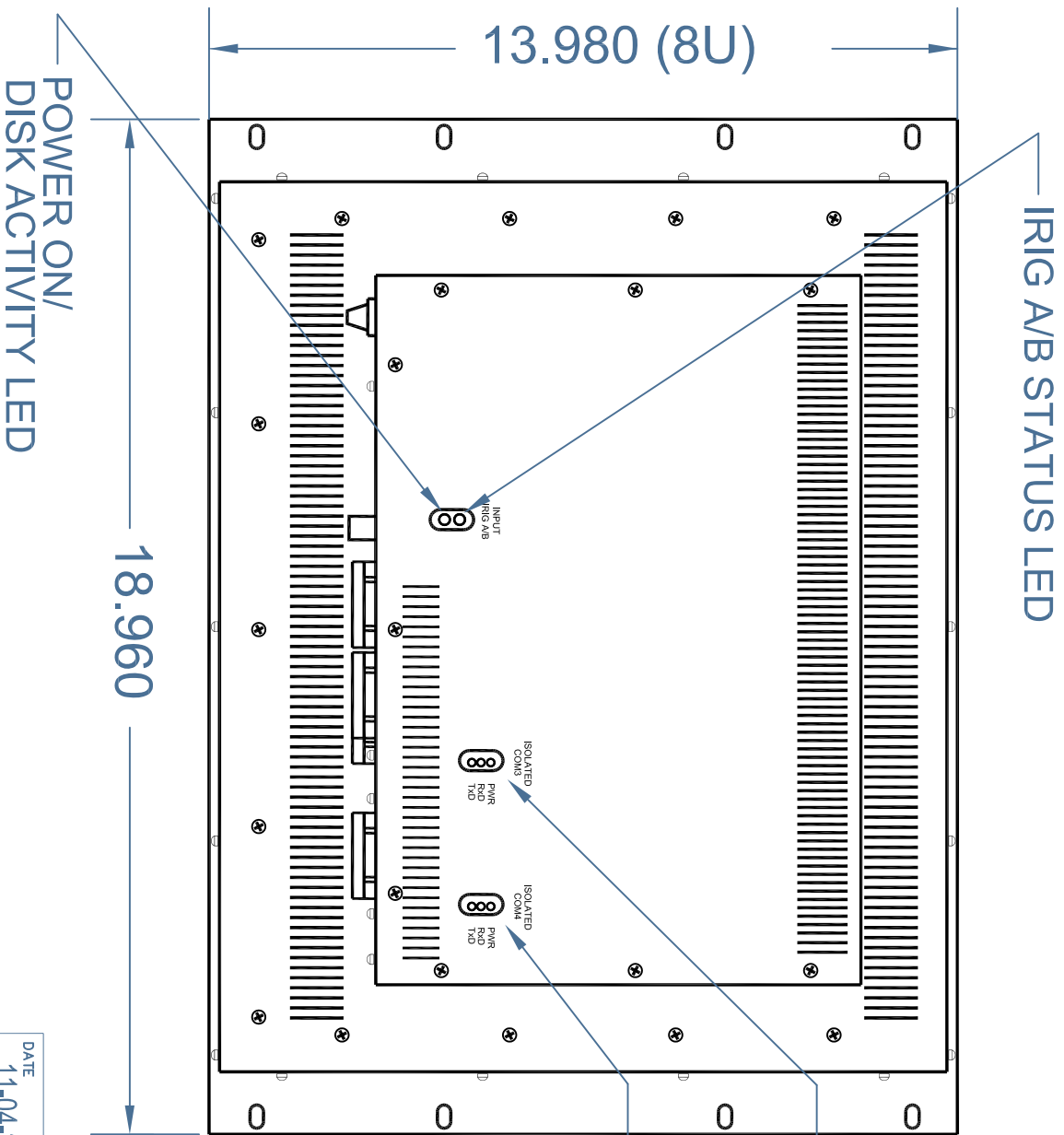


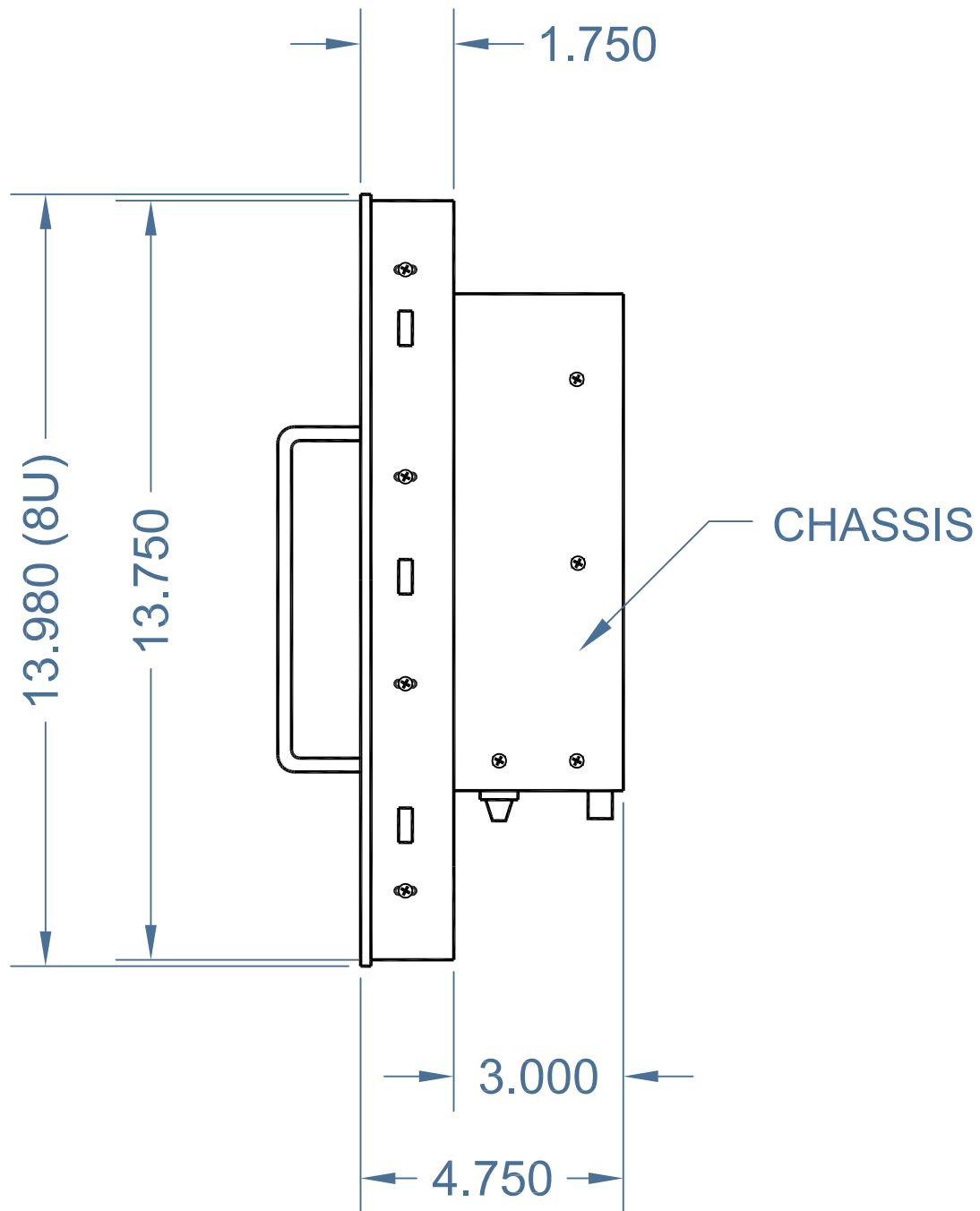
FRONT VIEW

DATE	11-04-2015	DRAWN BY	B.G.	MODEL	TR-5197
PRODUCT	RACK MOUNT VERSION			REVISION	0
FINISH	CRINKLE BLACK POWDER PAINT	Transduction		CHECKED BY	NTS
TITLE	LAYOUT			DRAWING No	B-653
SCALE	NTS				



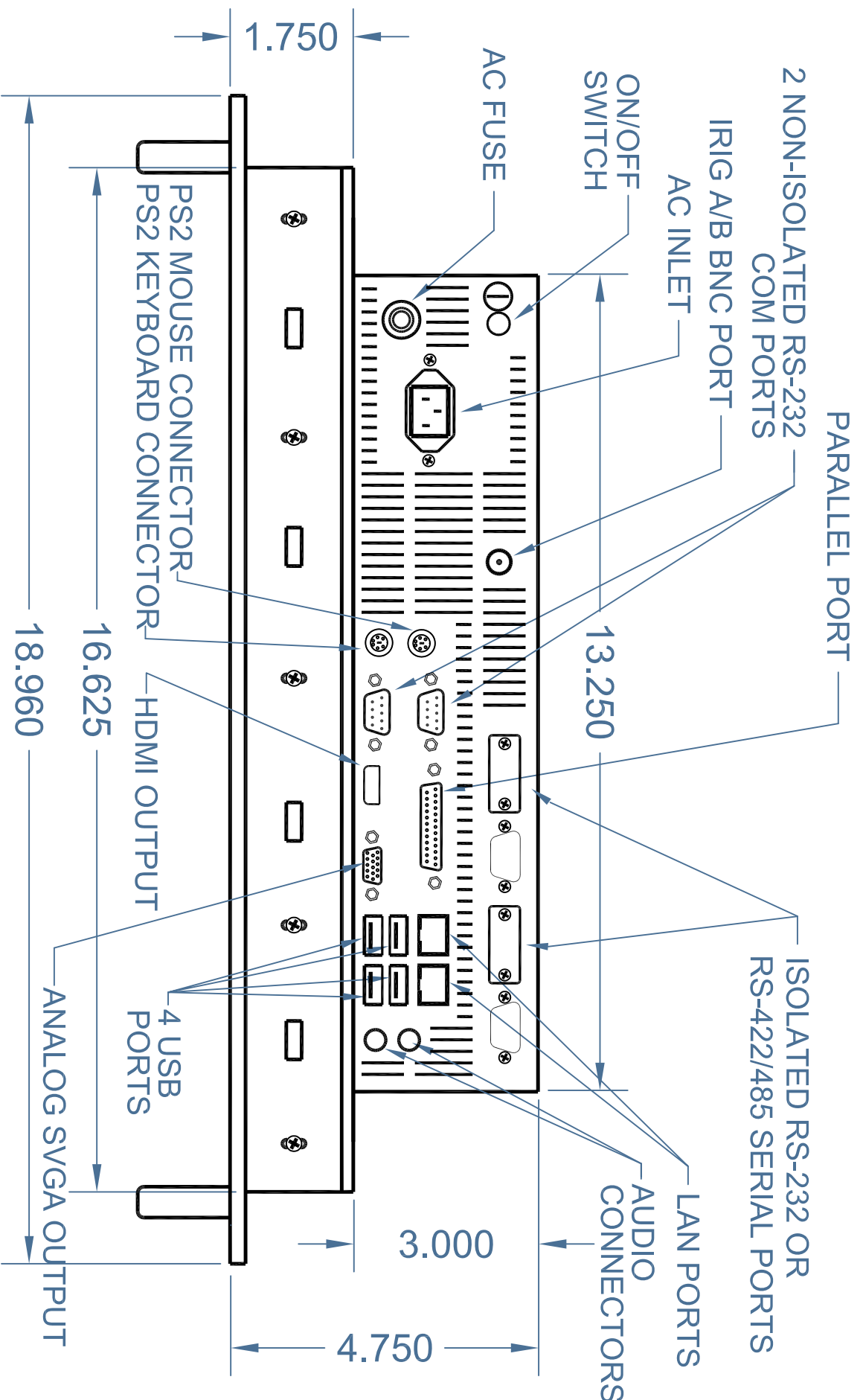
REAR VIEW

DATE	11-04-2015	DRAWN BY	B.G.	MODEL	TR-5197
PRODUCT	RACK MOUNT VERSION			REVISION	0
FINISH	CRINKLE BLACK POWDER PAINT	Transduction		CHECKED BY	NTS
TITLE	LAYOUT			DRAWING No	B-654
SCALE	NTS				



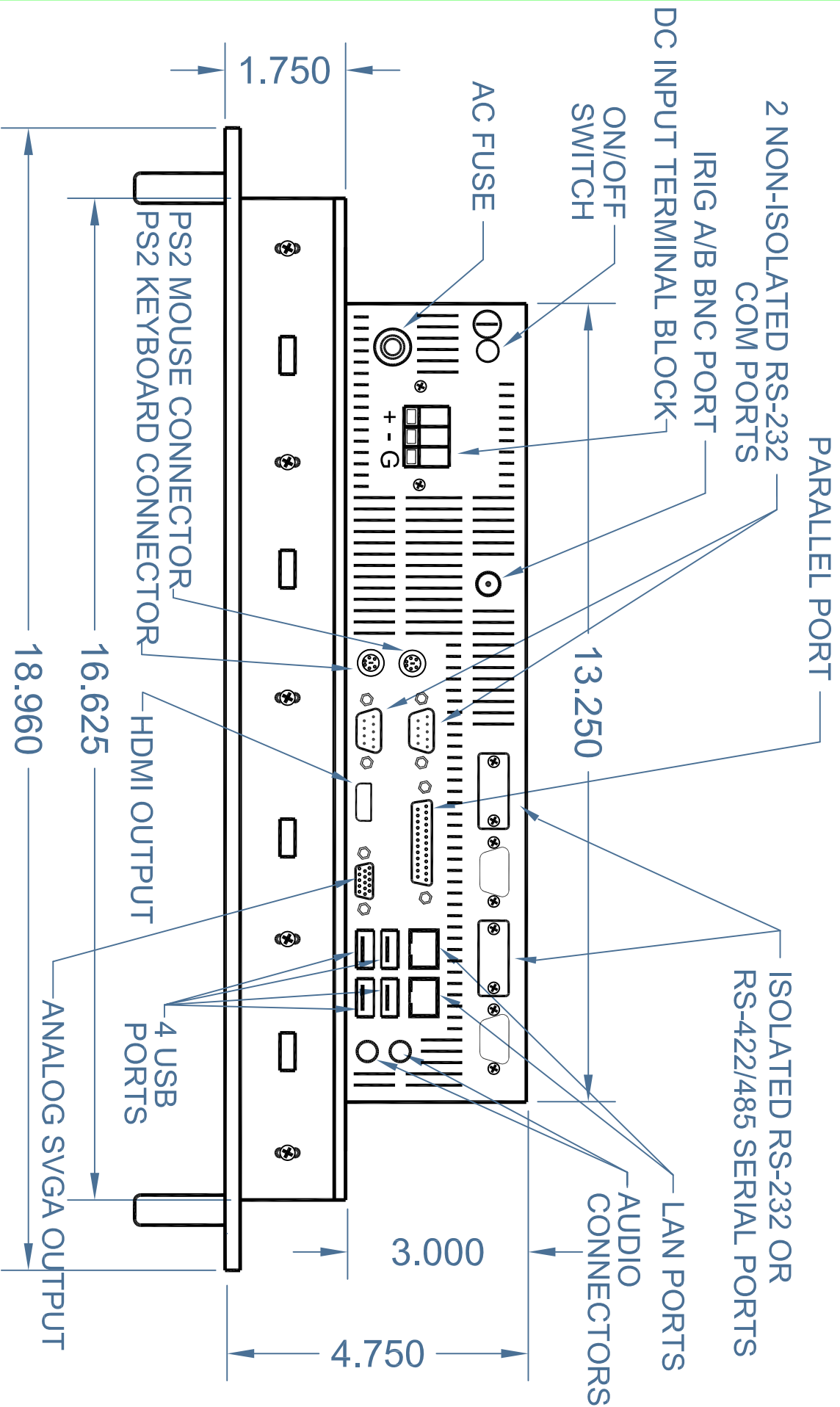
RIGHT SIDE VIEW

DATE 11-04-2015	DRAWN BY B.G.	MODEL TR-5197		
PRODUCT RACK MOUNT VERSION			REVISION 0	SCALE NTS
FINISH CRINKLE BLACK POWDER PAINT		Transduction		CHECKED BY
TITLE LAYOUT				DRAWING No B-655



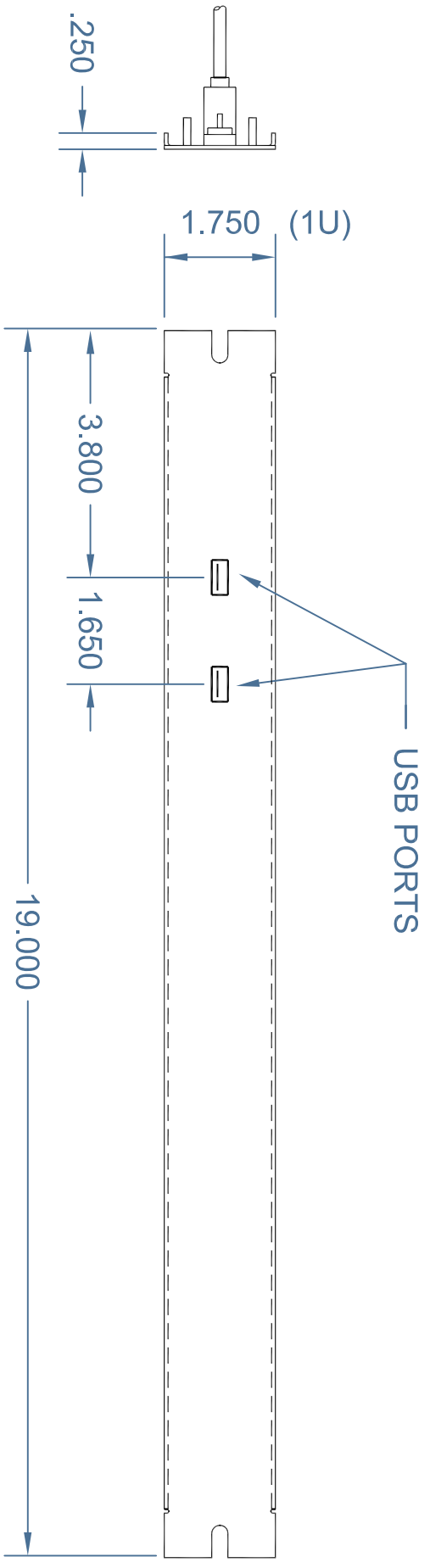
BOTTOM VIEW

DATE	11-04-2015	DRAWN BY	B.G.	MODEL	TR-5197
PRODUCT	RACK MOUNT VERSION			REVISION	0
FINISH	CRINKLE BLACK POWDER PAINT	Transduction		CHECKED BY	NTS
TITLE	LAYOUT	DRAWING No	B-656		
SCALE	NTS				



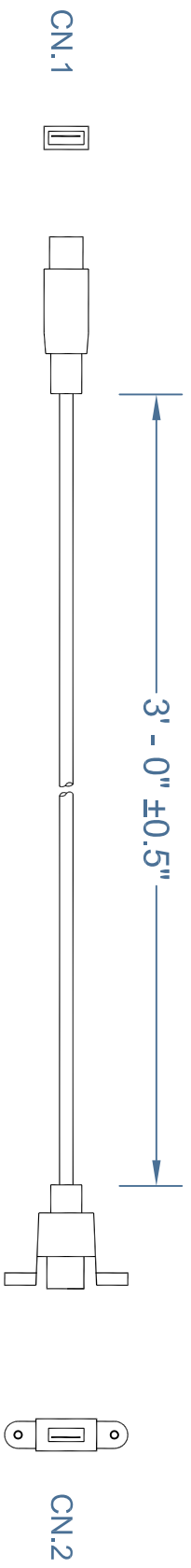
BOTTOM VIEW

DATE	11-04-2015	DRAWN BY	B.G.	MODEL	TR-5197
PRODUCT	RACK MOUNT VERSION			REVISION	0
FINISH	CRINKLE BLACK POWDER PAINT	Transduction		CHECKED BY	NTS
TITLE	LAYOUT			DRAWING No	B-657
DC INPUT OPTION					



SIDE VIEW

FRONT VIEW



TWO USB CABLES
MOUNTED ON THE PLATE

DATE	02-01-2010	DRAWN BY	B.G.	MODEL	1U USB FILLER
FINISH	SANDTEX BLACK PAINT	CHECKED BY	Transduction	REVISION	0
TITLE	LAYOUT		DRAWING No	B-436A	
	TR-RM-USB PLATE			SCALE	NTS