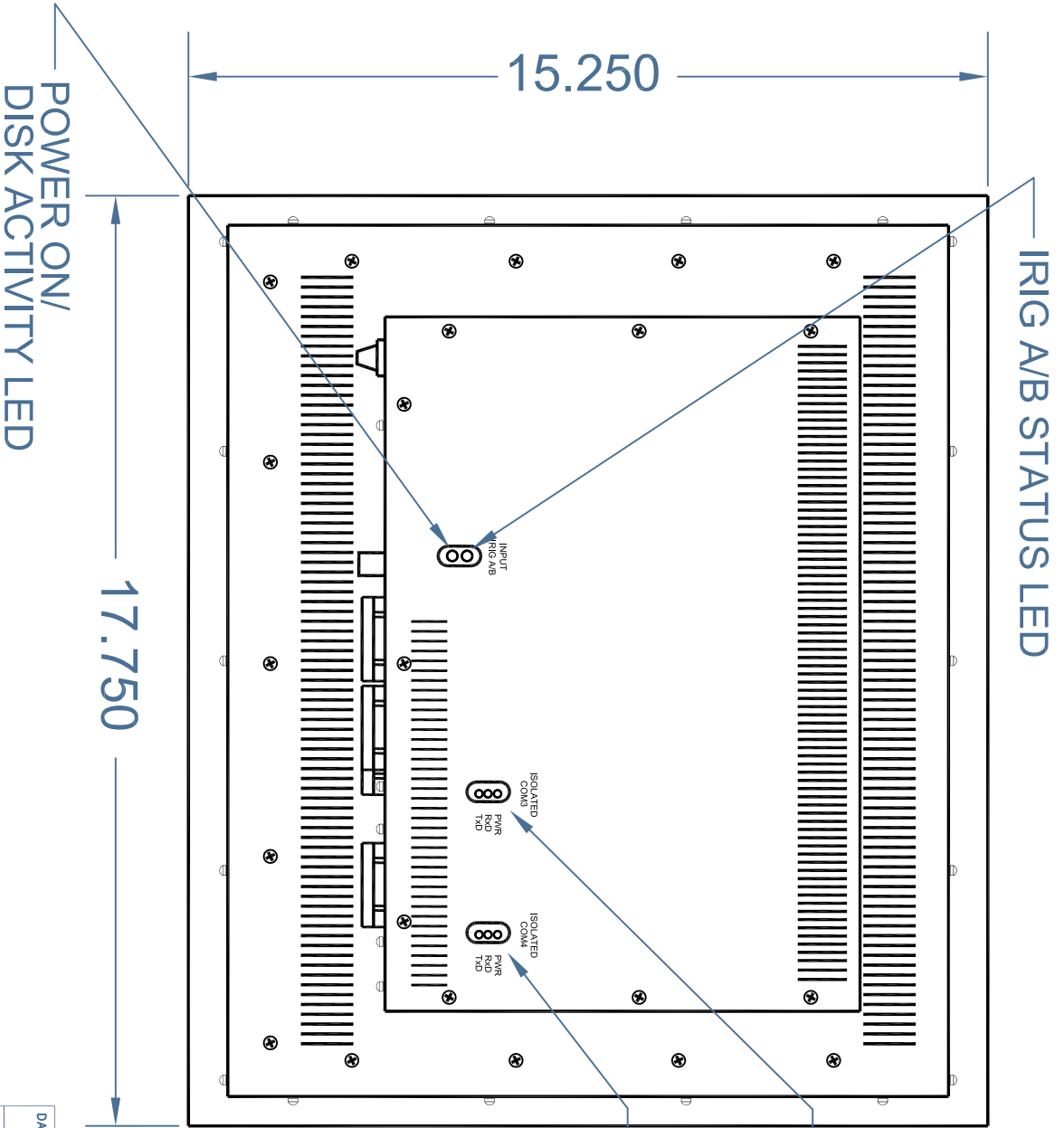


FRONT VIEW

DATE	11-04-2015	DRAWN BY	B.G.	MODEL	TR-5197
PRODUCT	PANEL MOUNT VERSION			REVISION	0
FINISH	CRINKLE BLACK POWDER PAINT	Transaction		CHECKED BY	NTS
TITLE	LAYOUT	DRAWING No	B-646		

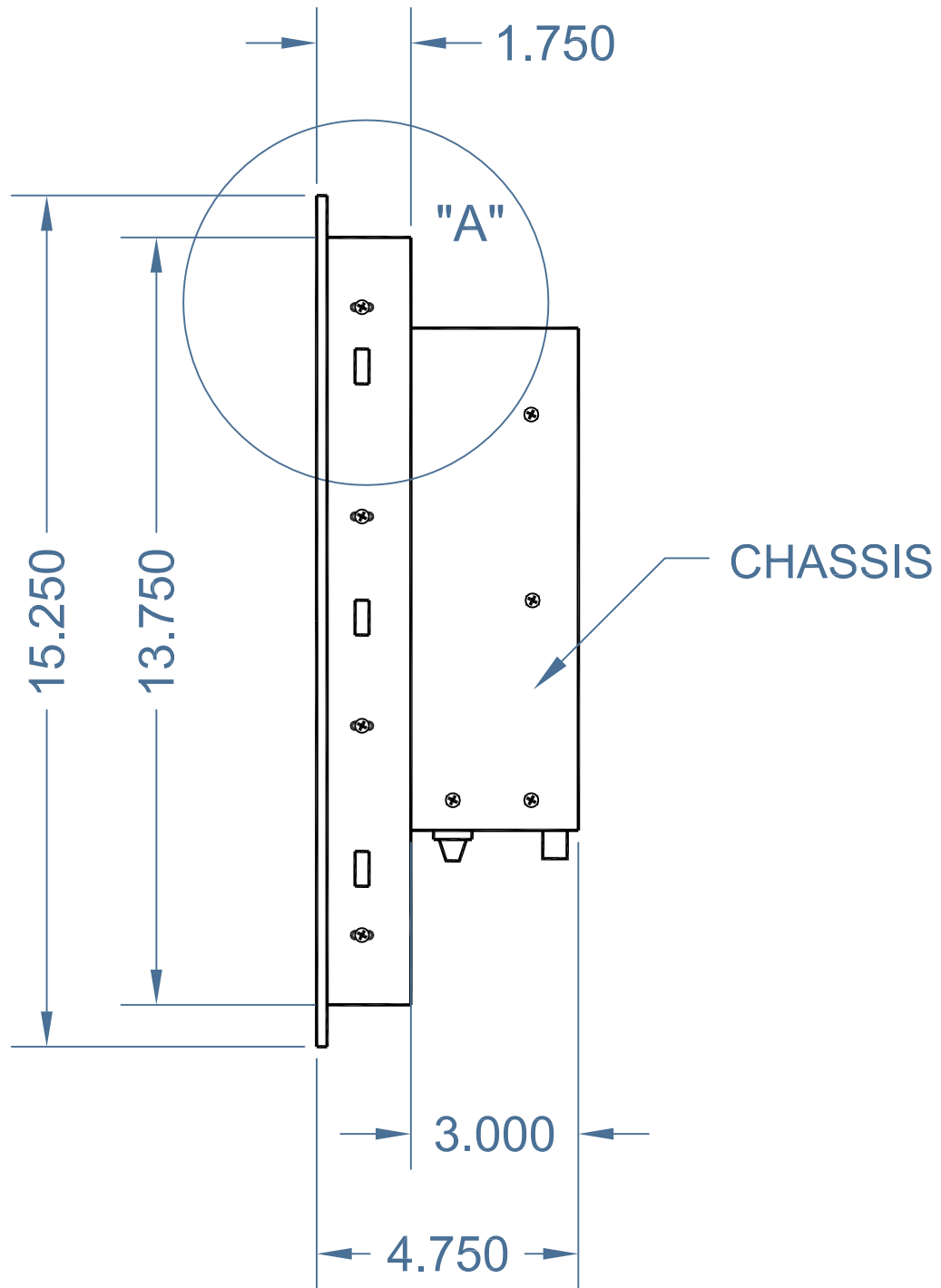


REAR VIEW

ISOLATED COM3 SERIAL PORT
POWER, RXD, TXD
STATUS LEADS

ISOLATED COM4 SERIAL PORT
POWER, RXD, TXD
STATUS LEADS

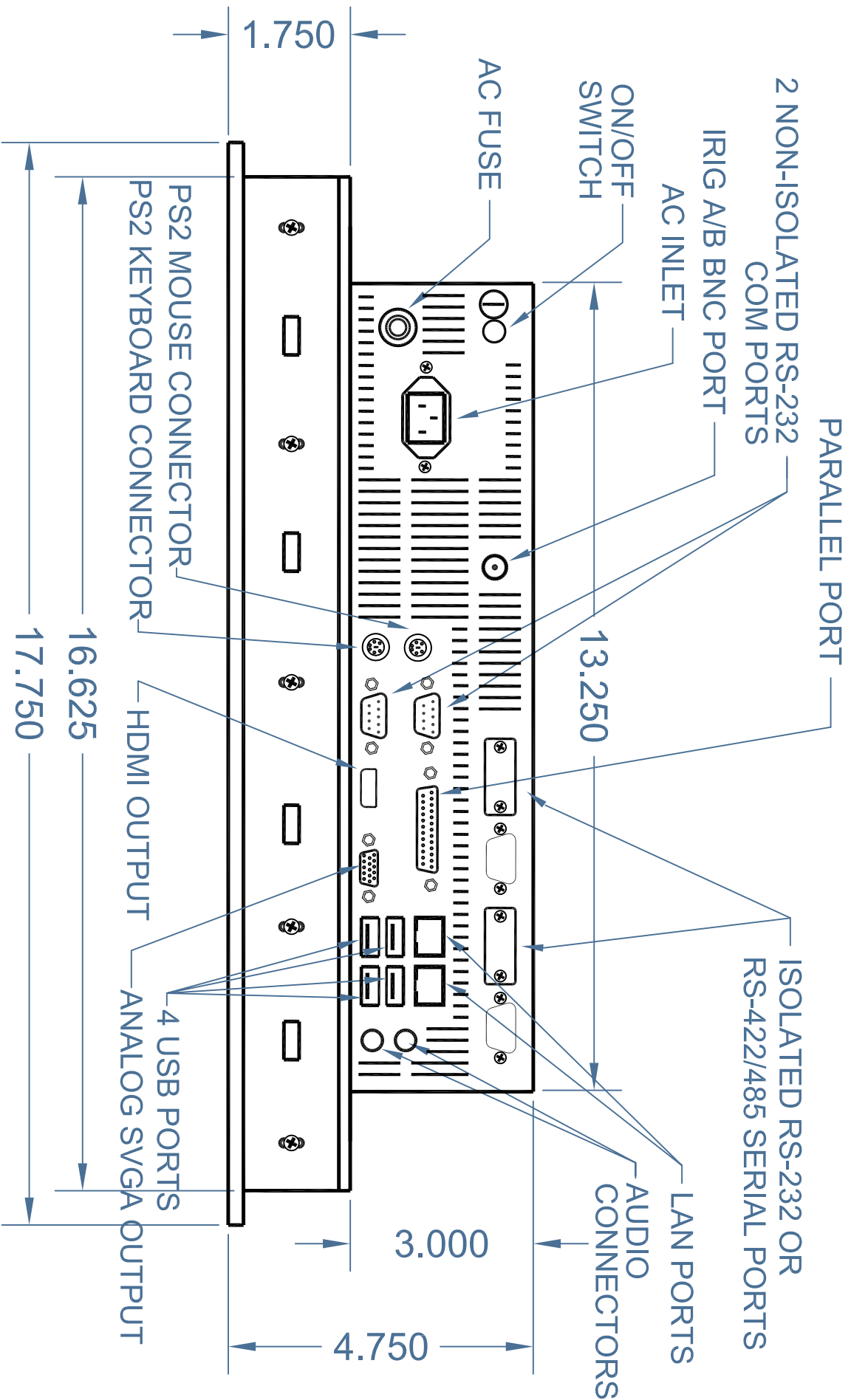
DATE	11-04-2015	DRAWN BY	B.G.	MODEL	TR-5197
PRODUCT	PANEL MOUNT VERSION			REVISION	0
FINISH	CRINKLE BLACK POWDER PAINT	Transduction		CHECKED BY	NTS
TITLE	LAYOUT			DRAWING No	B-647
SCALE	NTS				



RIGHT SIDE VIEW

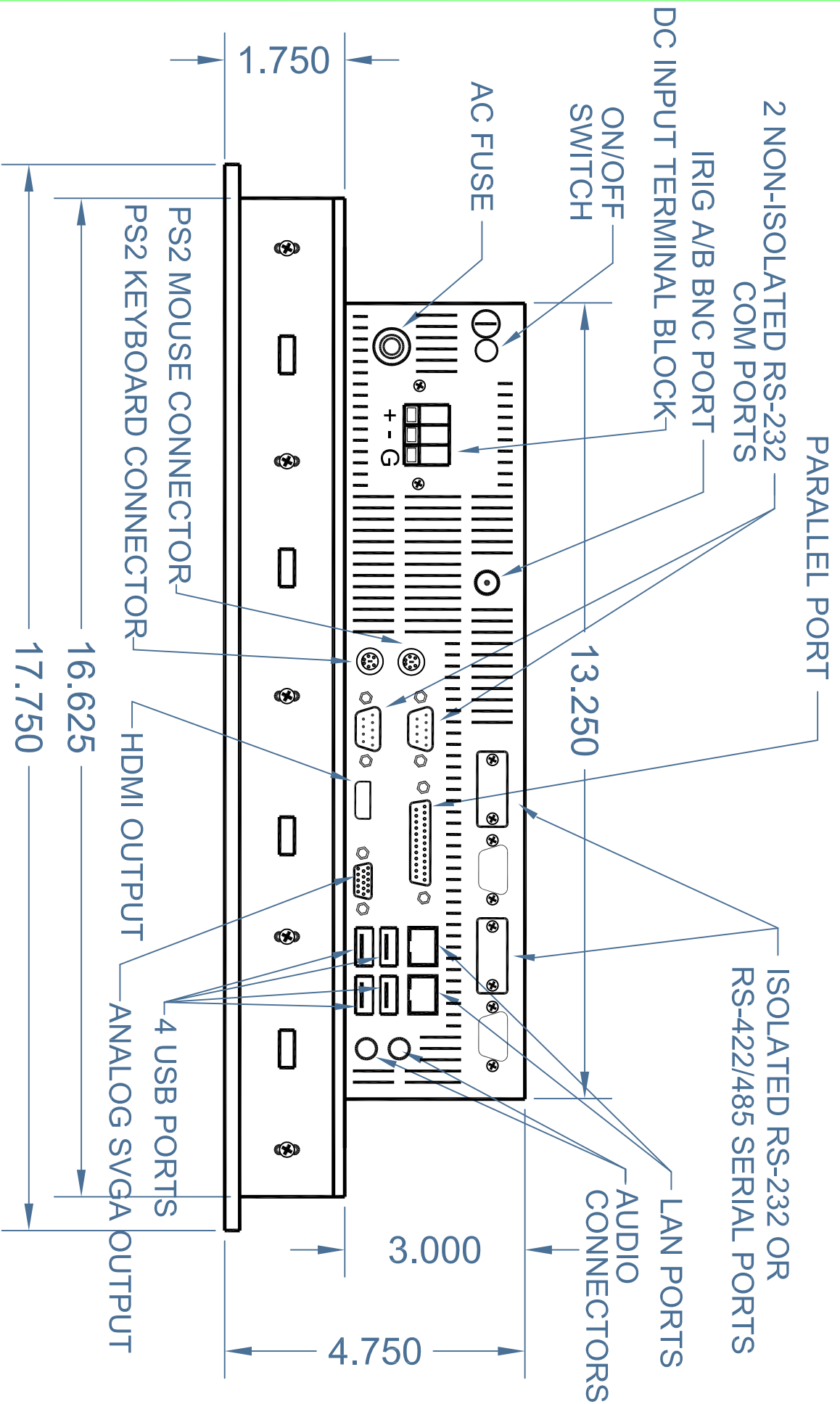
NOTE: FOR DETAIL "A" LOOK
DRAWING B-652

DATE 11-04-2015	DRAWN BY B.G.	MODEL TR-5197		
PRODUCT PANEL MOUNT VERSION		REVISION 0	SCALE NTS	
FINISH CRINKLE BLACK POWDER PAINT	Transduction		CHECKED BY	
TITLE LAYOUT			DRAWING No B-648	



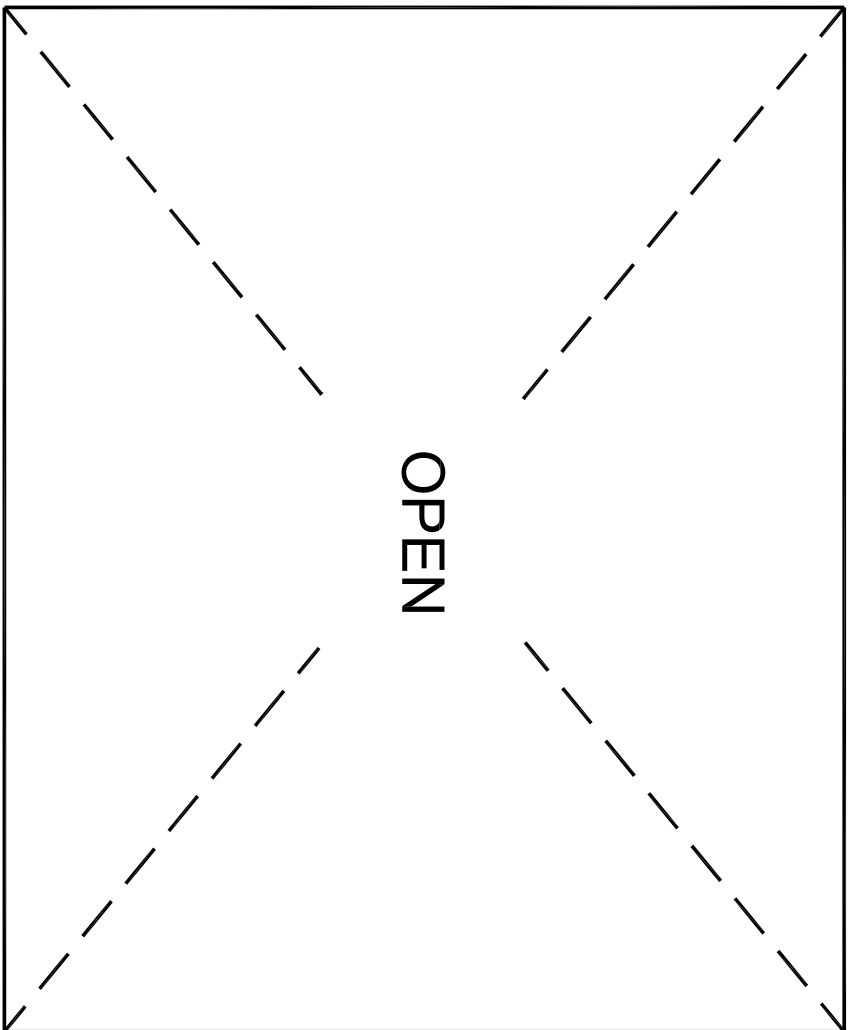
BOTTOM VIEW

DATE	11-04-2015	DRAWN BY	B.G.	MODEL	TR-5197
PRODUCT	PANEL MOUNT VERSION			REVISION	0
FINISH	CRINKLE BLACK POWDER PAINT	Transduction		CHECKED BY	NTS
TITLE	LAYOUT			DRAWING NO	B-649
SCALE	NTS				



BOTTOM VIEW

DATE	11-04-2015	DRAWN BY	B.G.	MODEL	TR-5197
PRODUCT	PANEL MOUNT VERSION			REVISION	0
FINISH	CRINKLE BLACK POWDER PAINT	Transduction		CHECKED BY	NTS
TITLE	LAYOUT			DRAWING No	B-650
DC INPUT OPTION					

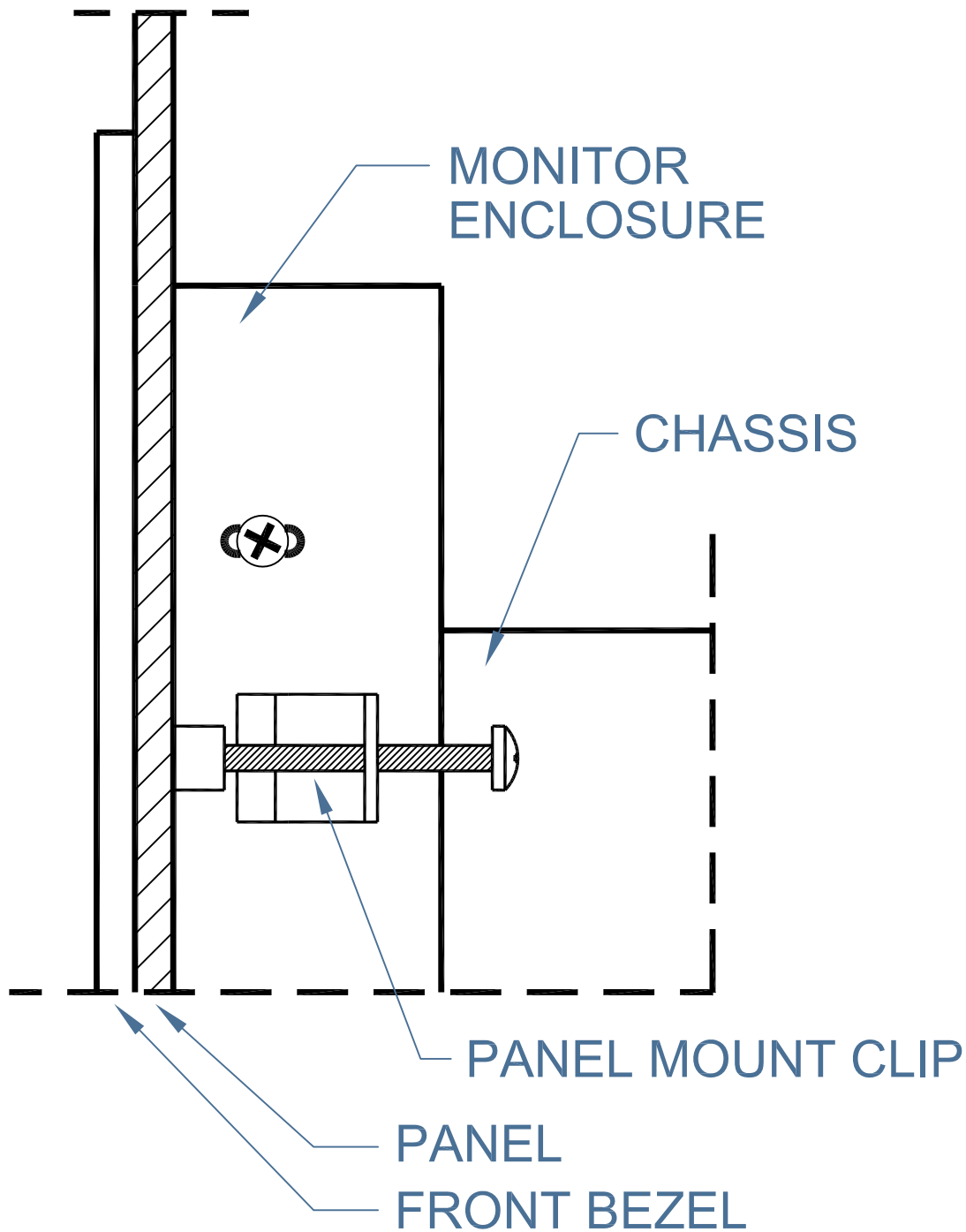


OPEN

16.950

13.900

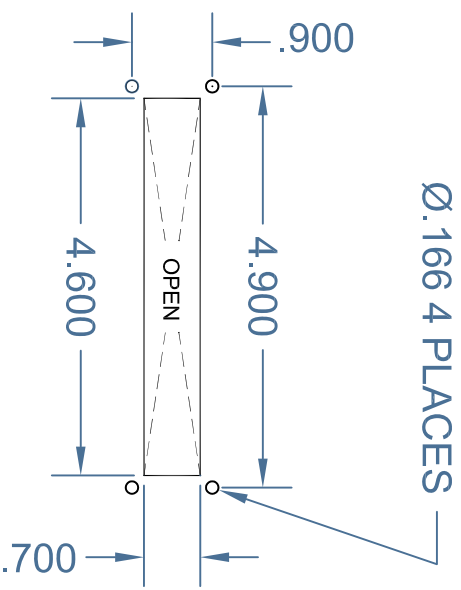
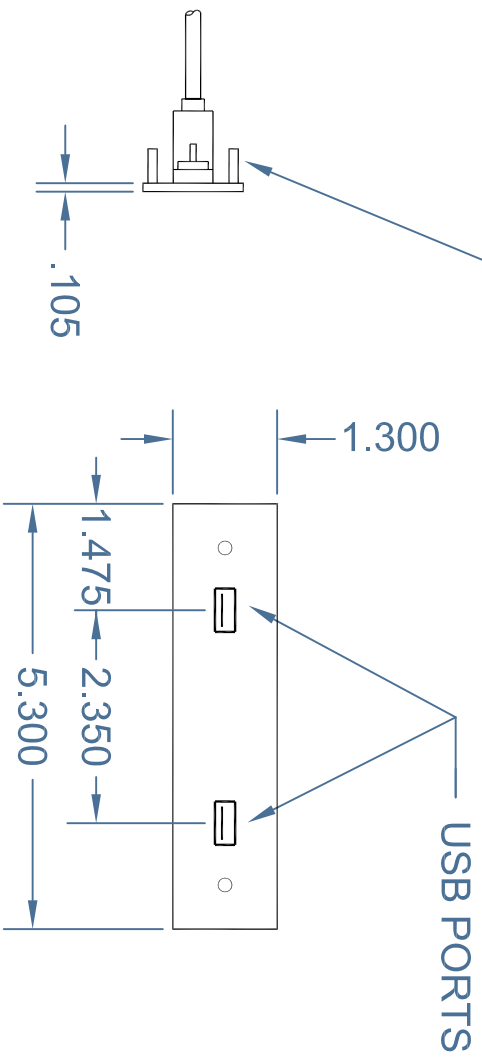
DATE	11-04-2015	DRAWN BY	B.G.	MODEL	TR-5197
PRODUCT	PANEL MOUNT VERSION			REVISION	0
FINISH	CRINKLE BLACK	Transduction		CHECKED BY	NTS
POWDER PAINT					
TITLE	CUTOUT			DRAWING No	B-651



NOTE: CLIP ATTACHED FROM BEHIND AFTER CHASSIS PLACEMENT IN THE PANEL OPENING

DATE 11-04-2015	DRAWN BY B.G.	MODEL TR-5197		
PRODUCT PANEL MOUNT VERSION		REVISION 0	SCALE NTS	
FINISH CRINKLE BLACK POWDER PAINT	Transduction		CHECKED BY	
TITLE DETAIL "A"		DRAWING No B-652		

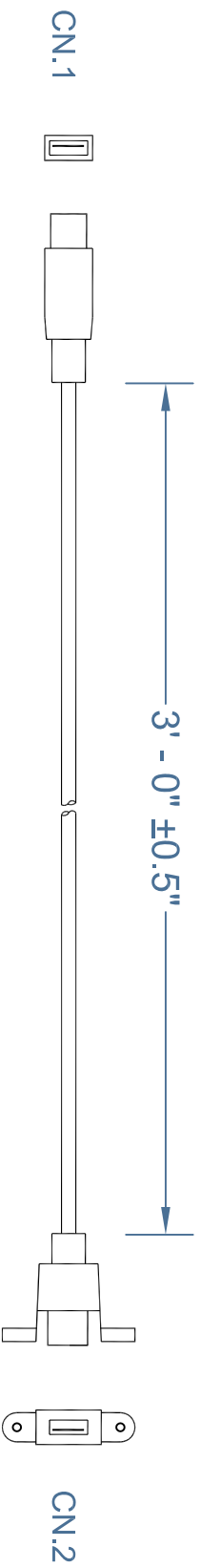
STUD #6-32 x .500 4 PLACES FOR PANEL MOUNTING



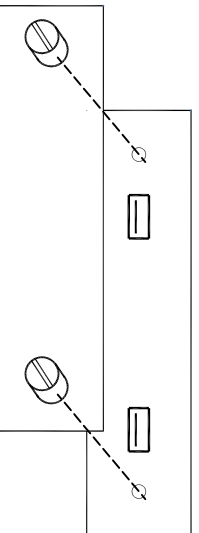
SIDE VIEW

FRONT VIEW

PANEL CUTOUT



TWO USB CABLES
MOUNTED ON THE PLATE



COVER PLATE

DATE	02-01-2010	DRAWN BY	B.G.	MODEL	FILLER PLATE
FINISH	SANITEX BLACK PAINT	TR-PPM-USB PLATE	Transduction	REVISION	0
TITLE	LAYOUT	DRAWING No	B-476A	CHECKED BY	NTS
				SCALE	