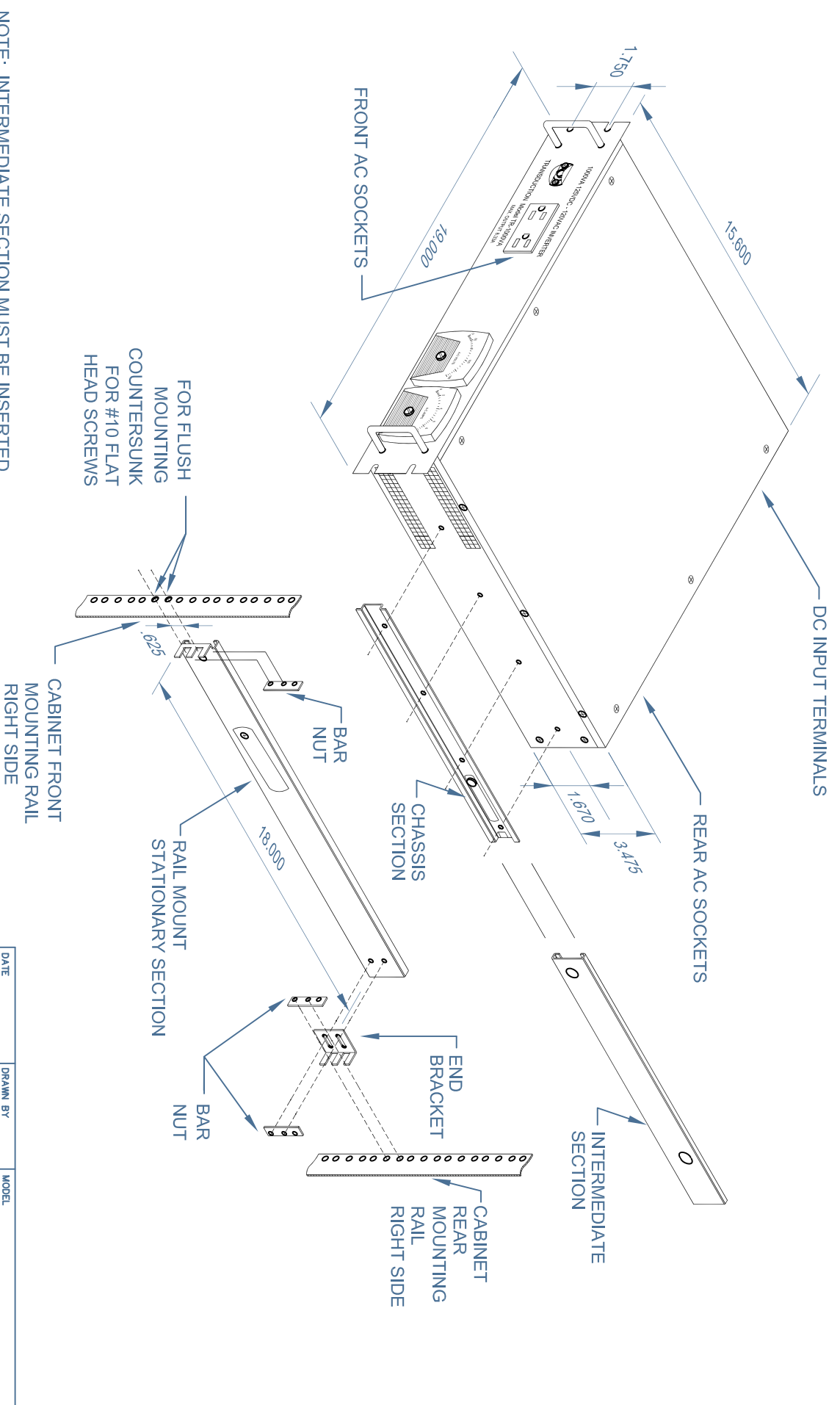


NOTE: ALL DIMENSIONS IN INCHES

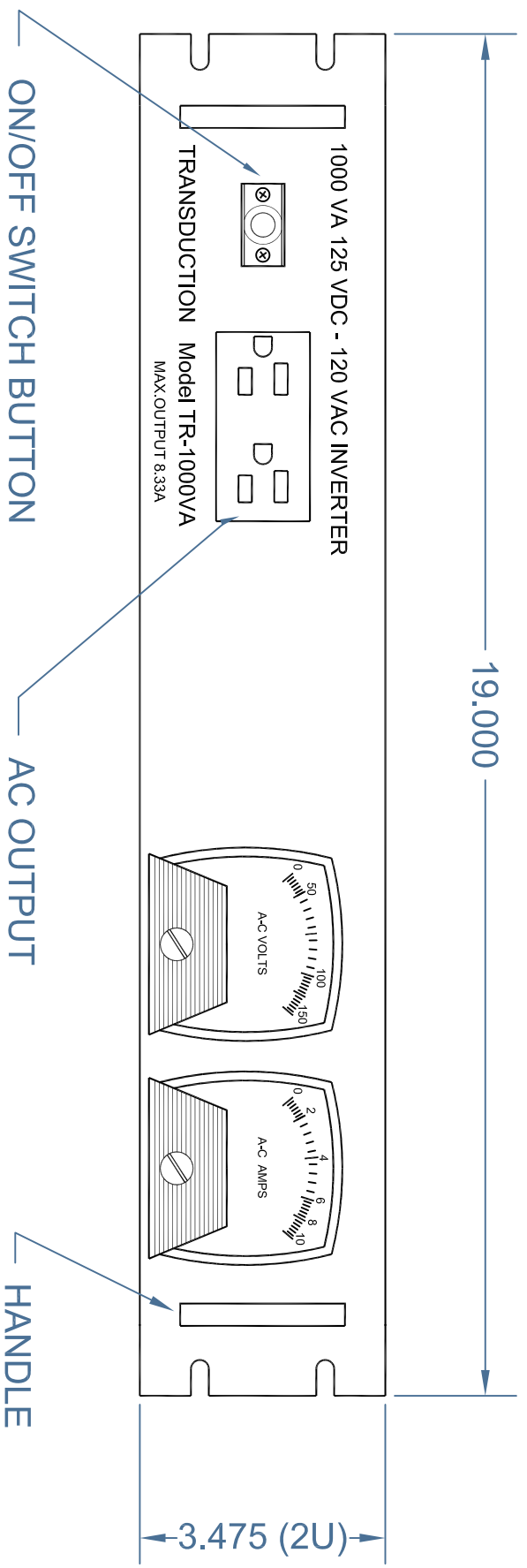
DATE	11-12-2012	DRAWN BY	B.G.	MODEL	TR-1000VA	125VDC
PRODUCT	RACK MOUNT VERSION		REVISION	SCALE		
FINISH	Transduction		CHECKED BY	NTS		
TITLE	LAYOUT		DRAWING No	B-534		



NOTE: INTERMEDIATE SECTION MUST BE INSERTED INTO THE STATIONARY SECTION BEFORE THE END BRACKET IS ATTACHED. LENGTH OF THE STATIONARY SECTION CAN BE ADJUSTED FROM 18 TO 24 INCHES WITH TR-EXT EXTENDER.

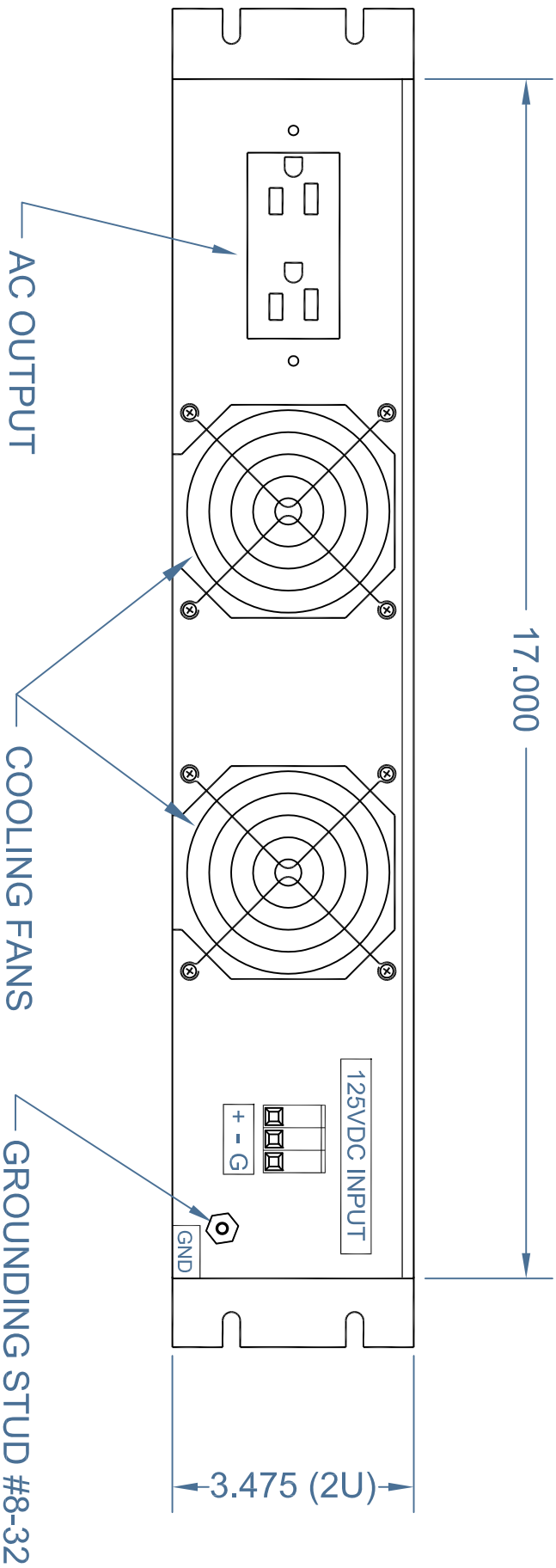
ALL DIMENSIONS IN INCHES

DATE	11-18-2012	DRAWN BY	B.G.	MODEL	TR-1000VA	SCALE	125VDC
PRODUCT	RACK MOUNT VERSION		REVISION	CHECKED BY		NTS	
FINISH	Transduction		DRAWING No		B-534A		
TITLE	LAYOUT						



# FRONT VIEW

DATE	11-12-2012	DRAWN BY	B.G.	MODEL	TR-1000VA 125VDC
PRODUCT	RACK MOUNT VERSION			REVISION	SCALE
FINISH	CARDINAL E-11-BK19			CHECKED BY	NTS
TITLE	LAYOUT			DRAWING No	B-535



## BACK VIEW

DATE	11-12-2012	DRAWN BY	B.G.	MODEL	TR-1000VA 125VDC
PRODUCT	RACK MOUNT VERSION		REVISION		
FINISH	YELLOW ZINC	<b>Transduction</b>		CHECKED BY	NTS
TITLE	LAYOUT			DRAWING No.	B-536
SCALE	NTS				