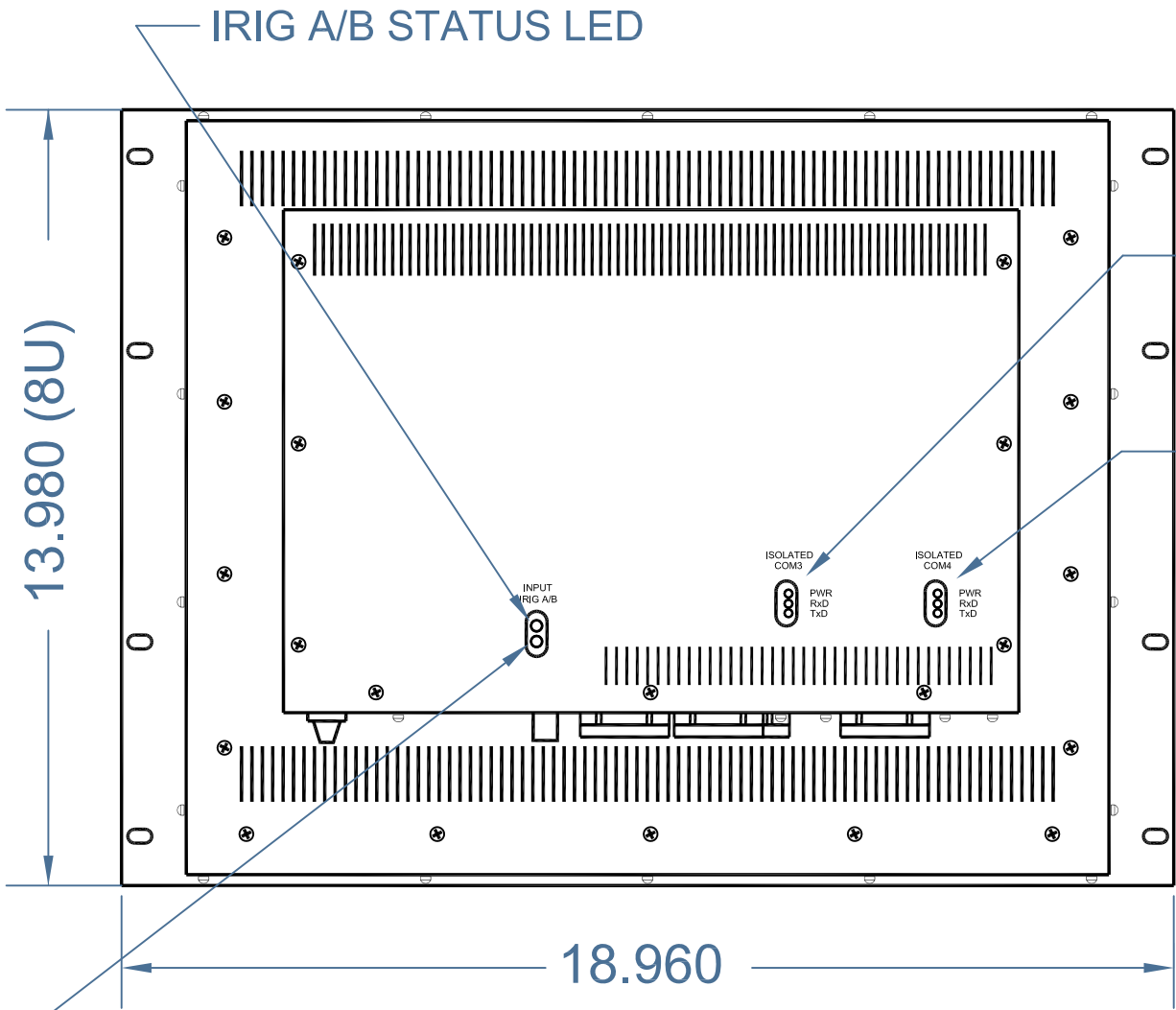


FRONT VIEW

DATE 04-20-2017	DRAWN BY B.G.	MODEL TR-5196F
PRODUCT RACK MOUNT VERSION	REVISION 0	SCALE NTS
FINISH CRINKLE BLACK POWDER PAINT	Transduction	CHECKED BY
TITLE LAYOUT	DRAWING No B-671	



ISOLATED COM3 SERIAL PORT  
POWER, RxD, TxD  
STATUS LEDs

ISOLATED COM4 SERIAL PORT  
POWER, RxD, TxD  
STATUS LEDs

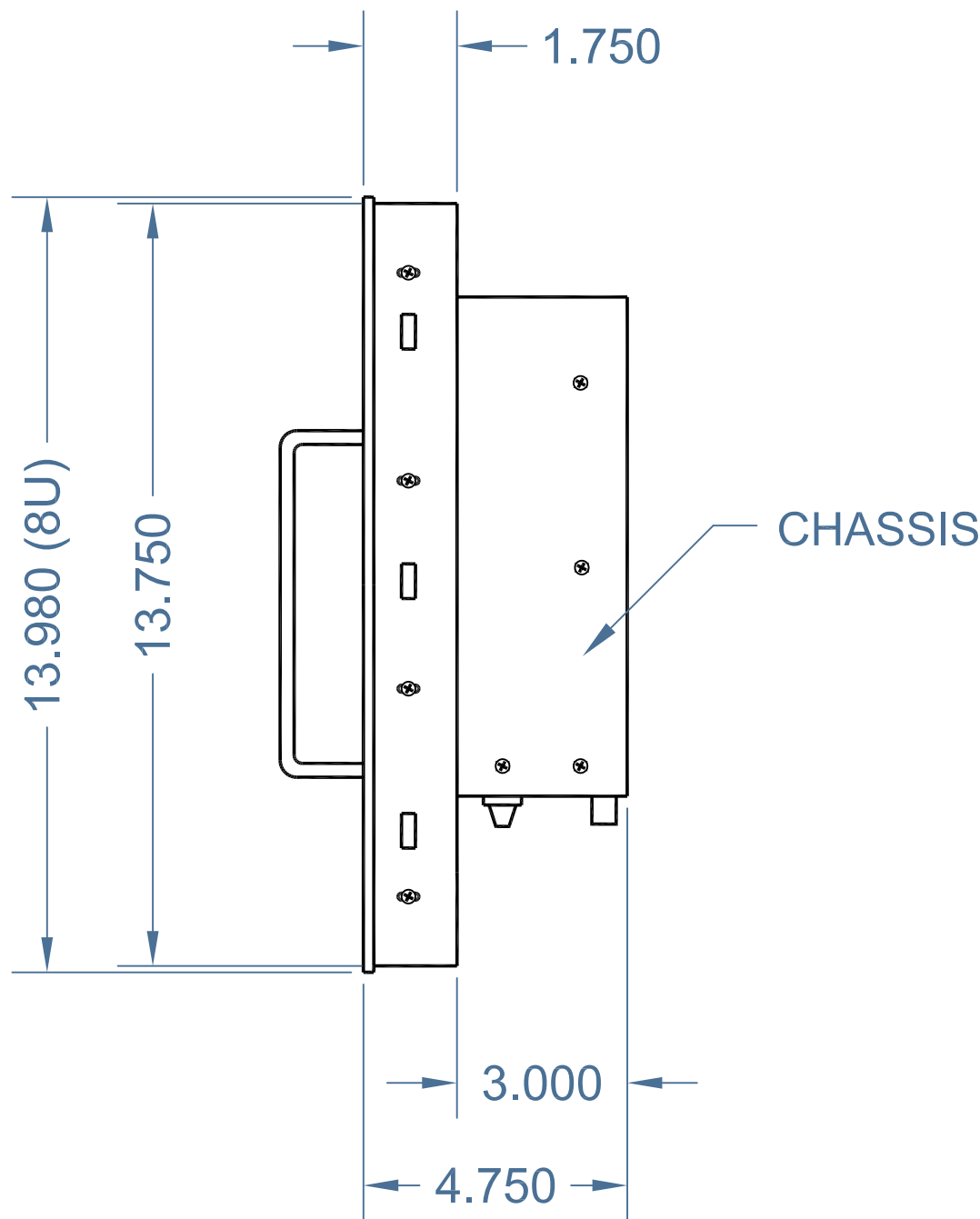
13.980 (8U)

18.960

POWER ON/  
DISK ACTIVITY LED

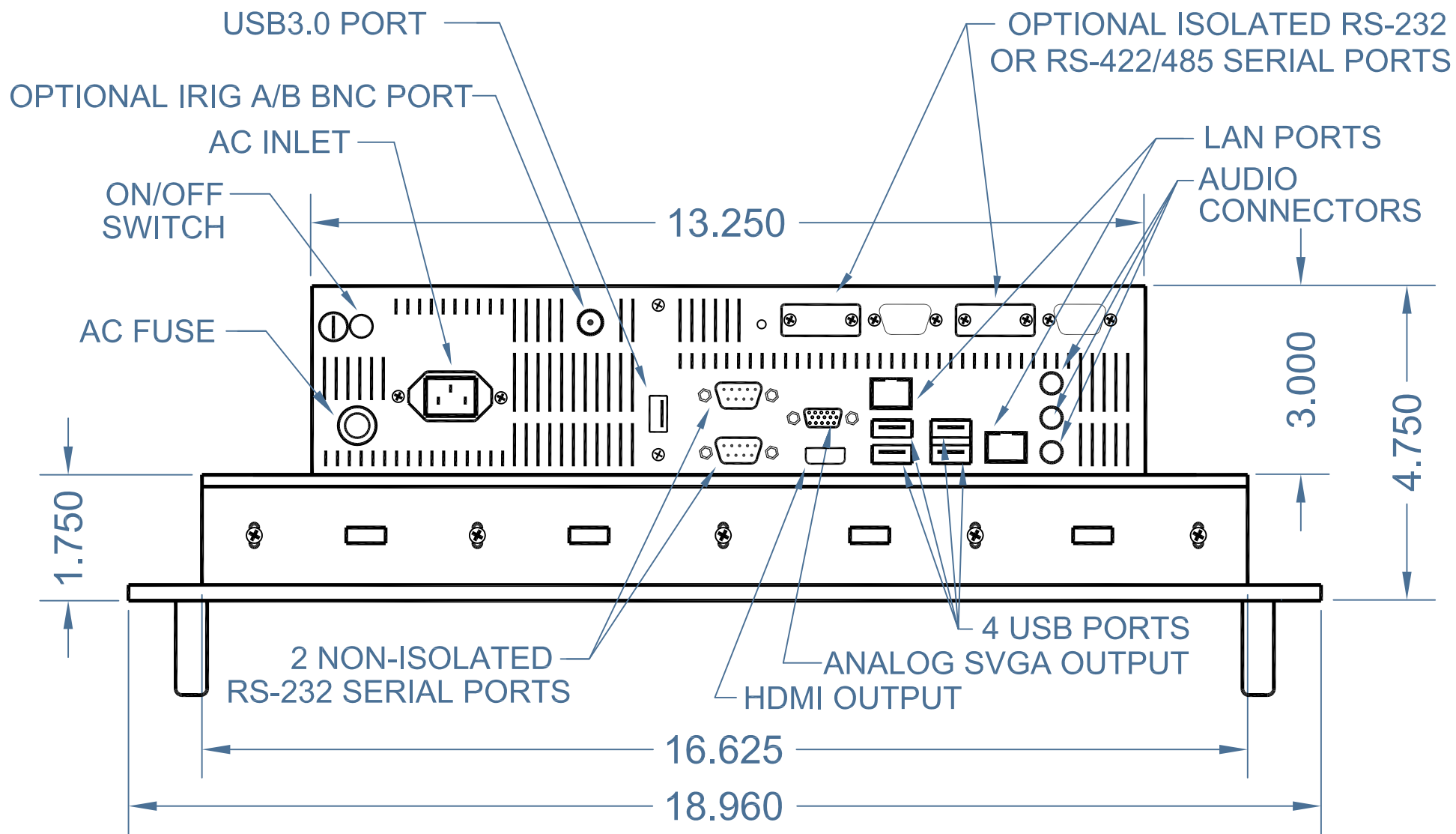
REAR VIEW

DATE 04-20-2017	DRAWN BY B.G.	MODEL TR-5196F
PRODUCT RACK MOUNT VERSION		REVISION 0
FINISH CRINKLE BLACK POWDER PAINT	<b>Transduction</b>	CHECKED BY NTS
TITLE LAYOUT		DRAWING No B-672



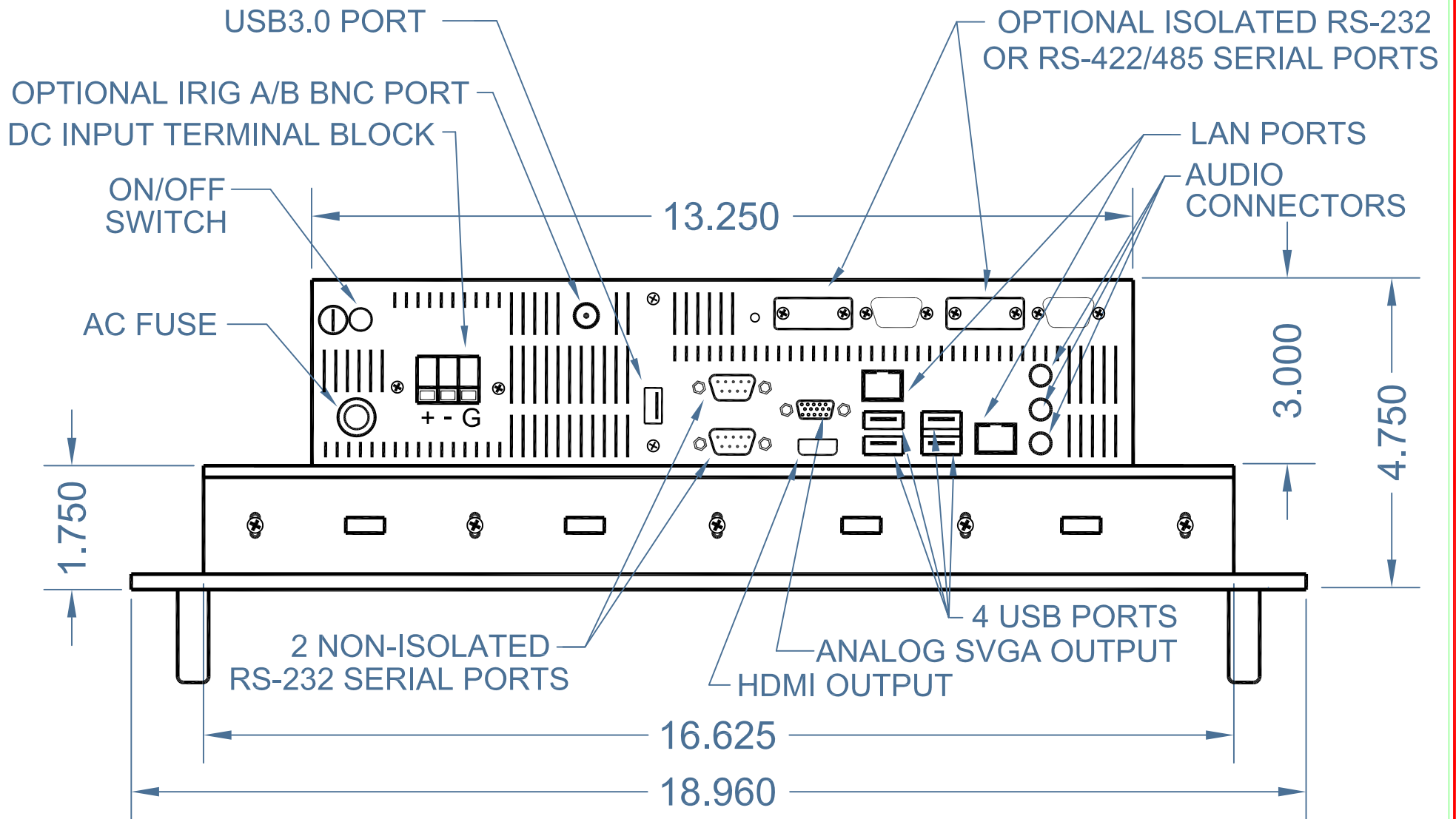
RIGHT SIDE VIEW

DATE 04-20-2017	DRAWN BY B.G.	MODEL TR-5196F
PRODUCT RACK MOUNT VERSION	REVISION 0	SCALE NTS
FINISH CRINKLE BLACK POWDER PAINT	Transduction	CHECKED BY
TITLE LAYOUT	DRAWING No B-673	



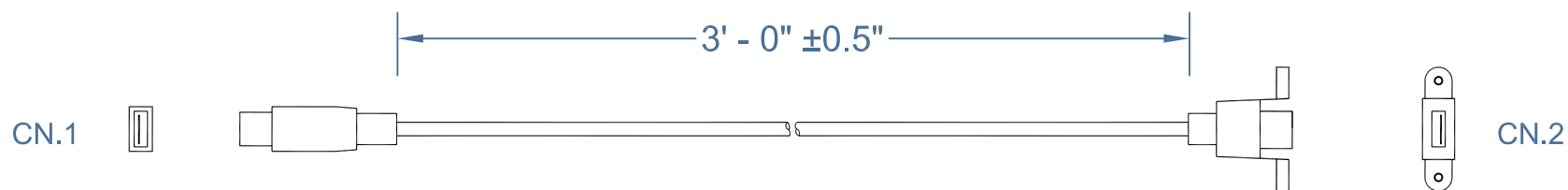
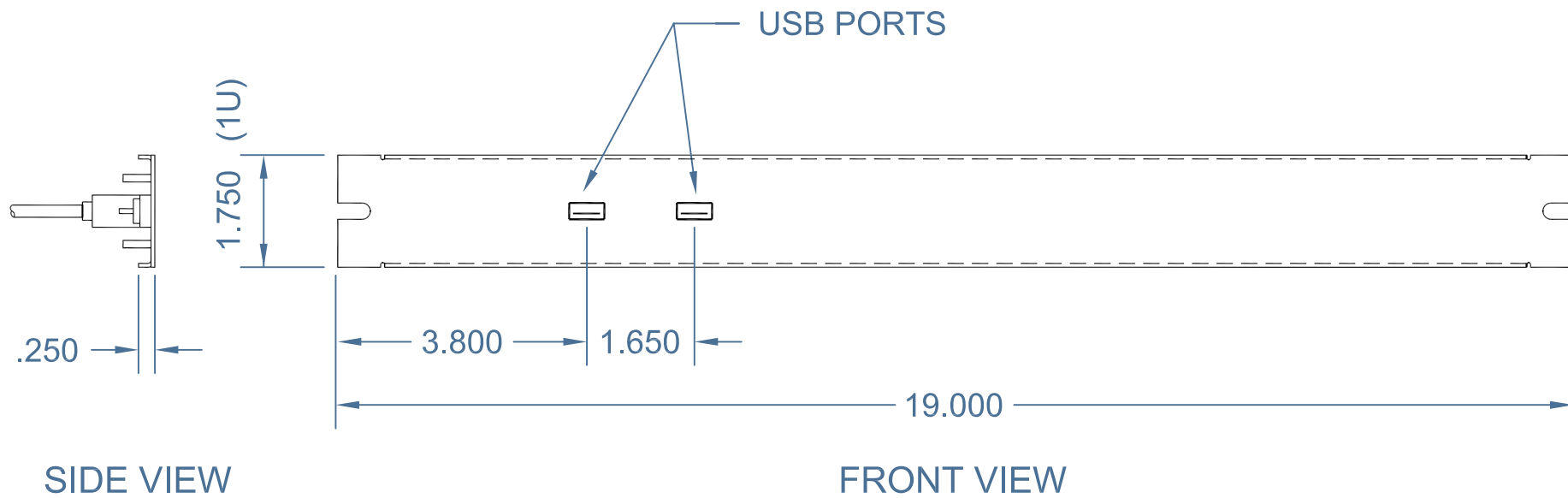
## BOTTOM VIEW

DATE 04-20-2017	DRAWN BY B.G.	MODEL TR-5196F
PRODUCT RACK MOUNT VERSION	REVISION 0	SCALE NTS
FINISH CRINKLE BLACK POWDER PAINT		
TITLE LAYOUT	DRAWING No B-674	



**BOTTOM VIEW**

DATE 04-20-2017	DRAWN BY B.G.	MODEL TR-5196F
PRODUCT RACK MOUNT VERSION	REVISION 0	SCALE NTS
FINISH CRINKLE BLACK POWDER PAINT		
TITLE LAYOUT DC INPUT OPTION	DRAWING No B-675	



TWO USB CABLES  
MOUNTED ON THE PLATE

DATE	DRAWN BY	MODEL		
02-01-2010	B.G.	1U USB FILLER		
TR-RM-USB PLATE			REVISION	SCALE
			0	
FINISH	SANDTEX BLACK PAINT		CHECKED BY	NTS
		Transduction		
TITLE			DRAWING No	
LAYOUT			B-436A	