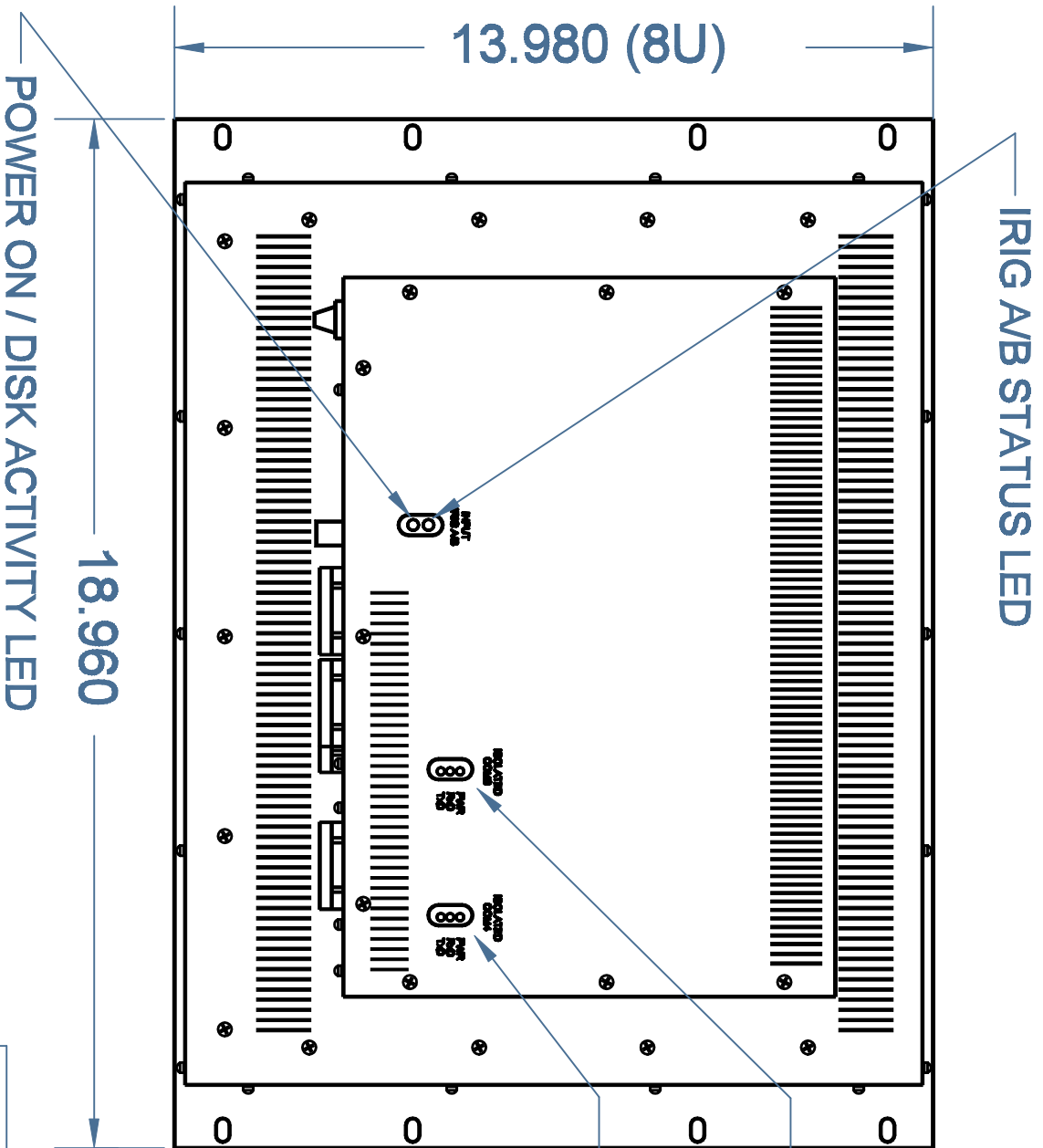


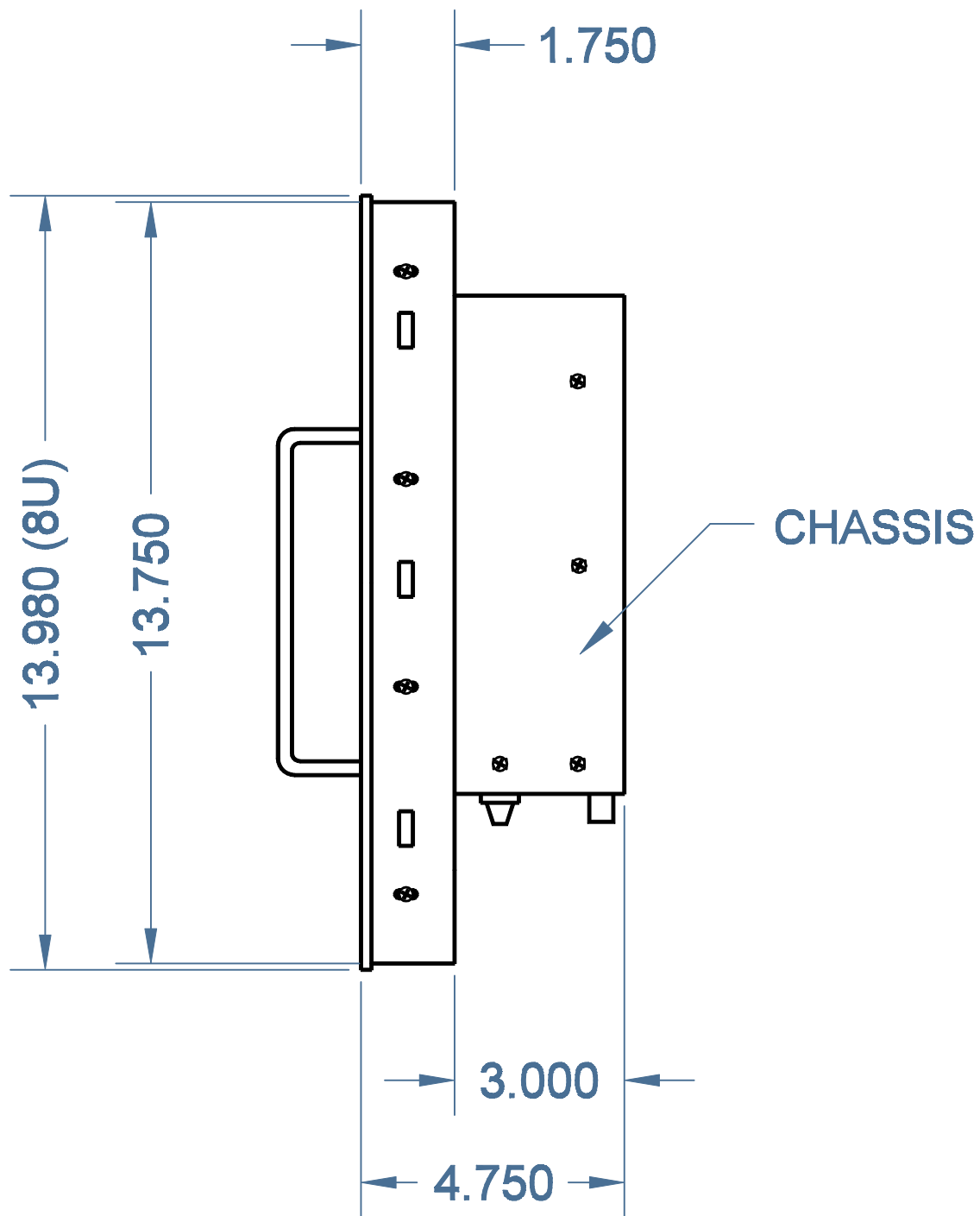
**FRONT VIEW**

DATE	02-14-2009	DRAWN BY	B.G.	MODEL	TR 5195F
PRODUCT	RACK MOUNT VERSION			REVISION	
FINISH	CRINKLE BLACK POWDER PAINT	Transduction	CHECKED BY	NTS	SCALE
TITLE	LAYOUT			DRAWING No	B-416



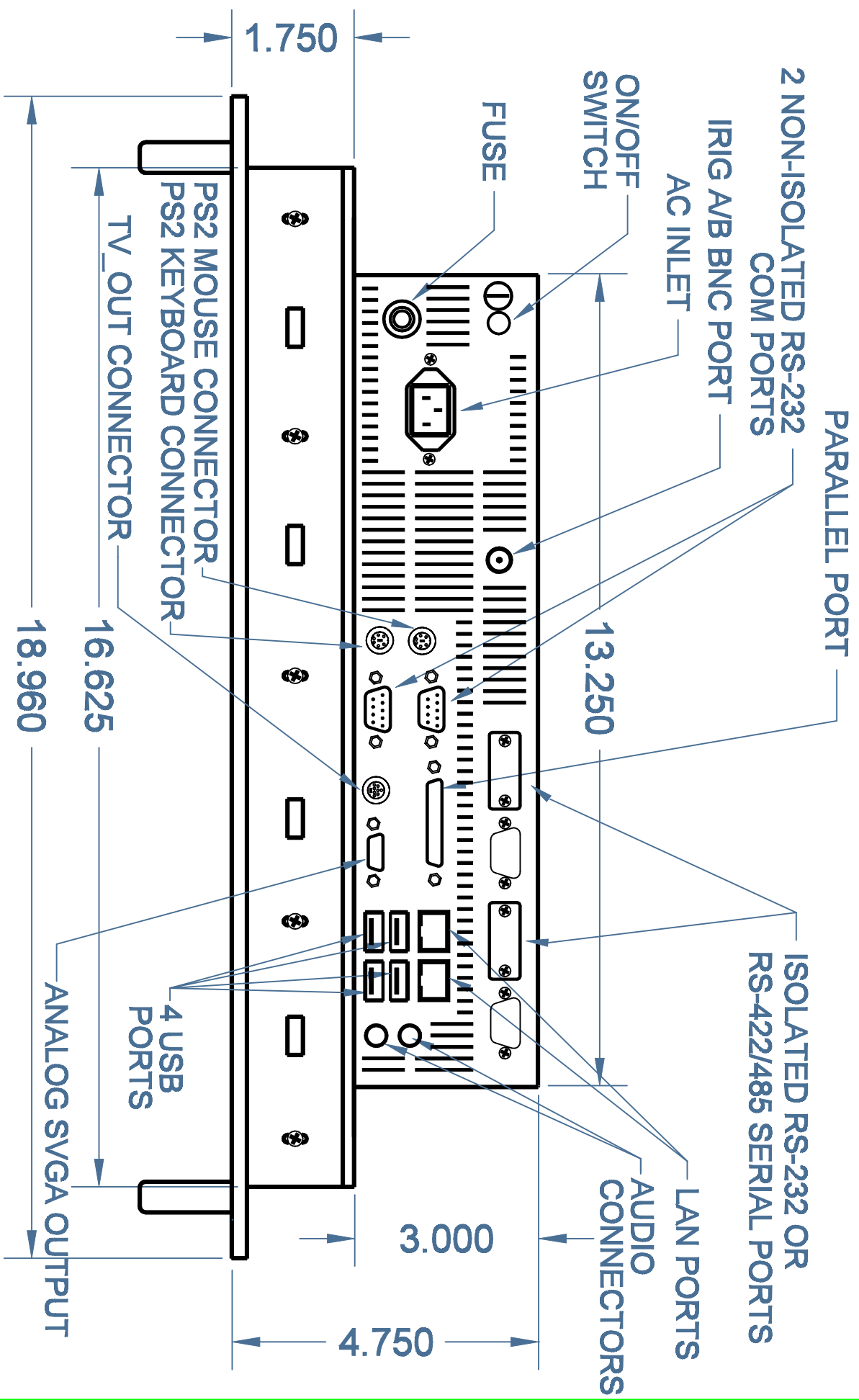
**REAR VIEW**

DATE	02-14-2009	DRAWN BY	B.G.	MODEL	TR 5195F
PRODUCT	RACK MOUNT VERSION			REVISION	
FINISH	CRINKLE BLACK POWDER PAINT	Transduction		CHECKED BY	NTS
TITLE	LAYOUT			DRAWING No	B-417
SCALE					



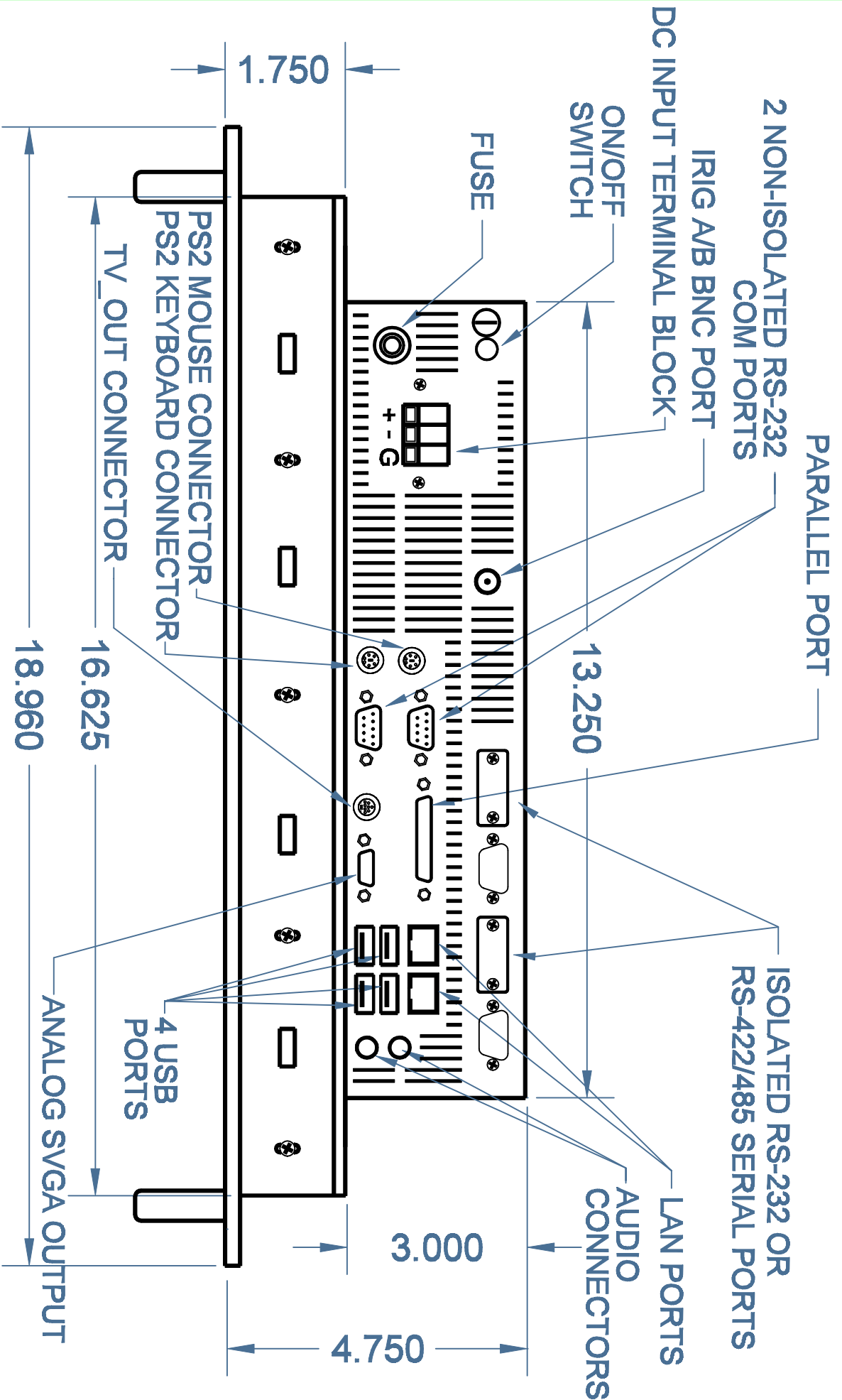
RIGHT SIDE VIEW

DATE <b>02-14-2009</b>	DRAWN BY <b>B.G.</b>	MODEL <b>TR 5195F</b>	
PRODUCT <b>RACK MOUNT VERSION</b>		REVISION	SCALE
FINISH <b>CRINKLE BLACK POWDER PAINT</b>	<b>Transduction</b>	CHECKED BY	<b>NTS</b>
TITLE <b>LAYOUT</b>		DRAWING No <b>B-418</b>	



# BOTTOM VIEW

DATE	08-21-2009	DRAWN BY	B.G.	MODEL	TR5195F
PRODUCT	RACK MOUNT VERSION			REVISION	SCALE
FINISH	CRINKLE BLACK	CHECKED BY	Transduction	NTS	
TITLE	LAYOUT			DRAWING NO	B-419



## BOTTOM VIEW

DATE	08-21-2009	DRAWN BY	B.G.	MODEL	TR5195F
PRODUCT	RACK MOUNT VERSION			REVISION	
FINISH	CRINKLE BLACK POWDER PAINT	TRANSDUCTION		CHECKED BY	NTS
TITLE	LAYOUT		DRAWING No	B-419A	
	DC INPUT OPTION				