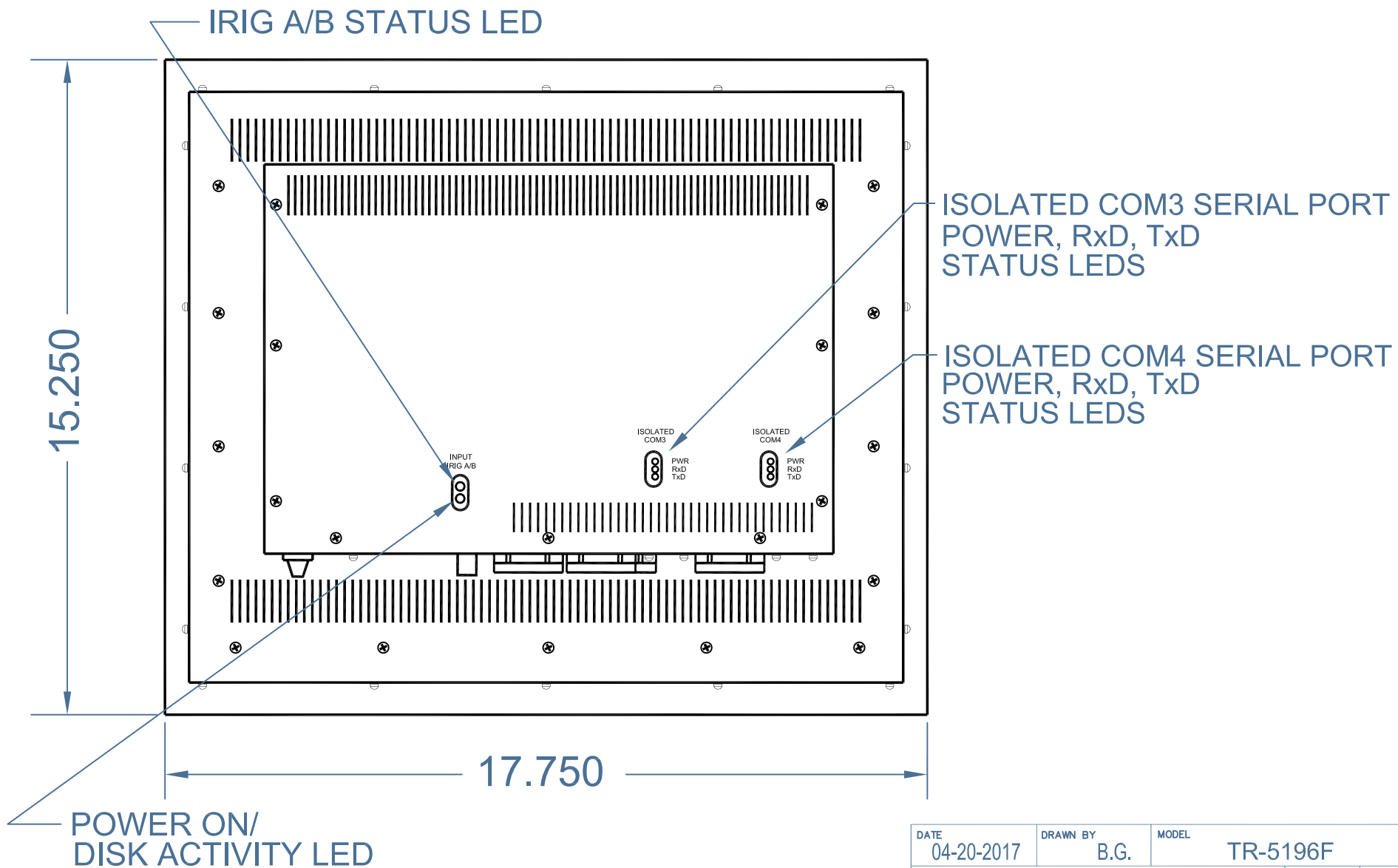


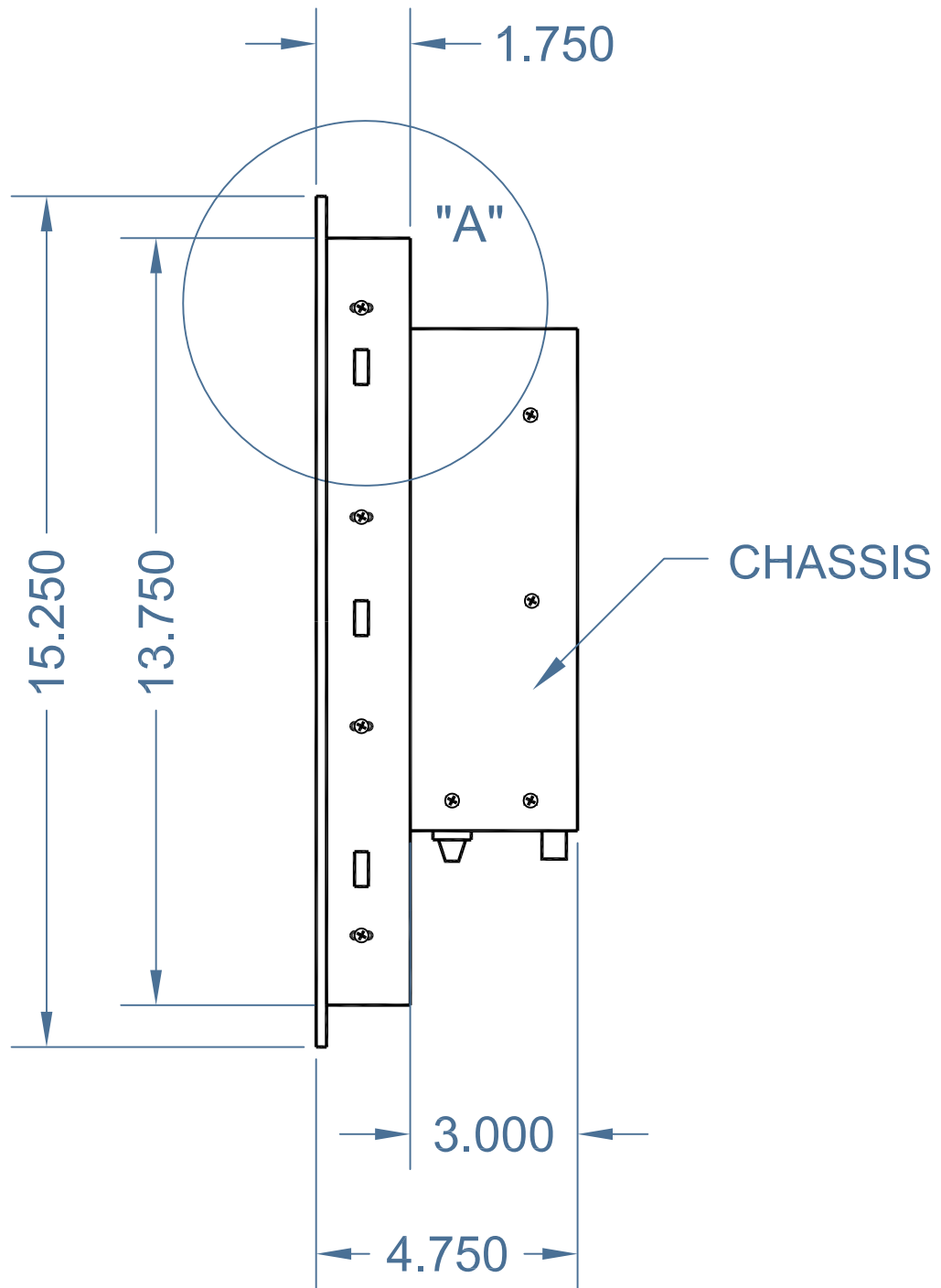
FRONT VIEW

DATE 04-20-2017	DRAWN BY B.G.	MODEL TR-5196F
PRODUCT PANEL MOUNT VERSION	REVISION 0	SCALE NTS
FINISH CRINKLE BLACK POWDER PAINT	Transduction	CHECKED BY
TITLE LAYOUT	DRAWING No B-664	



REAR VIEW

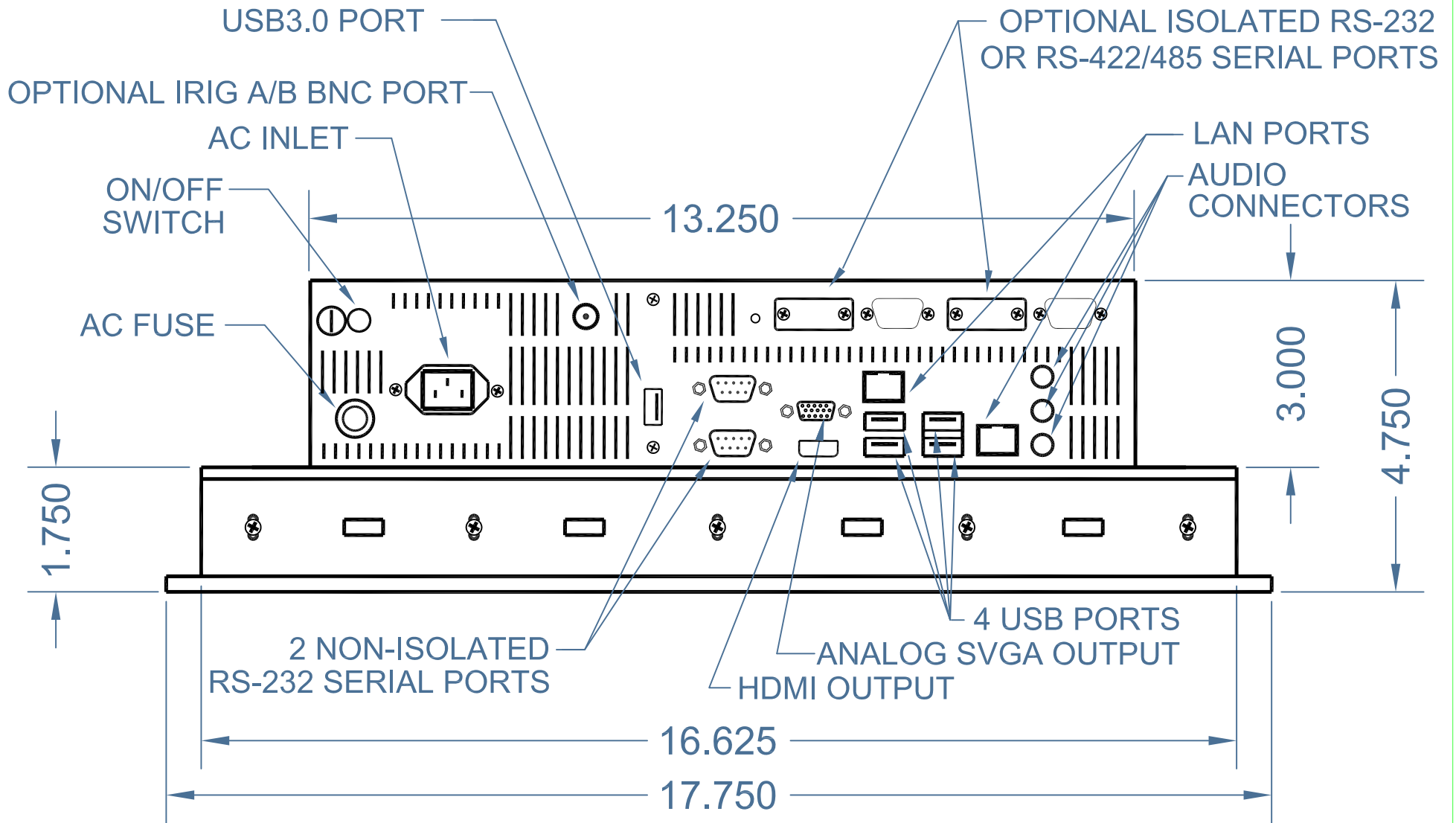
DATE 04-20-2017	DRAWN BY B.G.	MODEL TR-5196F
PRODUCT PANEL MOUNT VERSION		REVISION 0
FINISH CRINKLE BLACK POWDER PAINT	Transduction	CHECKED BY NTS
TITLE LAYOUT		DRAWING No B-665



RIGHT SIDE VIEW

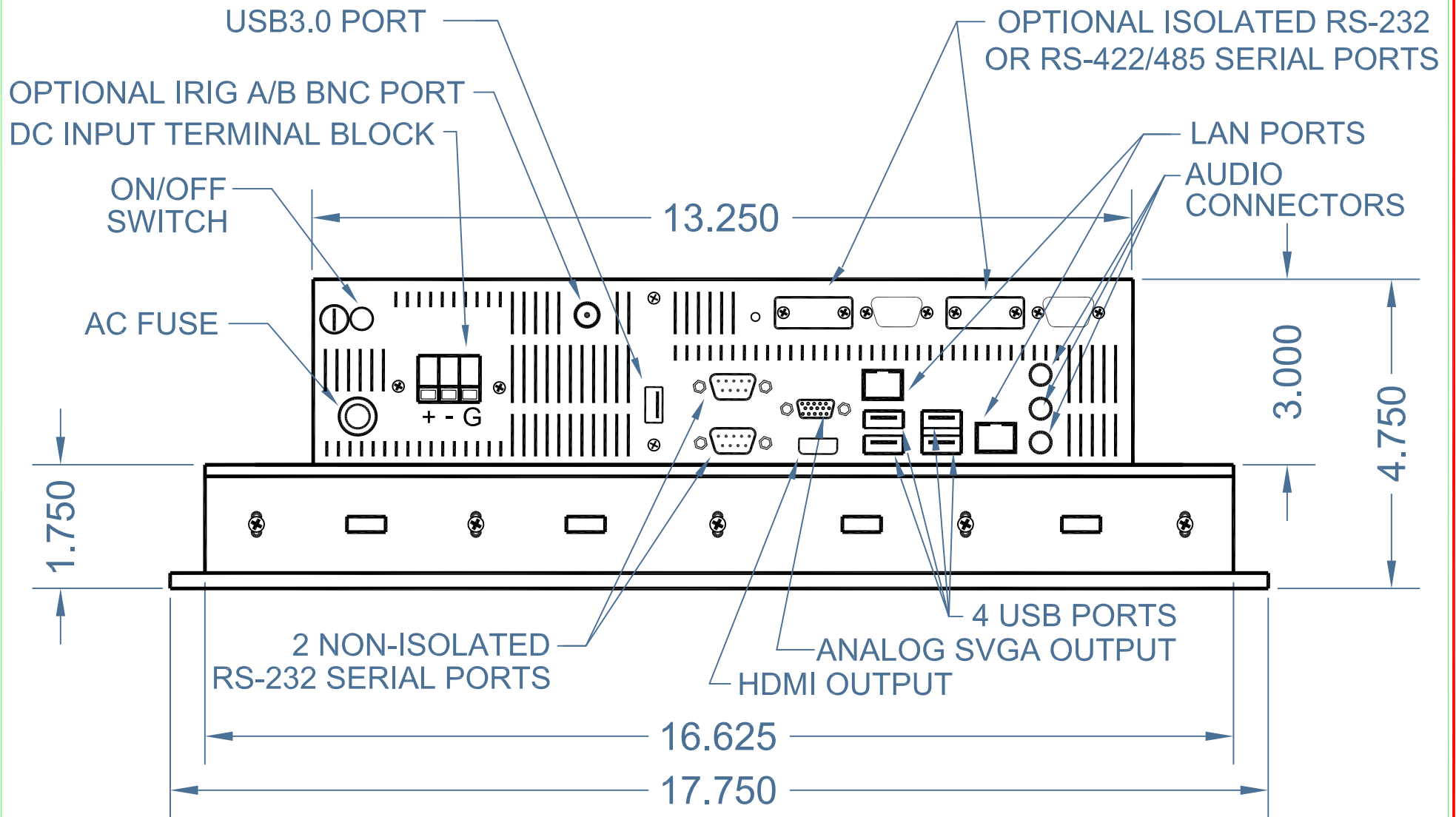
NOTE: FOR DETAIL "A" LOOK
DRAWING B-670

DATE 04-20-2017	DRAWN BY B.G.	MODEL TR-5196F
PRODUCT PANEL MOUNT VERSION	REVISION 0	SCALE NTS
FINISH CRINKLE BLACK POWDER PAINT	Transduction	CHECKED BY
TITLE LAYOUT	DRAWING No B-666	



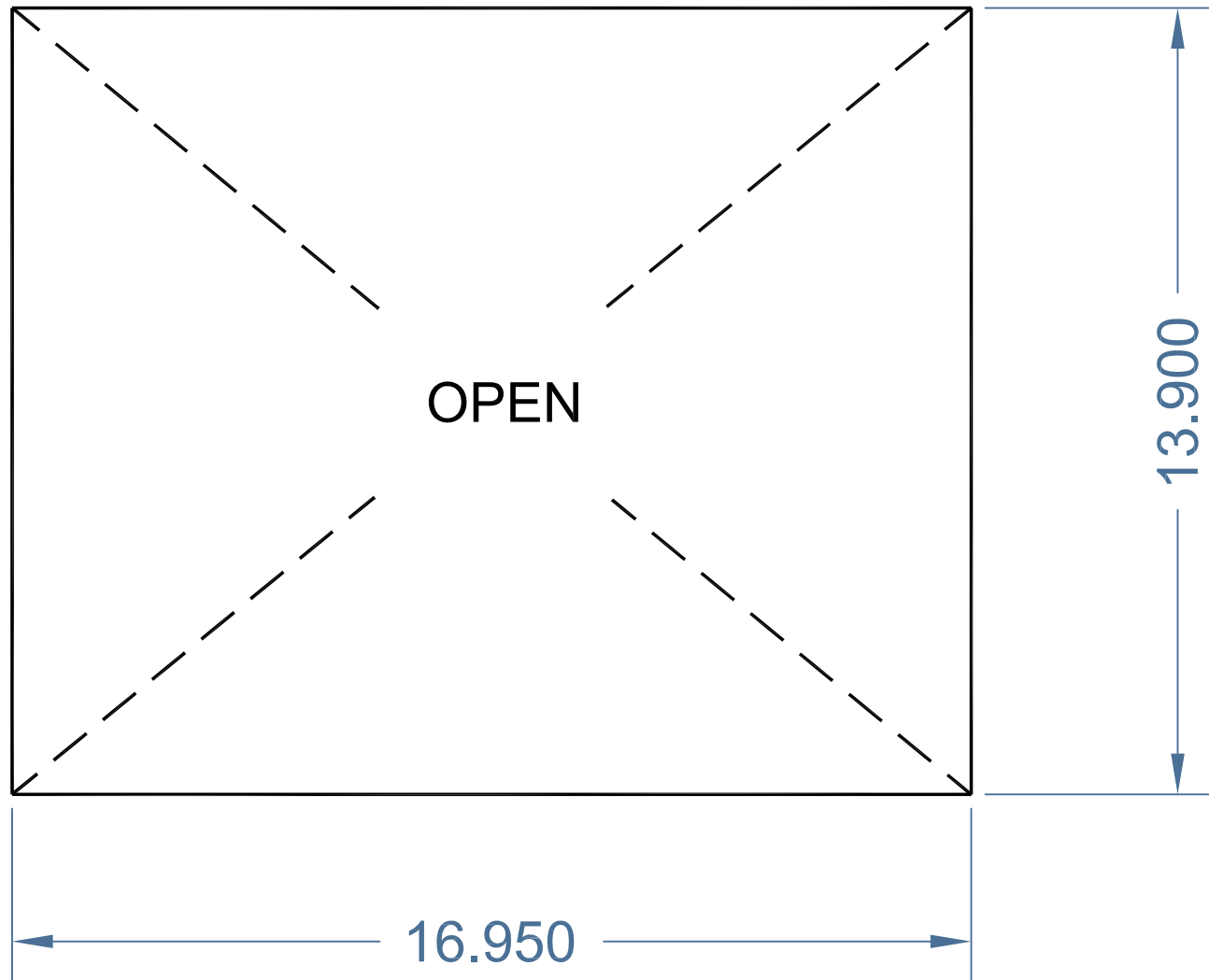
BOTTOM VIEW

DATE 04-20-2017	DRAWN BY B.G.	MODEL TR-5196F		
PRODUCT PANEL MOUNT VERSION		REVISION 0	SCALE NTS	
FINISH CRINKLE BLACK POWDER PAINT	Transduction		CHECKED BY	NTS
TITLE LAYOUT			DRAWING No B-667	

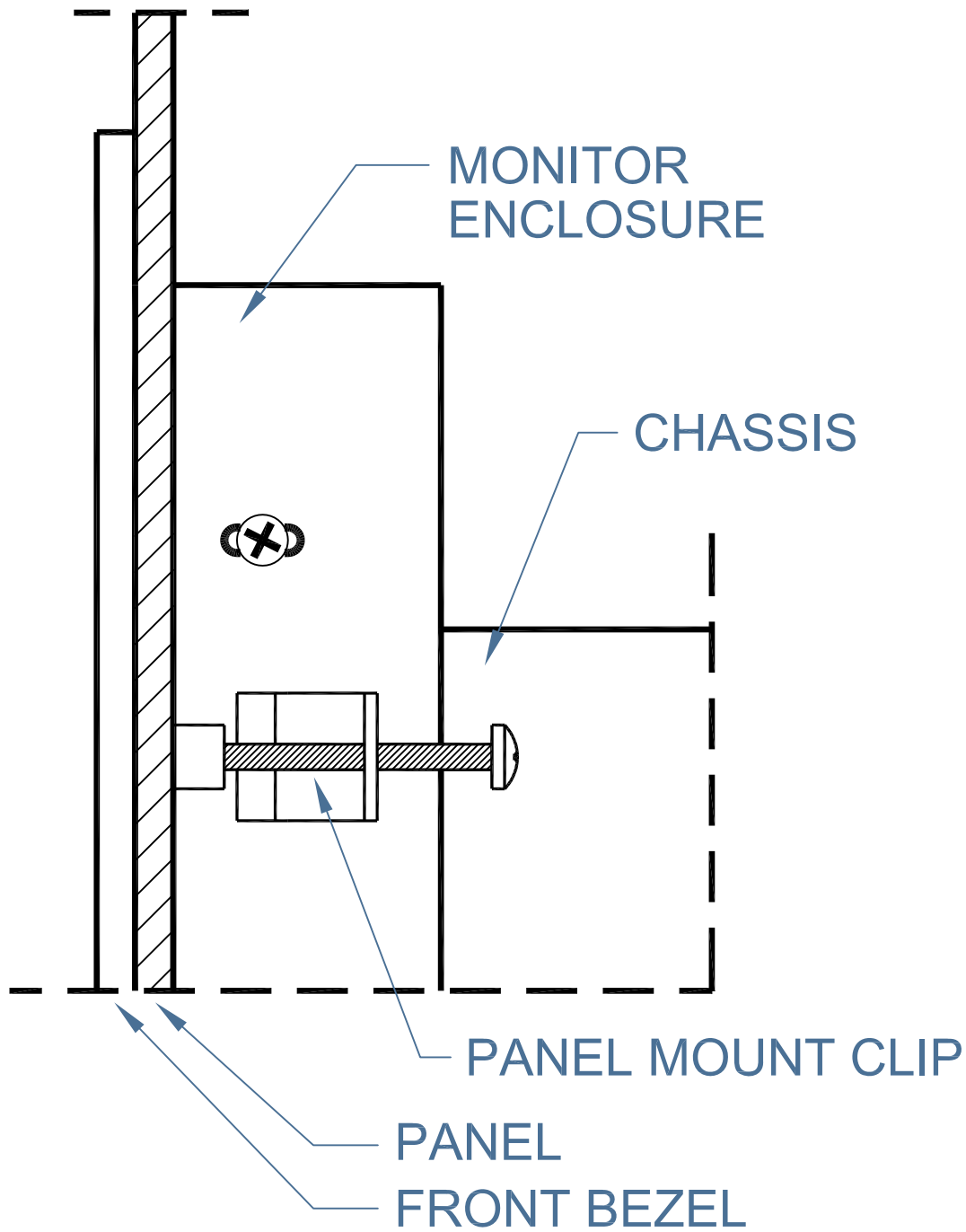


BOTTOM VIEW

DATE 04-20-2017	DRAWN BY B.G.	MODEL TR-5196F		
PRODUCT PANEL MOUNT VERSION		REVISION 0	SCALE NTS	
FINISH CRINKLE BLACK POWDER PAINT		Transduction		CHECKED BY
TITLE LAYOUT DC INPUT OPTION			DRAWING No B-668	

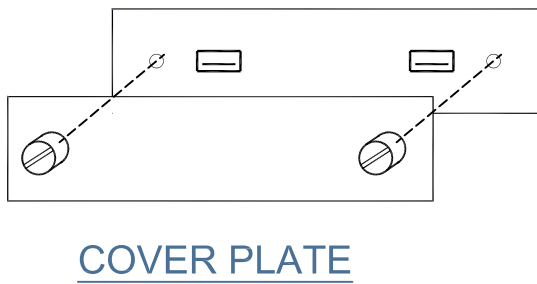
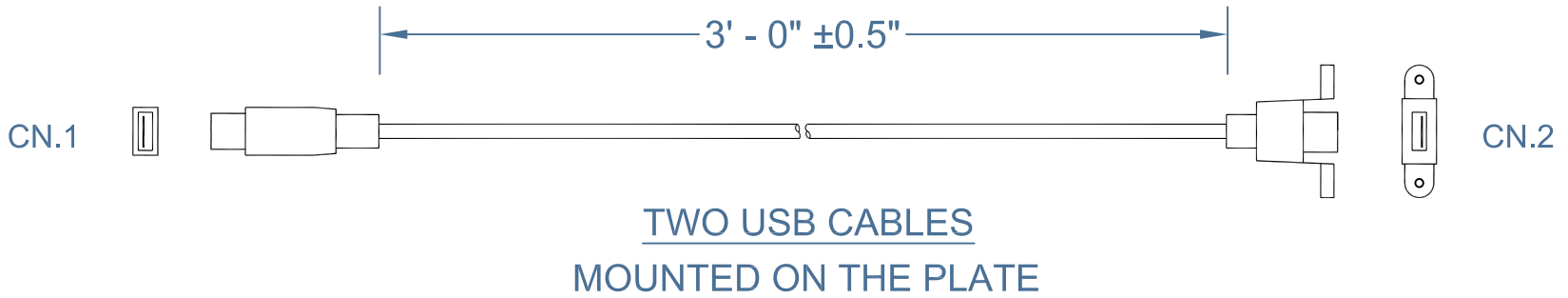
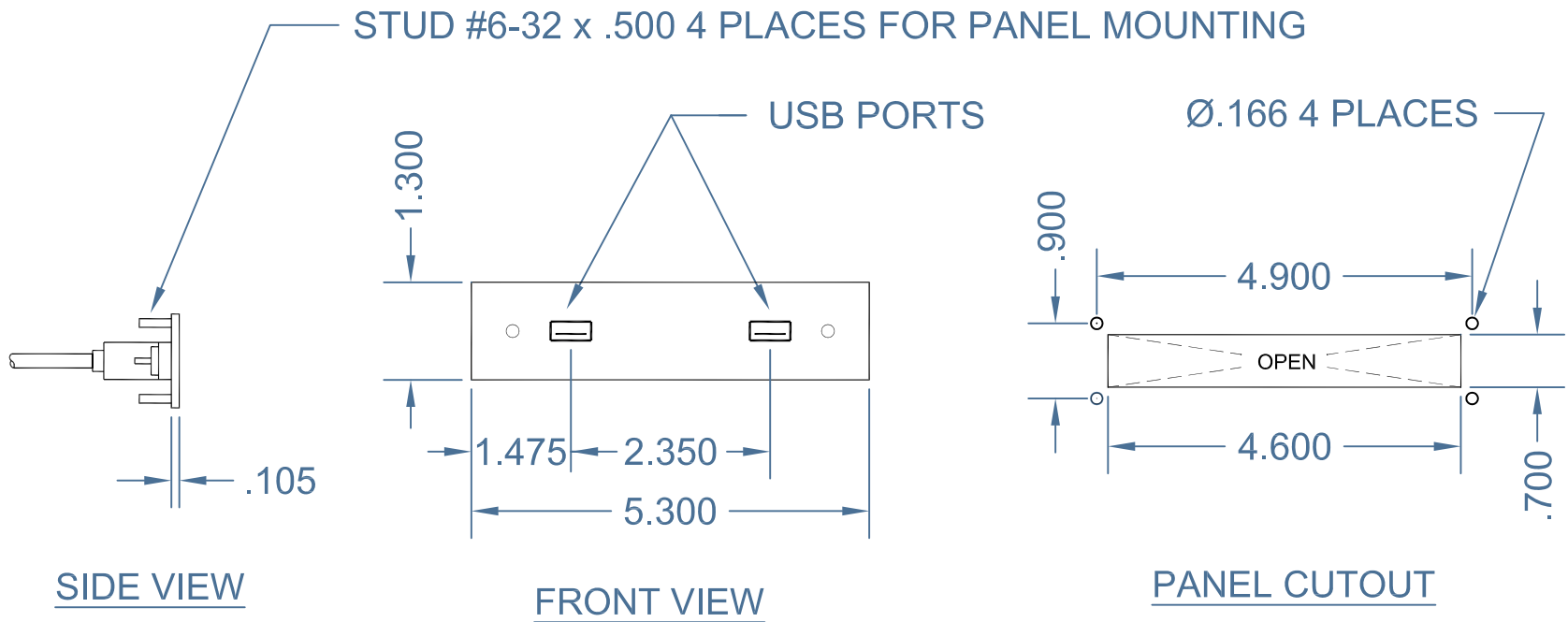


DATE 04-20-2017	DRAWN BY B.G.	MODEL TR-5196F		
PRODUCT PANEL MOUNT VERSION		REVISION 0	SCALE NTS	
FINISH CRINKLE BLACK POWDER PAINT	Transduction		CHECKED BY	
TITLE CUTOUT			DRAWING No B-669	



NOTE: CLIP ATTACHED FROM BEHIND AFTER CHASSIS PLACEMENT IN THE PANEL OPENING

DATE 04-20-2017	DRAWN BY B.G.	MODEL TR-5196F	
PRODUCT PANEL MOUNT VERSION		REVISION 0	SCALE NTS
FINISH CRINKLE BLACK POWDER PAINT	Transduction		CHECKED BY NTS
TITLE DETAIL "A"		DRAWING No B-670	



DATE 02-01-2010	DRAWN BY B.G.	MODEL FILLER PLATE	REVISION 0	SCALE NTS
TITLE LAYOUT			DRAWING No B-476A	
FINISH SANDTEX BLACK PAINT		Transduction		
TR-PM-USB PLATE		CHECKED BY		