

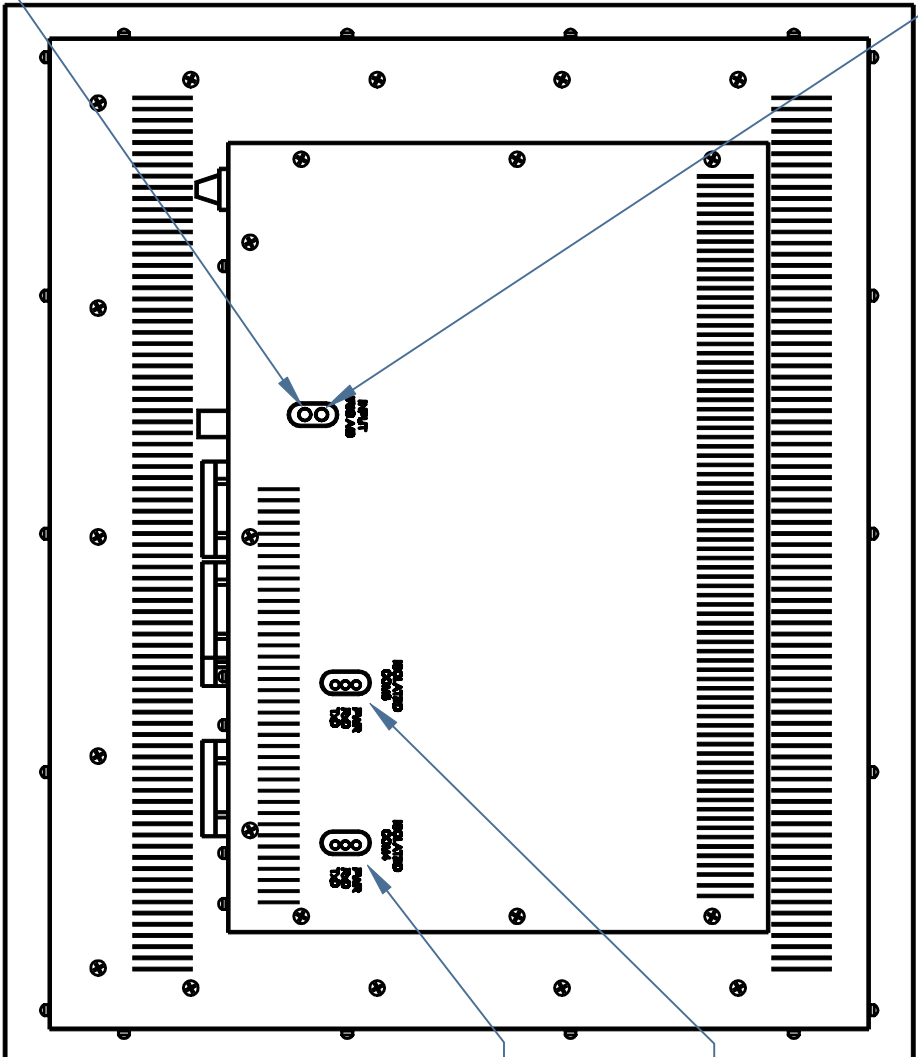
19" LCD MONITOR

**FRONT VIEW**

DATE	02-14-2009	DRAWN BY	B.G.	MODEL	TR 5195F
PRODUCT	PANEL MOUNT VERSION		REVISION		
FINISH	CRINKLE BLACK	TRANSDUCTION	CHECKED BY	NTS	
TITLE	LAYOUT	DRAWING No.	B-410		

IRIG AB STATUS LED

15.250



POWER ON / DISK ACTIVITY LED

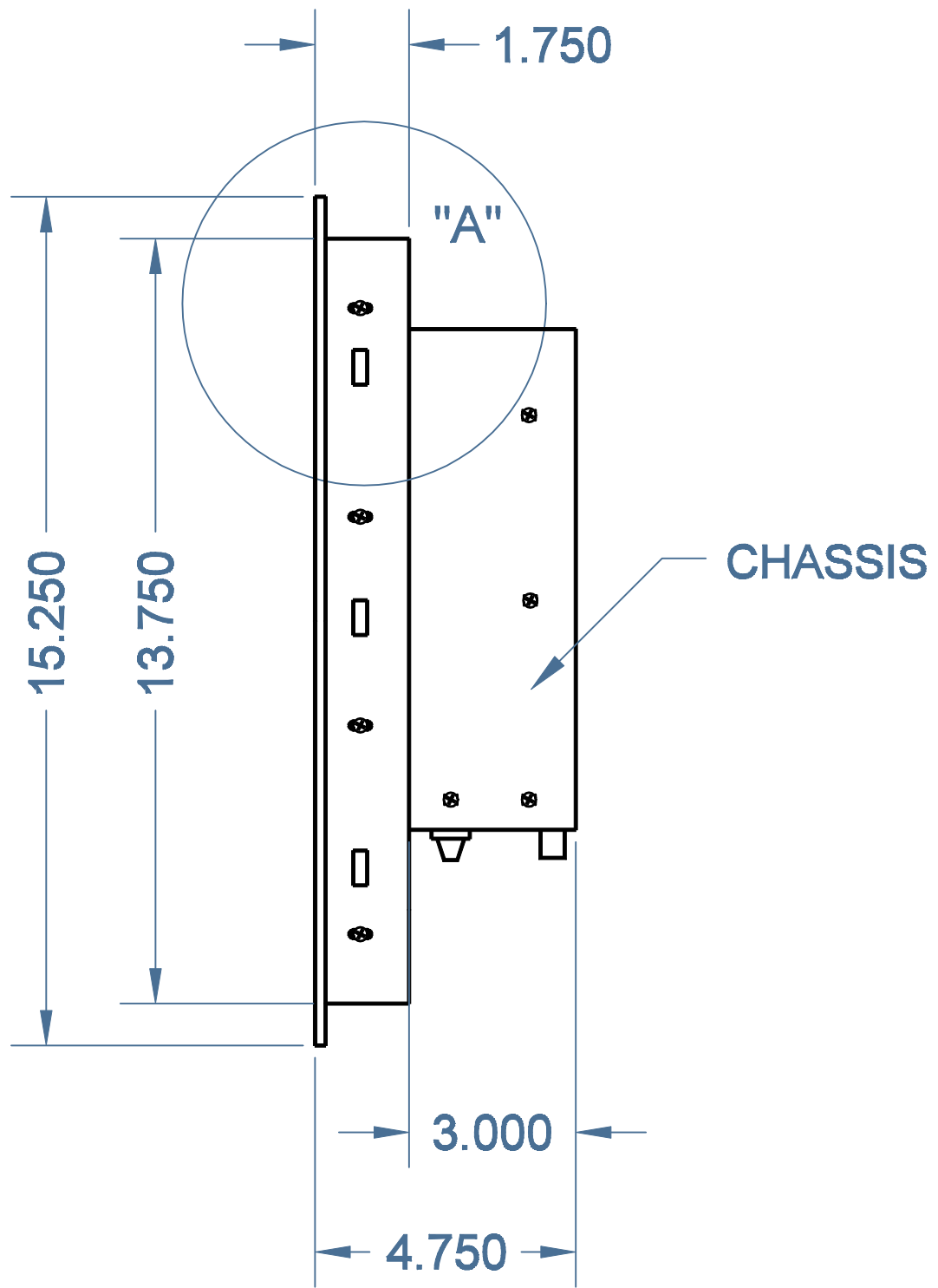
17.750

REAR VIEW

ISOLATED COM3 SERIAL PORT  
POWER, RXD, TXD  
STATUS LEDS

ISOLATED COM4 SERIAL PORT  
POWER, RXD, TXD  
STATUS LEDS

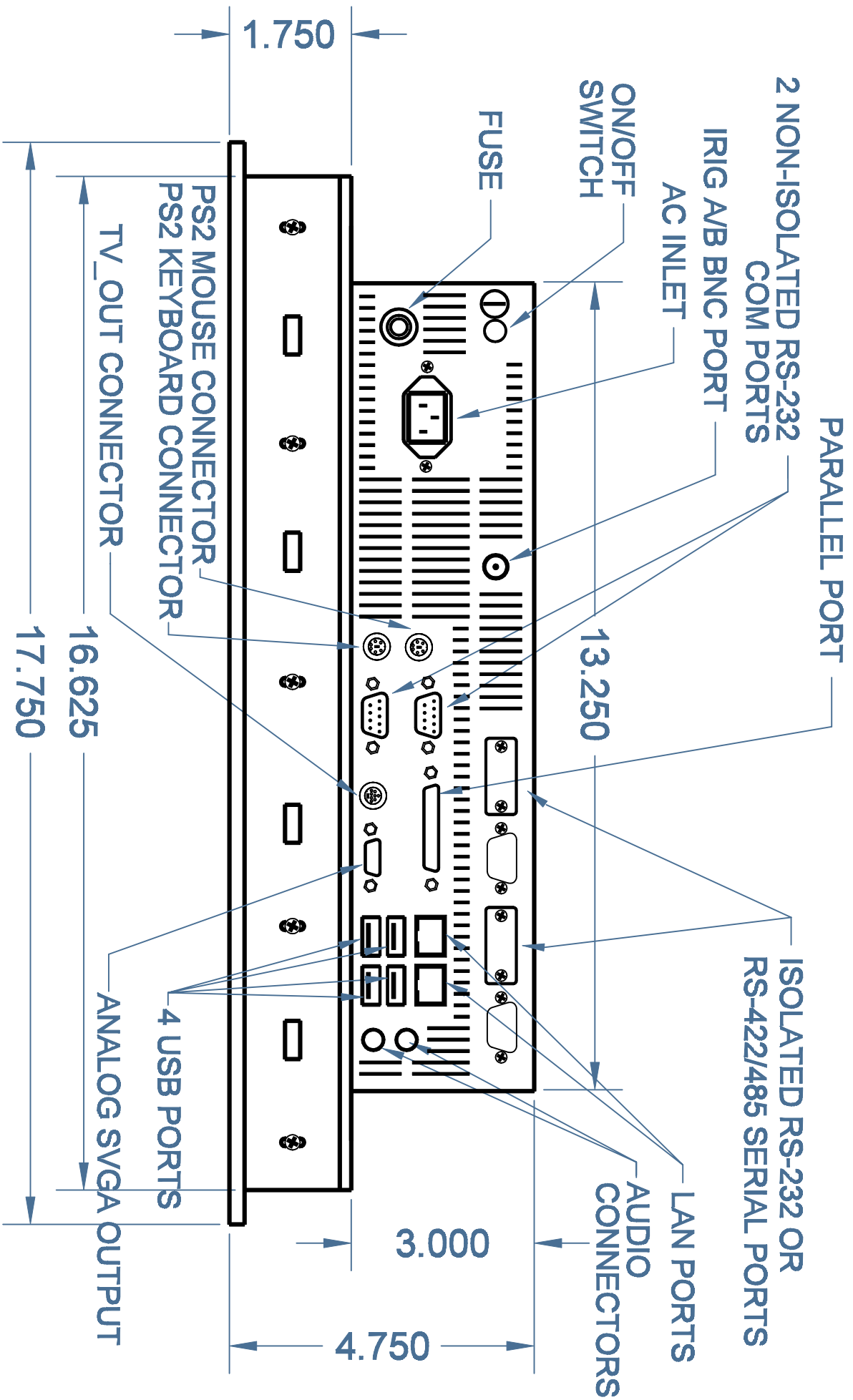
DATE	02-14-2009	DRAWN BY	B.G.	MODEL	TR 5195F
PRODUCT	PANEL MOUNT VERSION			REVISION	
FINISH	CRINKLE BLACK POWDER PAINT	Transduction	CHECKED BY	NTS	
TITLE	LAYOUT			DRAWING No	B-411



**RIGHT SIDE VIEW**

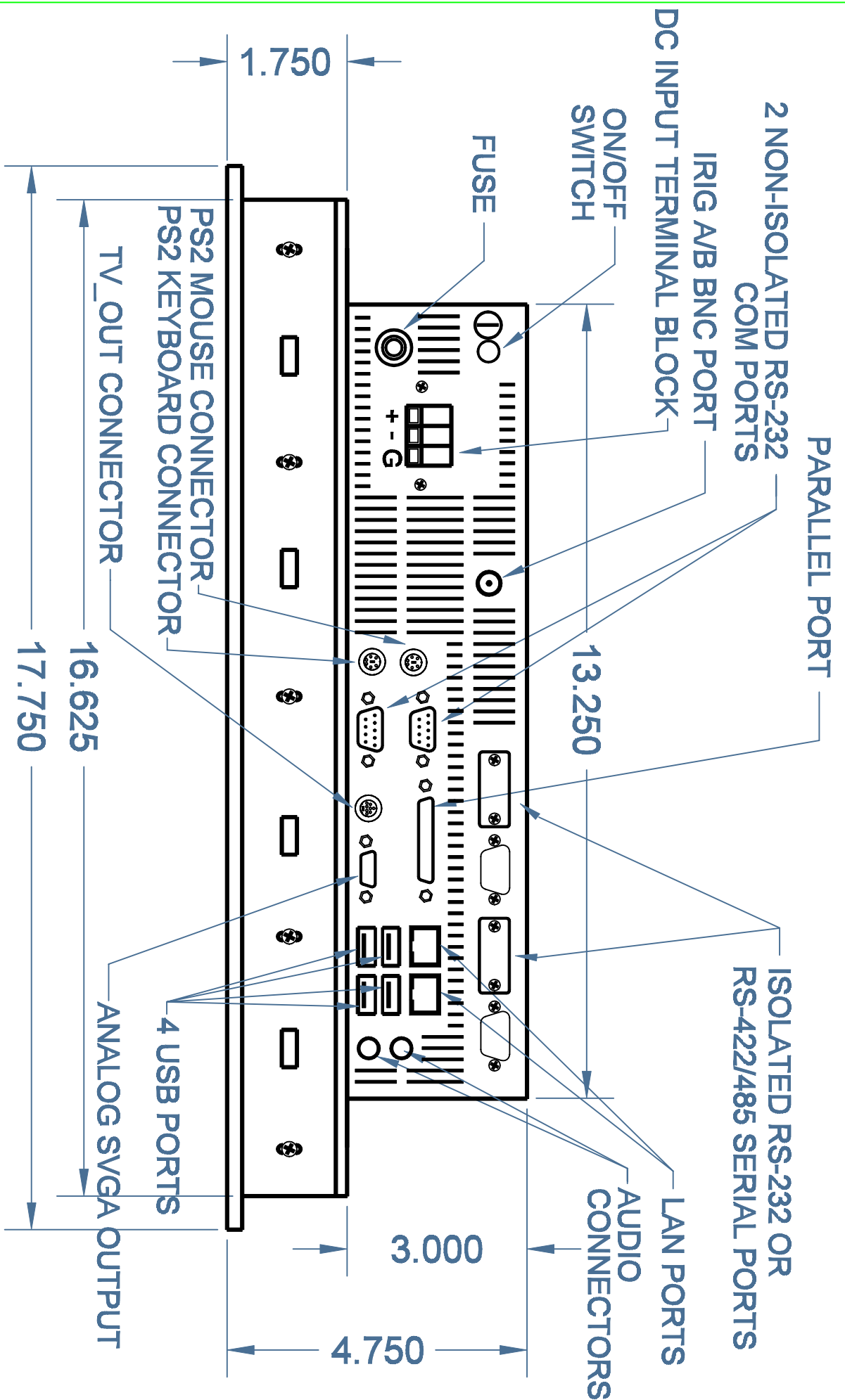
**NOTE: FOR DETAIL "A" LOOK  
DRAWING B-415**

DATE <b>02-14-2009</b>	DRAWN BY <b>B.G.</b>	MODEL <b>TR 5195F</b>	
PRODUCT <b>PANEL MOUNT VERSION</b>		REVISION	SCALE
FINISH <b>CRINKLE BLACK POWDER PAINT</b>	Transduction		CHECKED BY <b>NTS</b>
TITLE <b>LAYOUT</b>		DRAWING No <b>B-412</b>	



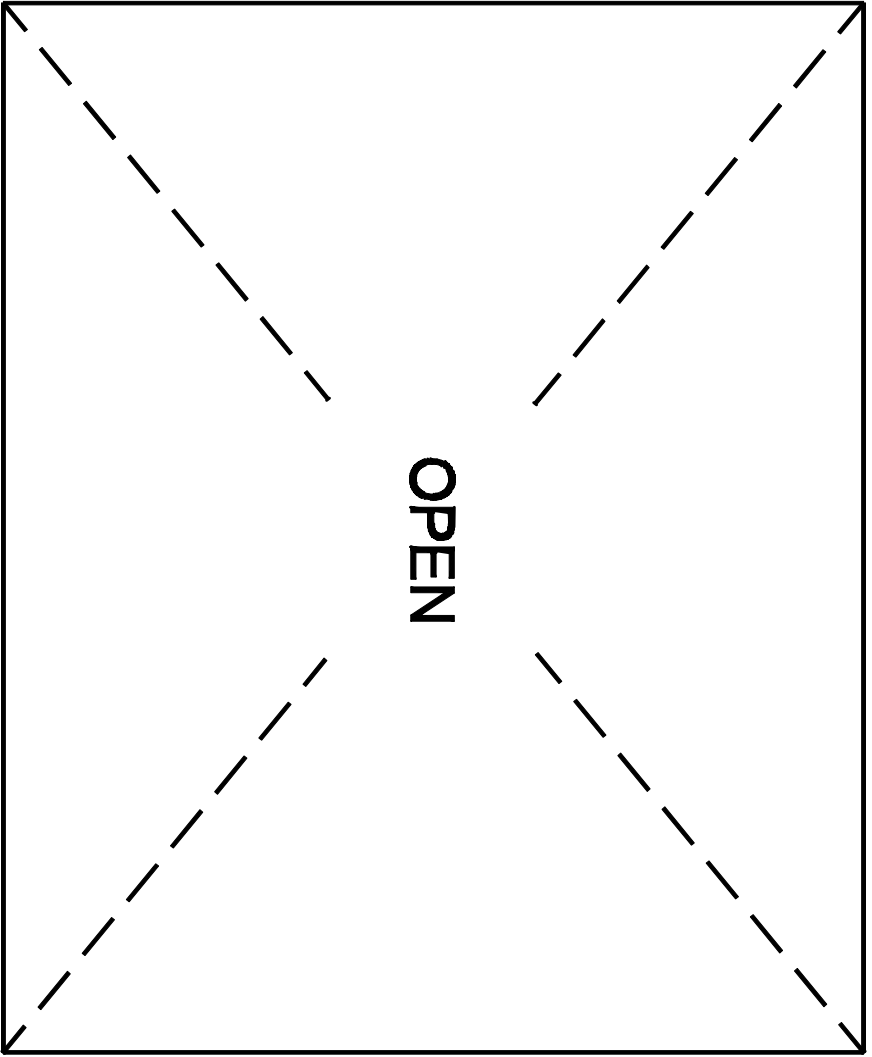
## BOTTOM VIEW

DATE	08-21-2009	DRAWN BY	B.G.	MODEL	TR5195F
PRODUCT	PANEL MOUNT VERSION			REVISION	SCALE
FINISH	CRINKLE BLACK POWDER PAINT	Transduction	CHECKED BY	NTS	
TITLE	LAYOUT			DRAWING No	B-413



# BOTTOM VIEW

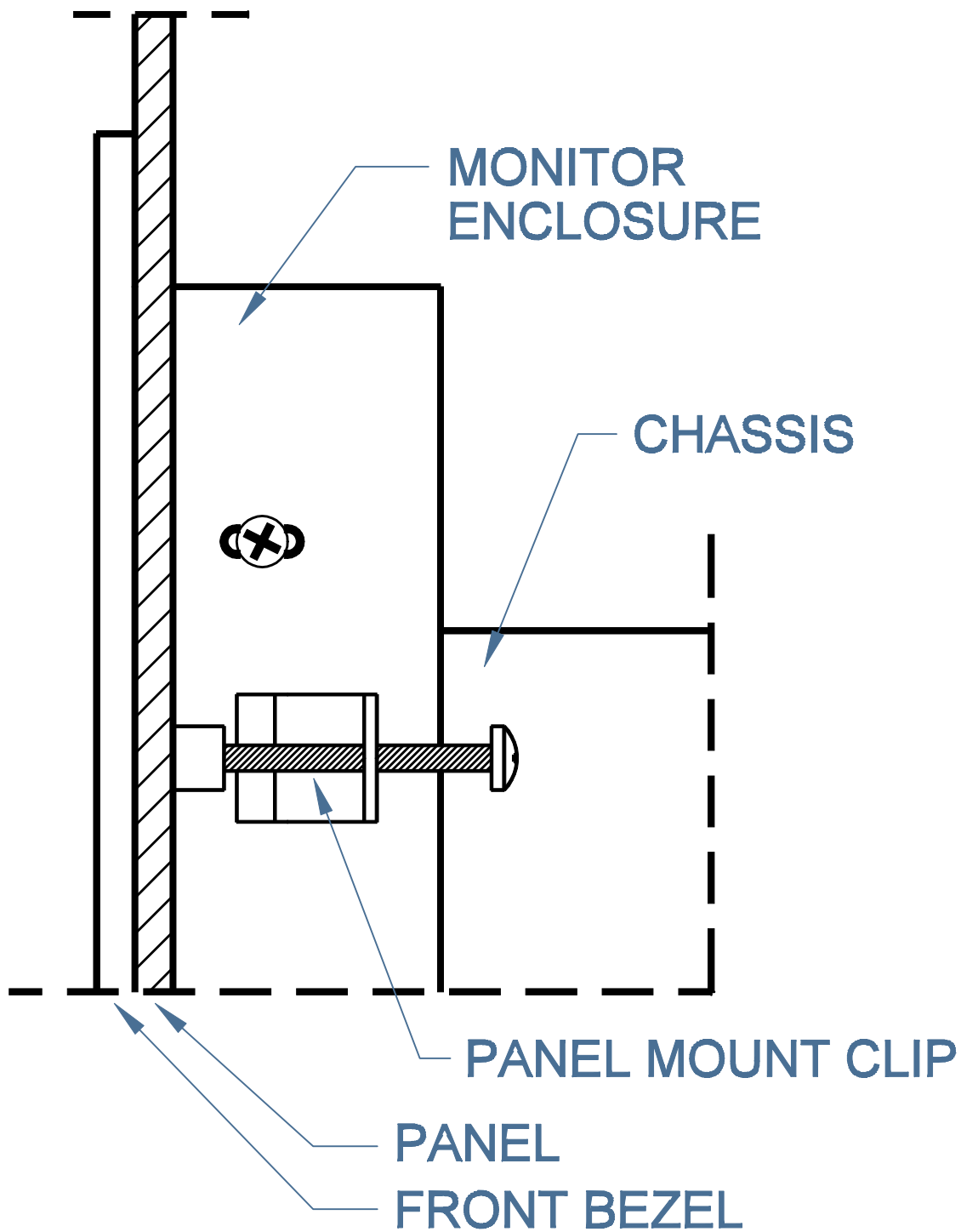
DATE	08-21-2009	DRAWN BY	B.G.	MODEL	TR5195F
PRODUCT	PANEL MOUNT VERSION			REVISION	SCALE
FINISH	GRINKLE BLACK POWDER PAINT	TRANS	Transduction	CHECKED BY	NTS
TITLE	LAYOUT			DRAWING No	B-413A
	DC INPUT OPTION				



16.950

13.900

DATE	02-14-2009	DRAWN BY	B.G.	MODEL	TR 5195F
PRODUCT	PANEL MOUNT VERSION			REVISION	
FINISH	CRINKLE BLACK POWDER PAINT	Transduction	CHECKED BY	NTS	
TITLE	CUTOUT			DRAWING NO	B-414



**NOTE: CLIP ATTACHED FROM BEHIND AFTER CHASSIS PLACEMENT IN THE PANEL OPENING**

DATE 02-14-2009	DRAWN BY B.G.	MODEL TR 5195F		
PRODUCT PANEL MOUNT VERSION			REVISION	SCALE
FINISH CRINKLE BLACK POWDER PAINT	Transduction		CHECKED BY	NTS
TITLE DETAIL "A"			DRAWING No B-415	