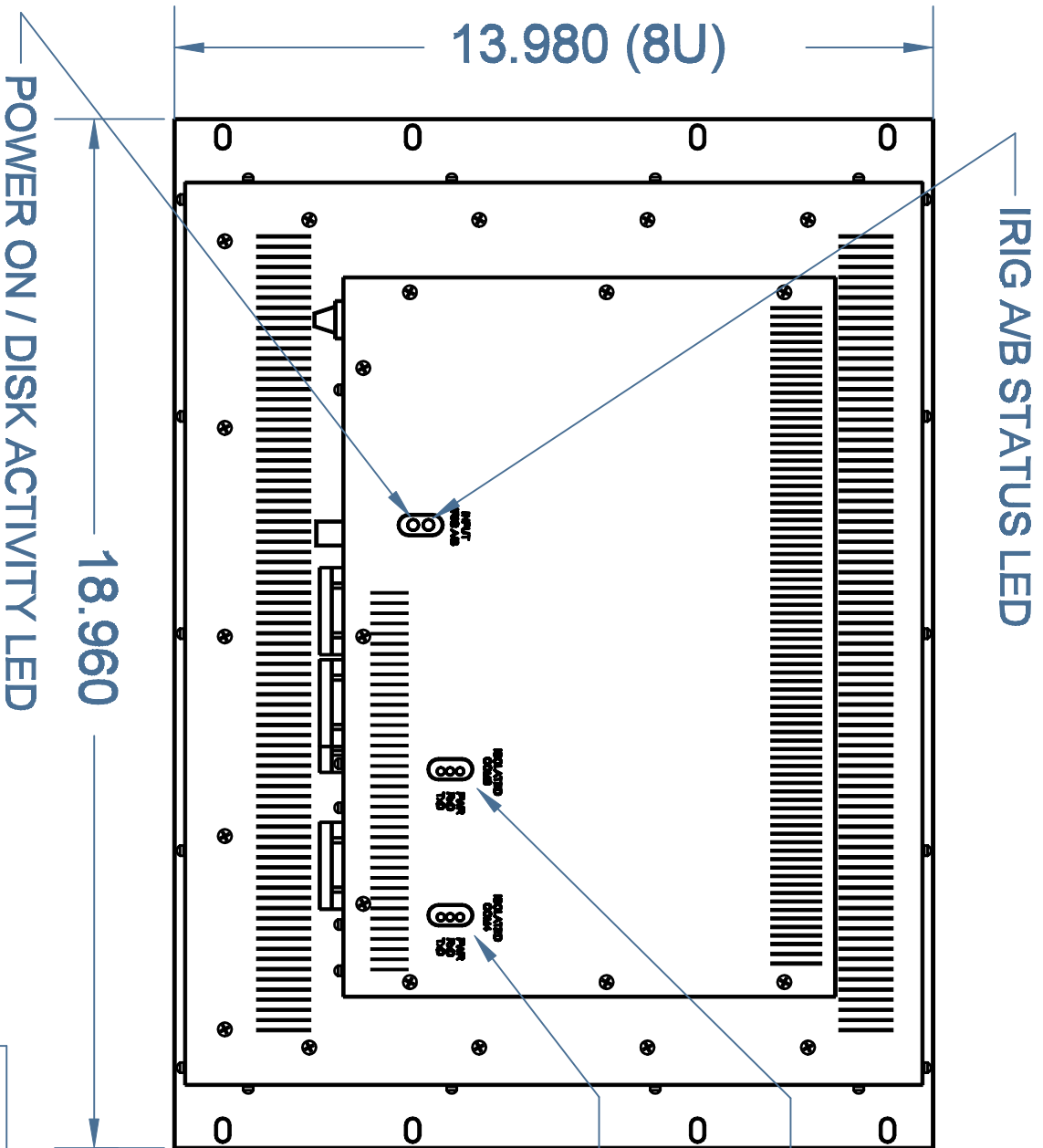


FRONT VIEW

| | | | | | |
|---------|--------------------|--------------|------------|------------|----------|
| DATE | 02-14-2009 | DRAWN BY | B.G. | MODEL | TR 5195F |
| PRODUCT | RACK MOUNT VERSION | | REVISION | | |
| FINISH | CRINKLE BLACK | TRANSDUCTION | CHECKED BY | NTS | |
| TITLE | LAYOUT | | | DRAWING No | B-416 |



IRIG AB STATUS LED

ISOLATED COM3 SERIAL PORT
POWER, RXD, TXD
STATUS LEDS

ISOLATED COM4 SERIAL PORT
POWER, RXD, TXD
STATUS LEDS

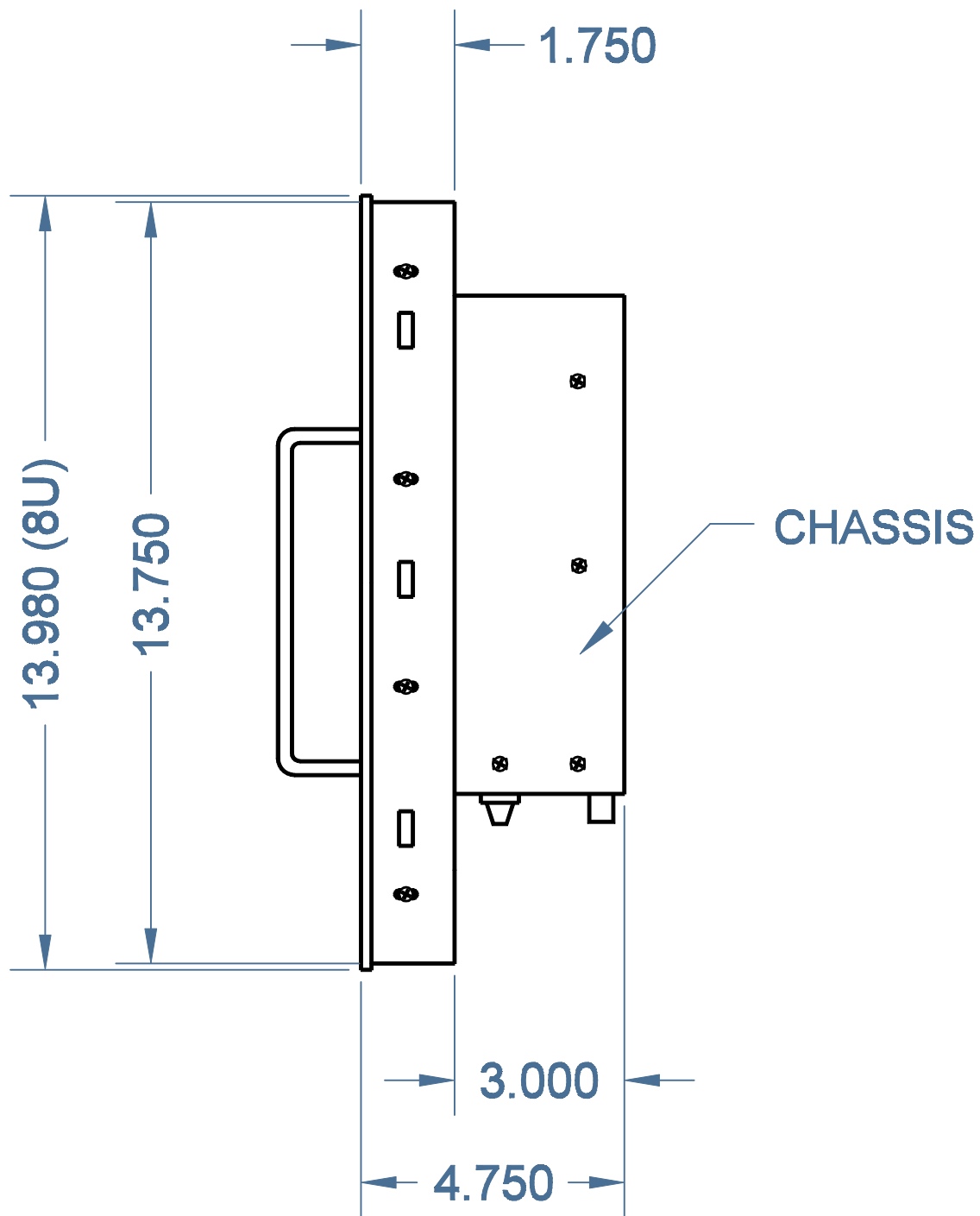
13.980 (8U)

18.960

POWER ON / DISK ACTIVITY LED

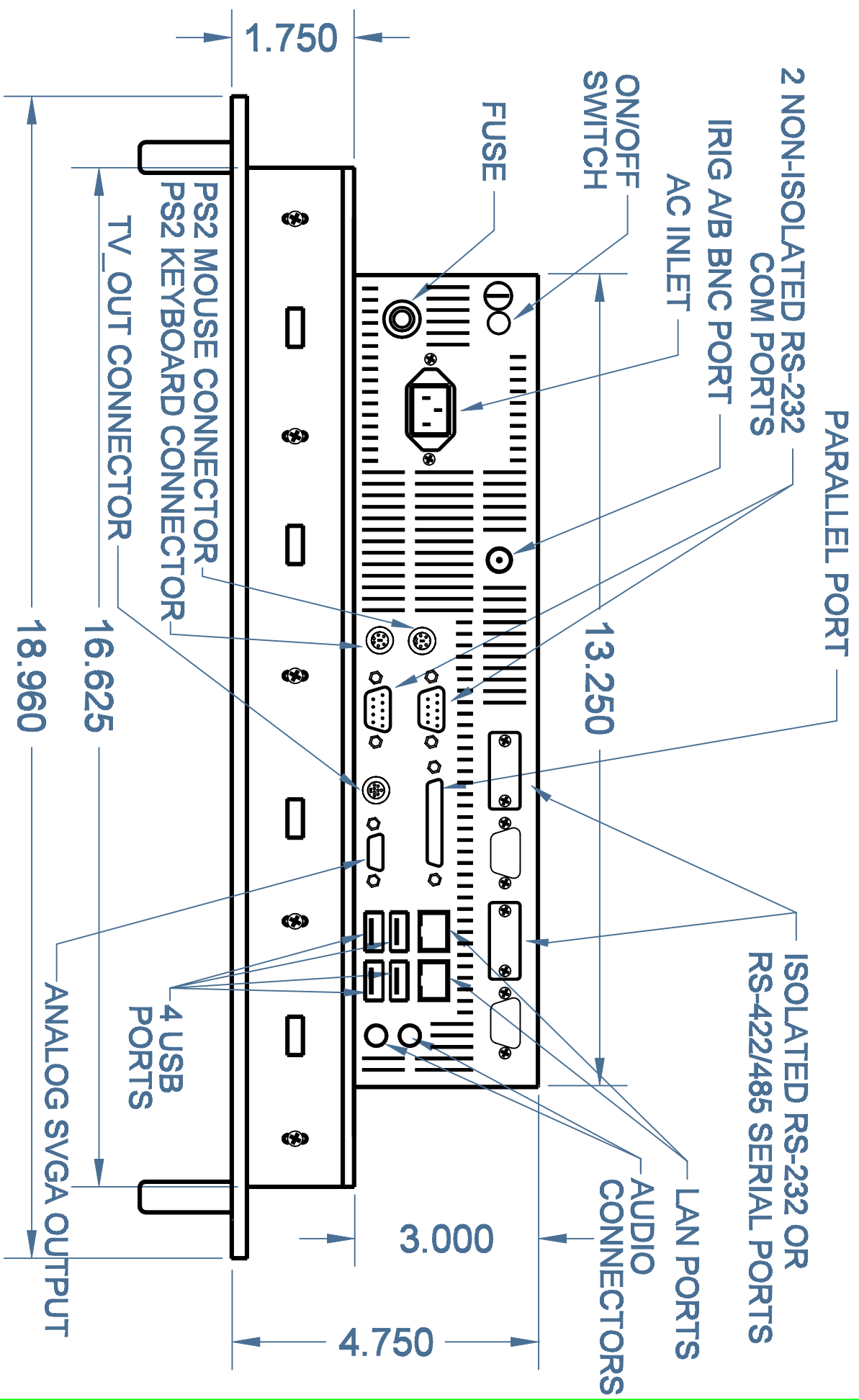
REAR VIEW

| | | | | | |
|---------|--------------------|--------------|------|------------|----------|
| DATE | 02-14-2009 | DRAWN BY | B.G. | MODEL | TR 5195F |
| PRODUCT | RACK MOUNT VERSION | | | REVISION | |
| FINISH | CRINKLE BLACK | Transduction | | CHECKED BY | NTS |
| | POWDER PAINT | | | SCALE | |
| TITLE | LAYOUT | | | DRAWING No | B-417 |



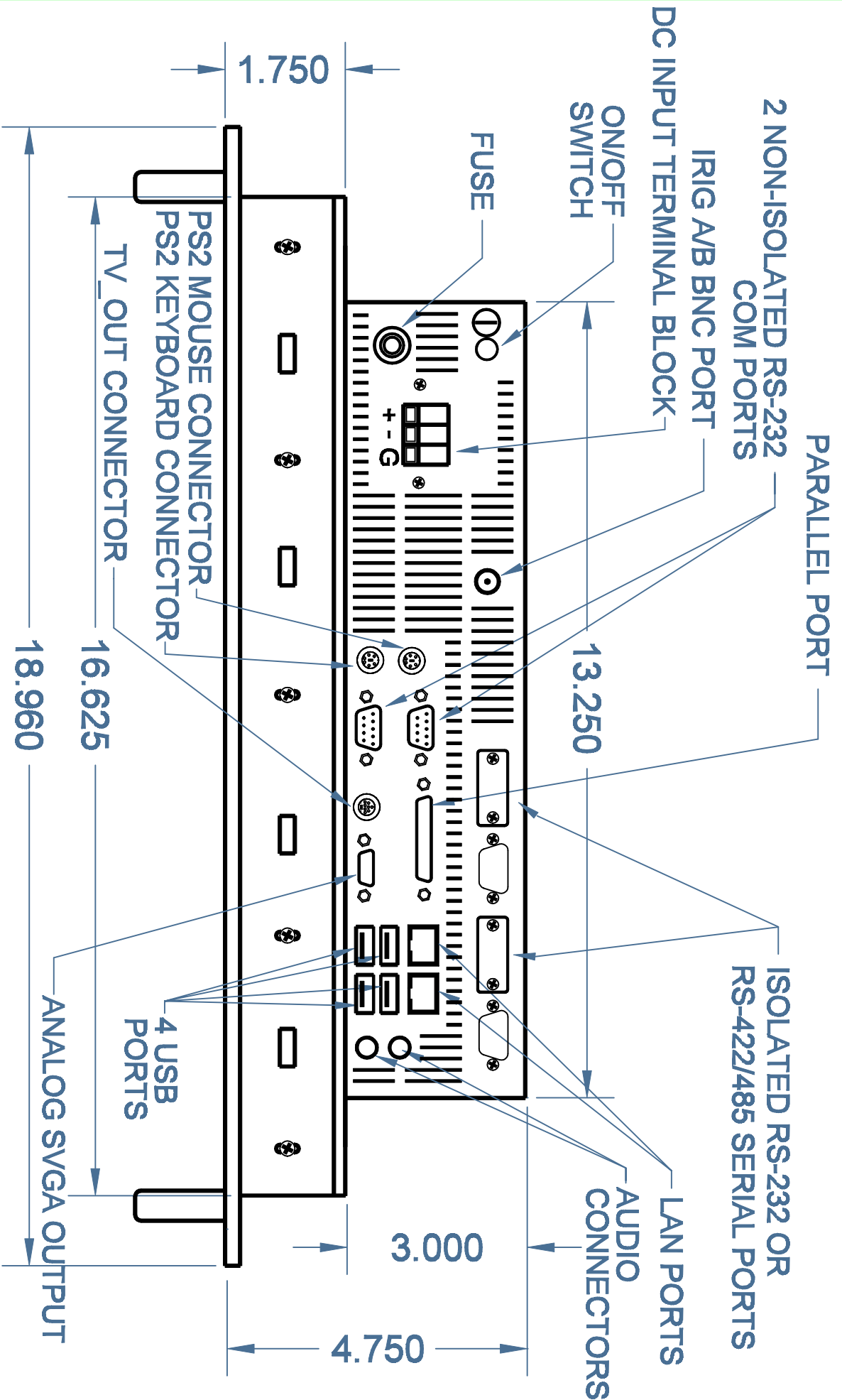
RIGHT SIDE VIEW

| | | | |
|---|-------------------------|----------------------------|--------------------------|
| DATE 02-14-2009 | DRAWN BY B.G. | MODEL TR 5195F | |
| PRODUCT RACK MOUNT VERSION | | REVISION | SCALE |
| FINISH CRINKLE BLACK POWDER PAINT | Transduction | | CHECKED BY NTS |
| TITLE LAYOUT | | DRAWING No B-418 | |



BOTTOM VIEW

| | | | | | |
|---------|--------------------|------------|--------------|------------|---------|
| DATE | 08-21-2009 | DRAWN BY | B.G. | MODEL | TR5195F |
| PRODUCT | RACK MOUNT VERSION | | | REVISION | SCALE |
| FINISH | CRINKLE BLACK | CHECKED BY | Transduction | NTS | |
| TITLE | LAYOUT | | | DRAWING NO | B-419 |



BOTTOM VIEW

| | | | | | |
|---------|----------------------------|---------------|------------|------------|---------|
| DATE | 08-21-2009 | DRAWN BY | B.G. | MODEL | TR5195F |
| PRODUCT | RACK MOUNT VERSION | | | REVISION | |
| FINISH | CRINKLE BLACK POWDER PAINT | TRANSDUCATION | CHECKED BY | NTS | |
| TITLE | LAYOUT | | | DRAWING No | B-419A |
| | DC INPUT OPTION | | | | |