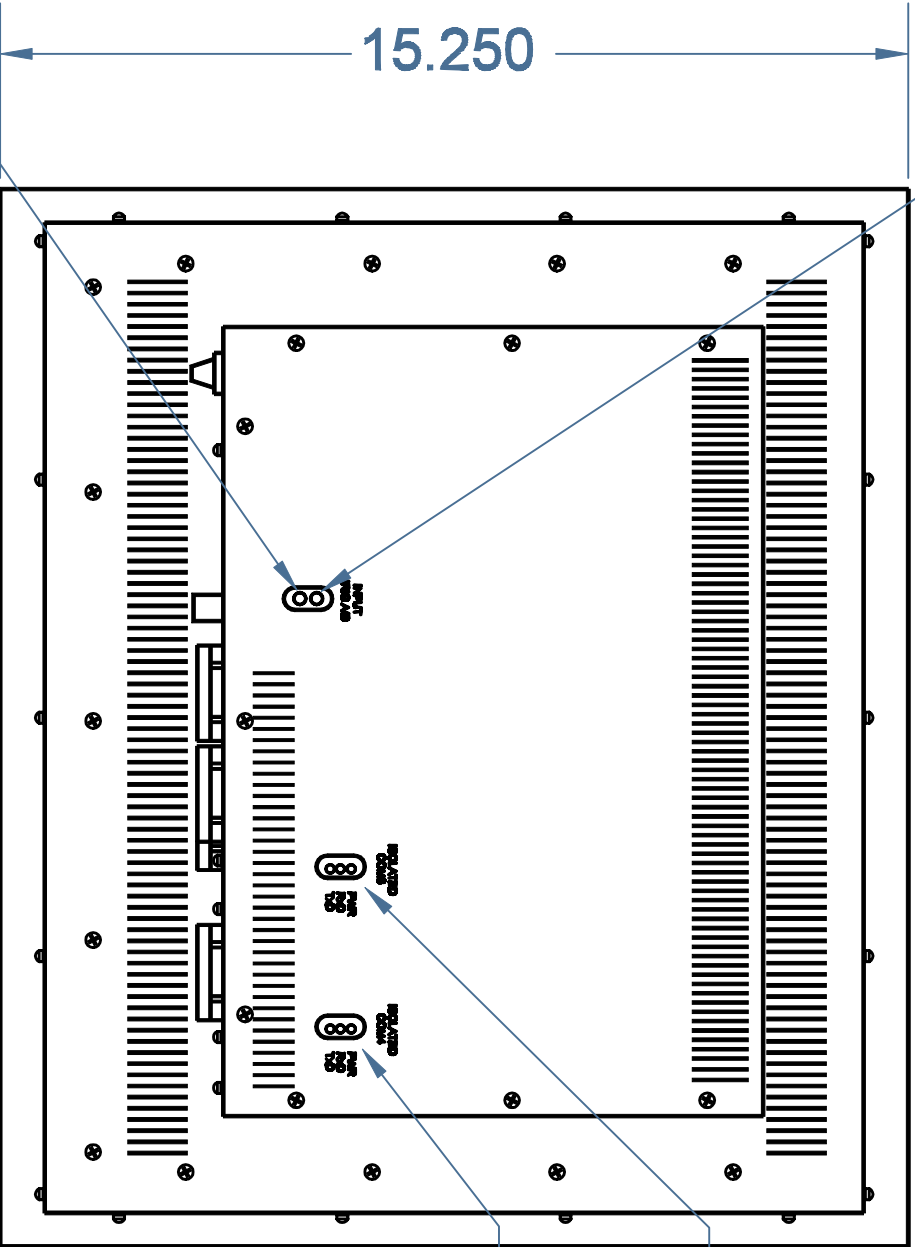


19" LCD MONITOR

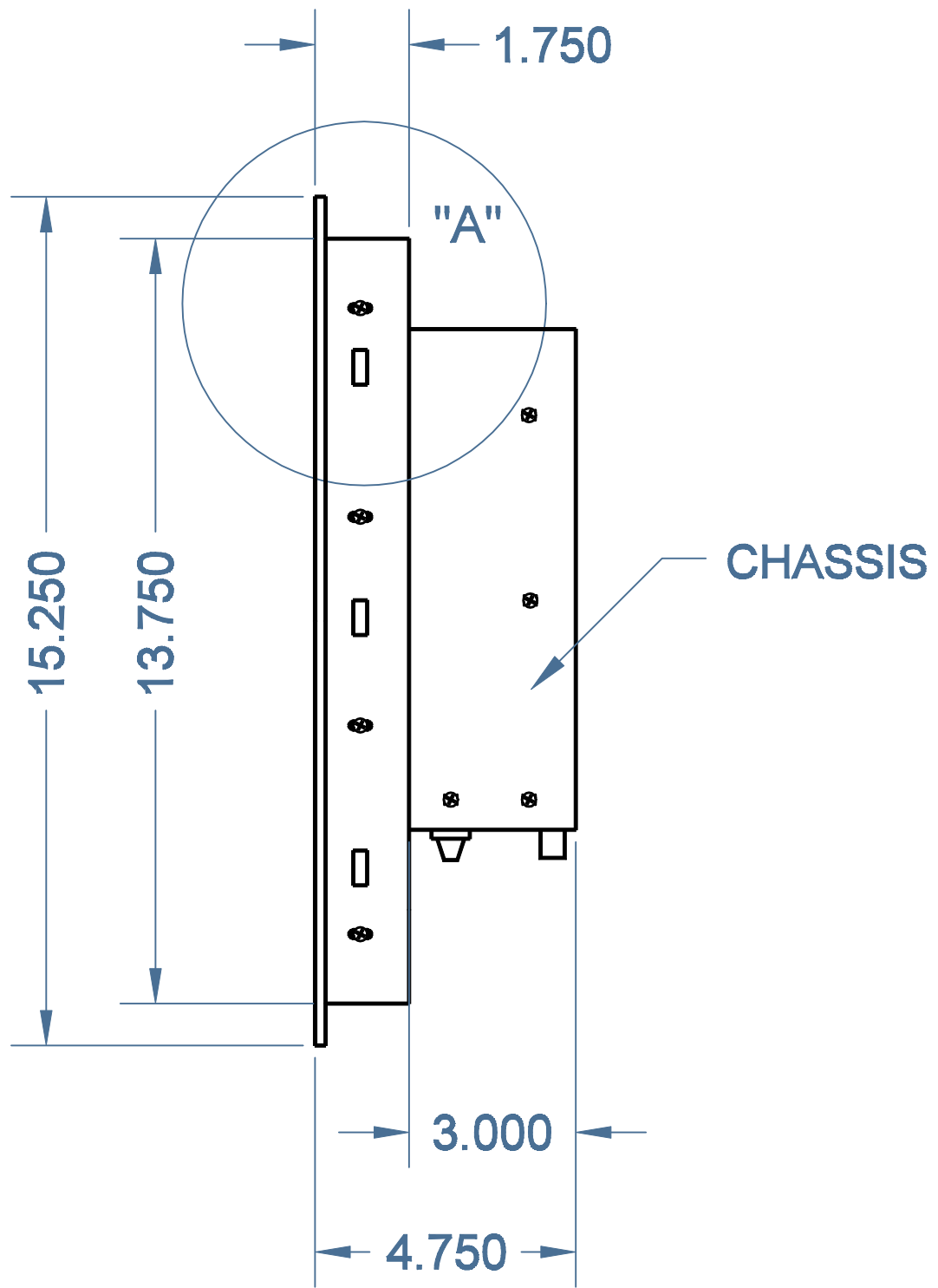
**FRONT VIEW**

DATE	DRAWN BY	MODEL	TR 5195F
02-14-2009	B.G.		
PRODUCT	PANEL MOUNT VERSION		REVISION
FINISH	Transduction	CHECKED BY	
CRINKLE BLACK POWDER PAINT		NTS	
TITLE	DRAWING No.	SCALE	
LAYOUT	B-410		



**REAR VIEW**

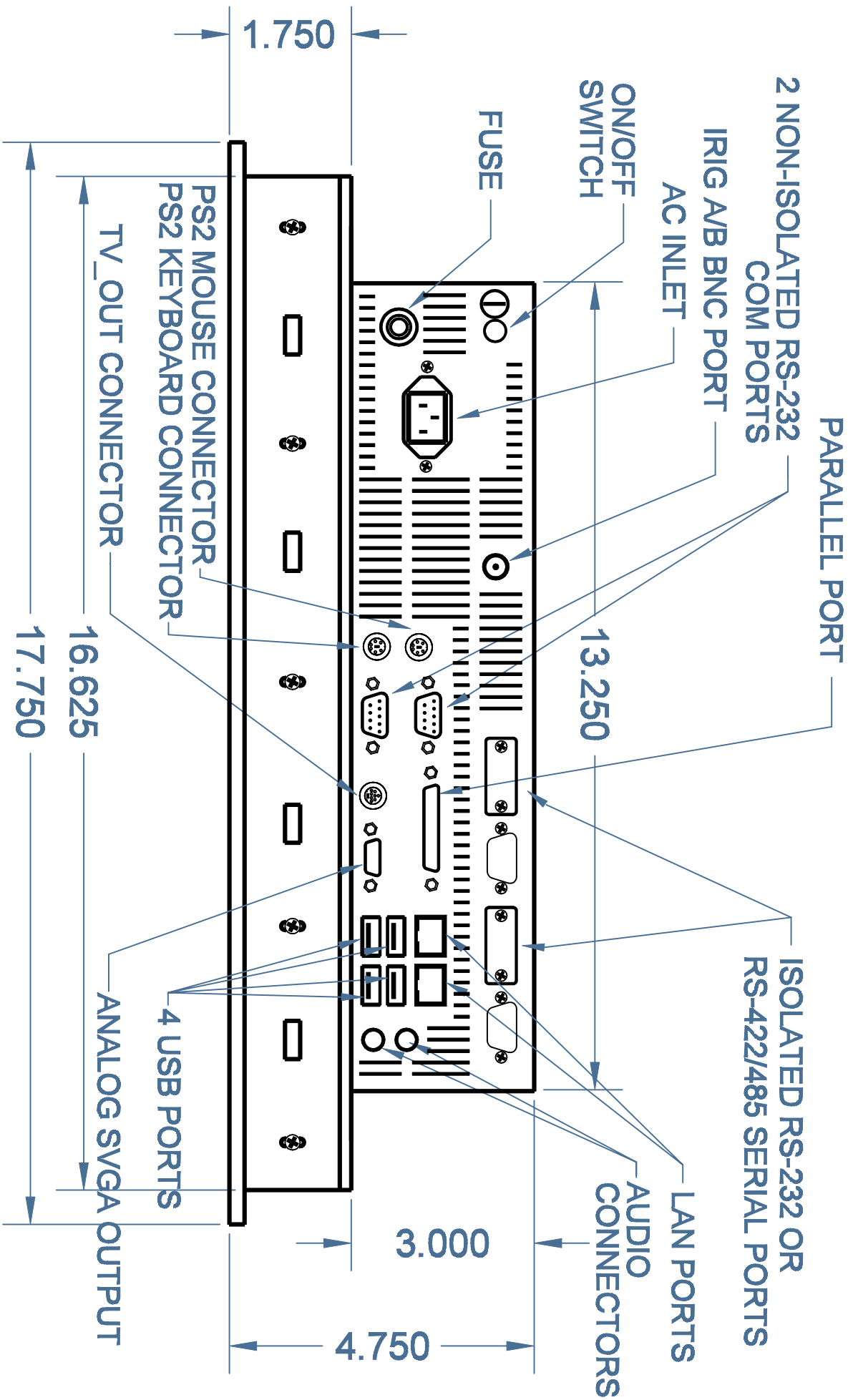
DATE	02-14-2009	DRAWN BY	B.G.	MODEL	TR 5195F
PRODUCT	PANEL MOUNT VERSION			REVISION	
FINISH	CRINKLE BLACK POWDER PAINT	Transduction	CHECKED BY	NTS	
TITLE	LAYOUT			DRAWING No	B-411



**RIGHT SIDE VIEW**

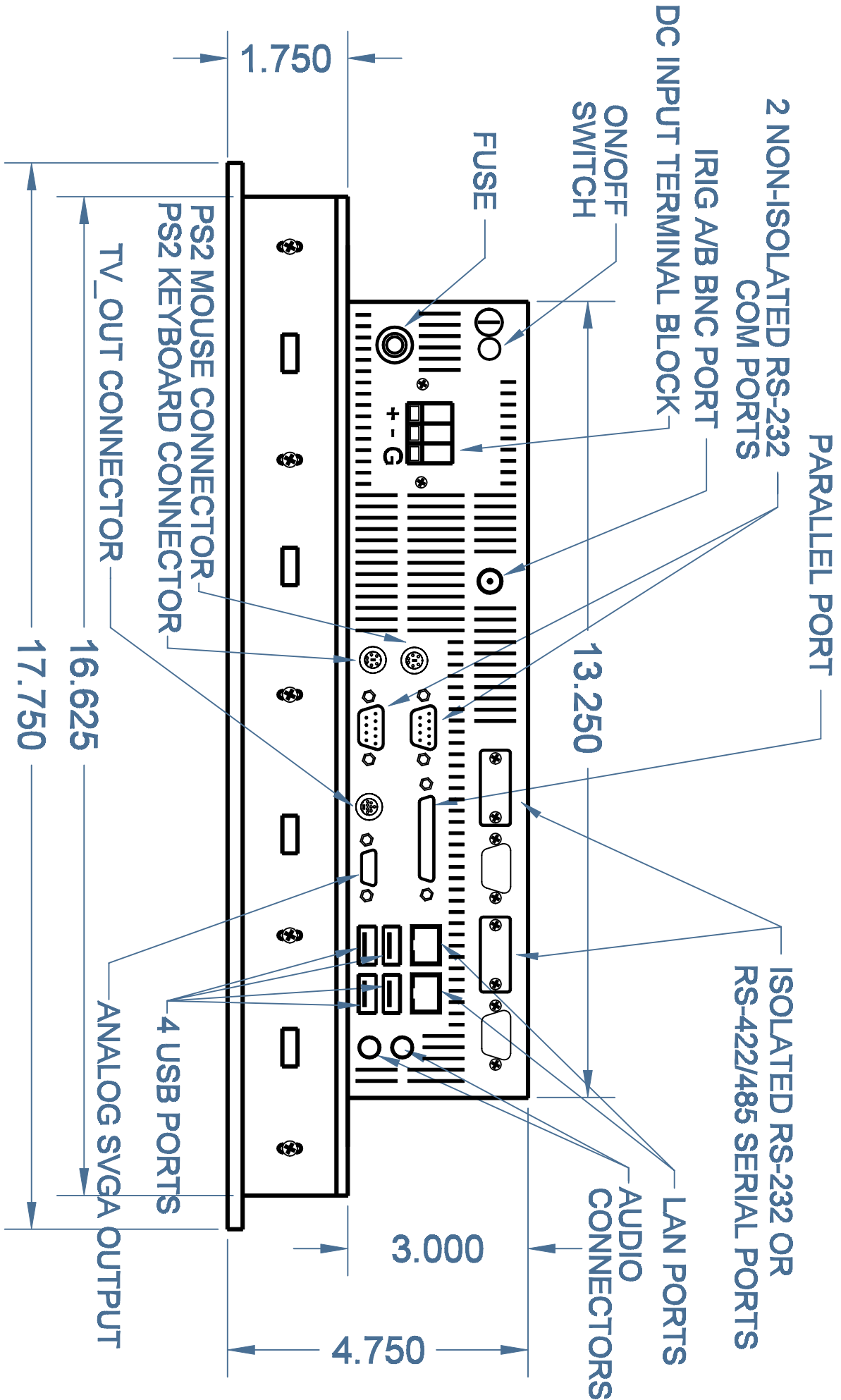
**NOTE: FOR DETAIL "A" LOOK  
DRAWING B-415**

DATE <b>02-14-2009</b>	DRAWN BY <b>B.G.</b>	MODEL <b>TR 5195F</b>	
PRODUCT <b>PANEL MOUNT VERSION</b>		REVISION	SCALE
FINISH <b>CRINKLE BLACK POWDER PAINT</b>	Transduction		CHECKED BY <b>NTS</b>
TITLE <b>LAYOUT</b>		DRAWING No <b>B-412</b>	



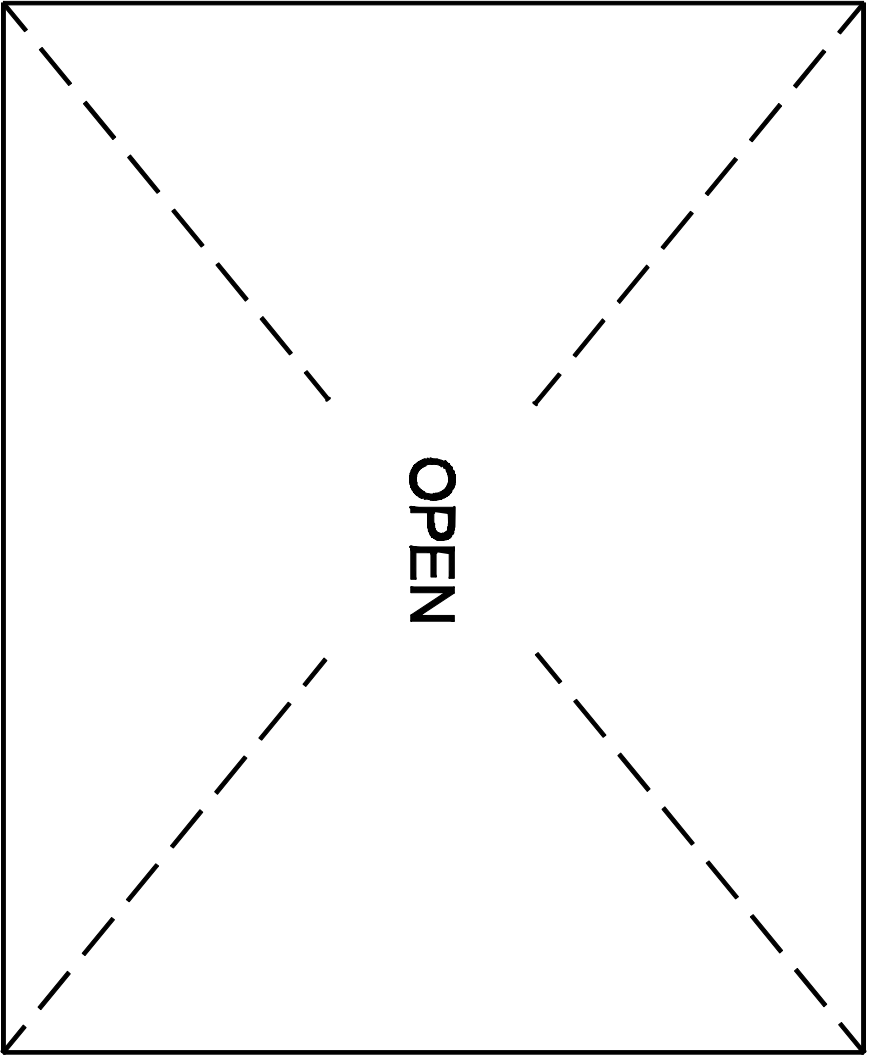
## BOTTOM VIEW

DATE	08-21-2009	DRAWN BY	B.G.	MODEL	TR5195F
PRODUCT	PANEL MOUNT VERSION			REVISION	SCALE
FINISH	CRINKLE BLACK POWDER PAINT	Transduction	CHECKED BY	NTS	
TITLE	LAYOUT			DRAWING No	B-413



# BOTTOM VIEW

DATE	08-21-2009	DRAWN BY	B.G.	MODEL	TR5195F
PRODUCT	PANEL MOUNT VERSION			REVISION	SCALE
FINISH	GRINKLE BLACK POWDER PAINT	Transduction		CHECKED BY	NTS
TITLE	LAYOUT			DRAWING No	B-413A
	DC INPUT OPTION				

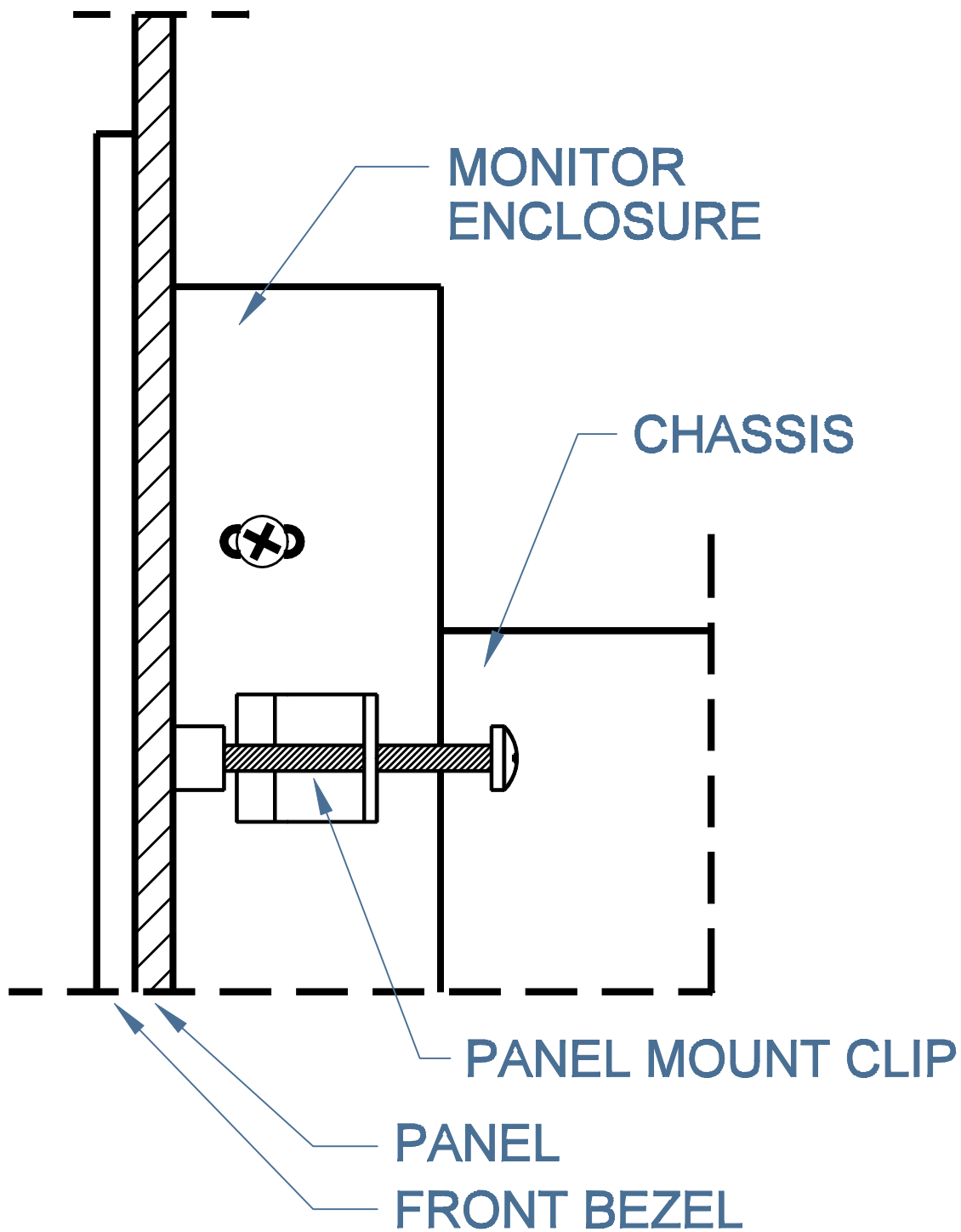


**OPEN**

**16.950**

**13.900**

DATE	02-14-2009	DRAWN BY	B.G.	MODEL	TR 5195F
PRODUCT	PANEL MOUNT VERSION			REVISION	
FINISH	CRINKLE BLACK POWDER PAINT	Transduction	CHECKED BY	NTS	SCALE
TITLE	CUTOUT		DRAWING NO	B-414	



**NOTE: CLIP ATTACHED FROM BEHIND AFTER CHASSIS PLACEMENT IN THE PANEL OPENING**

DATE 02-14-2009	DRAWN BY B.G.	MODEL TR 5195F		
PRODUCT PANEL MOUNT VERSION			REVISION	SCALE
FINISH CRINKLE BLACK POWDER PAINT	Transduction		CHECKED BY	NTS
TITLE DETAIL "A"			DRAWING No B-415	