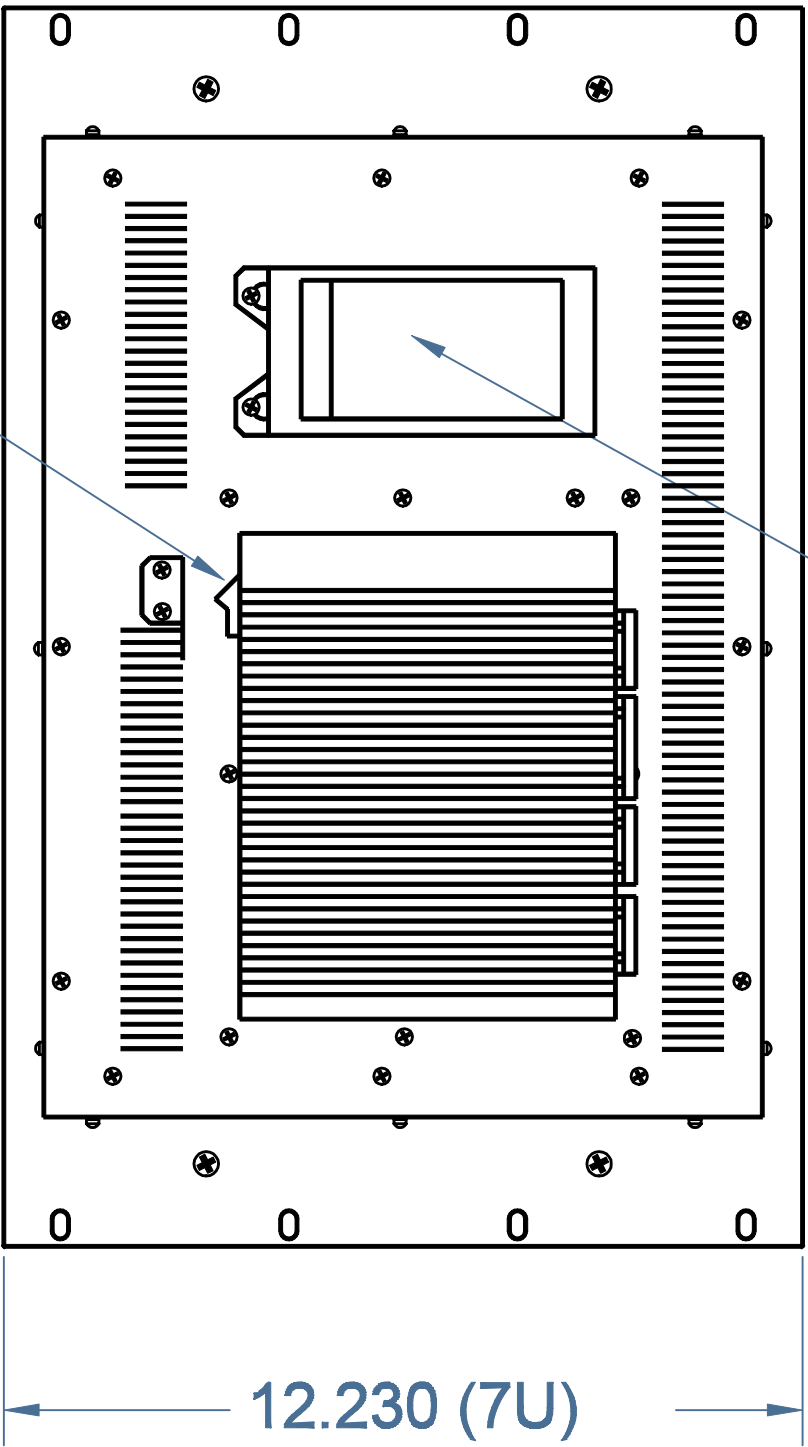


FRONT VIEW

DATE	02-07-2009	DRAWN BY	B.G.	MODEL	TR 5915
PRODUCT	RACK MOUNT VERSION			REVISION	SCALE
FINISH	CRINKLE BLACK	Transduction	CHECKED BY	NTS	
TITLE	LAYOUT			DRAWING No	B-405



DETACHABLE POWER SUPPLY

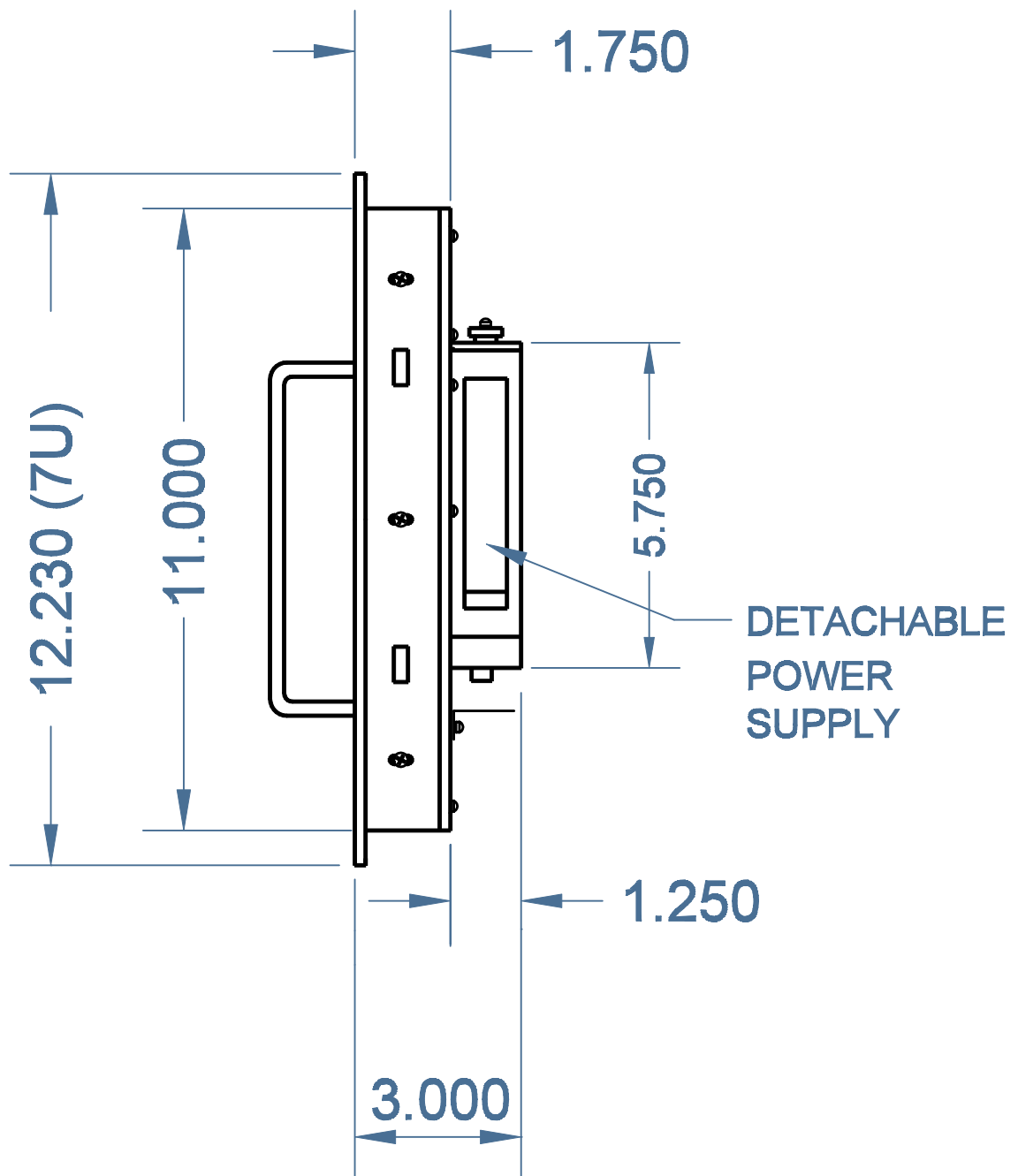
ON/OFF SWITCH

REAR VIEW

18.960

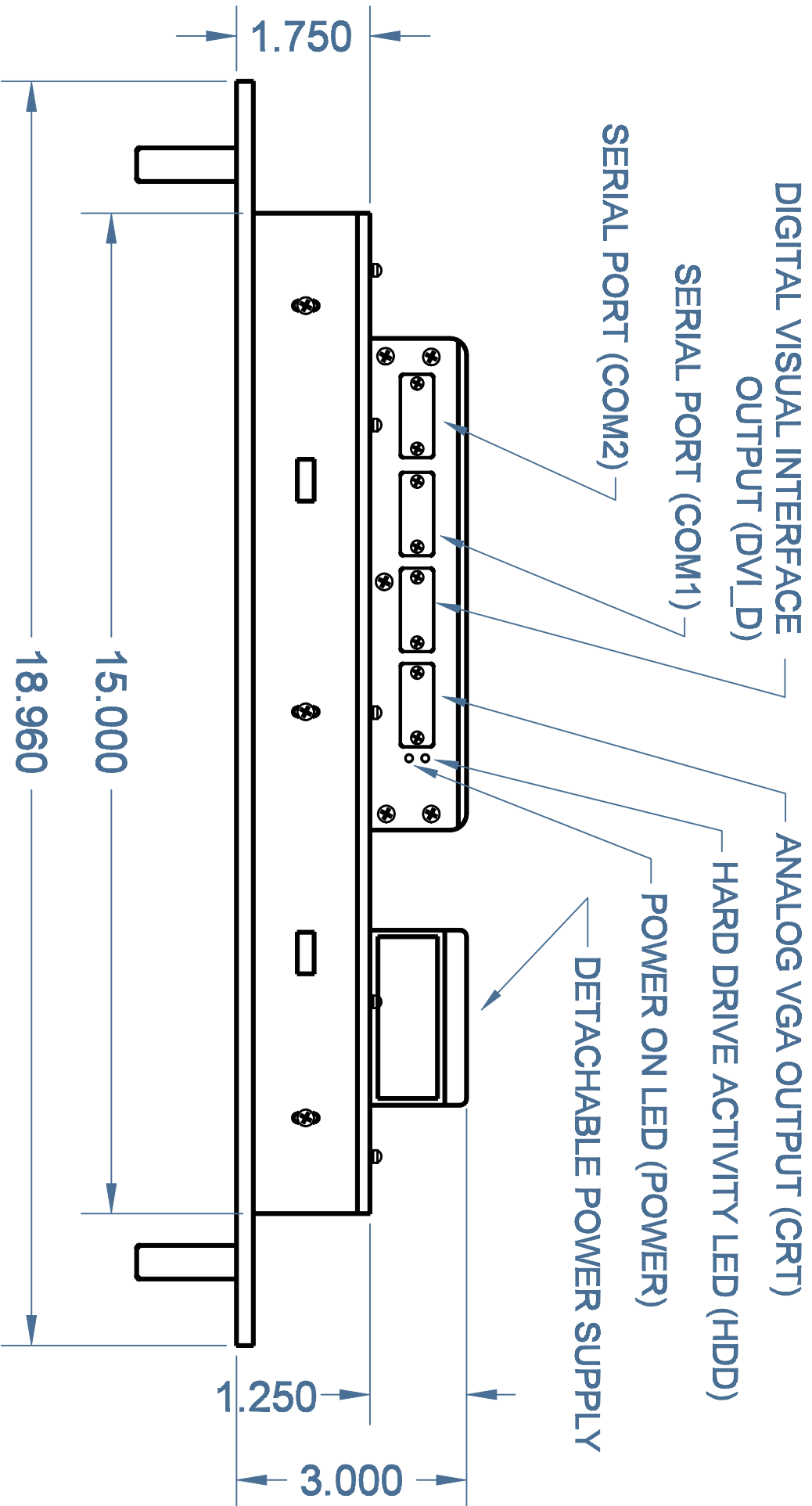
12.230 (7U)

DATE	02-07-2009	DRAWN BY	B.G.	MODEL	TR 5915
PRODUCT	RACK MOUNT VERSION			REVISION	SCALE
FINISH	CRINKLE BLACK POWDER PAINT	Transduction	CHECKED BY	NTS	
TITLE	LAYOUT			DRAWING No	B-406



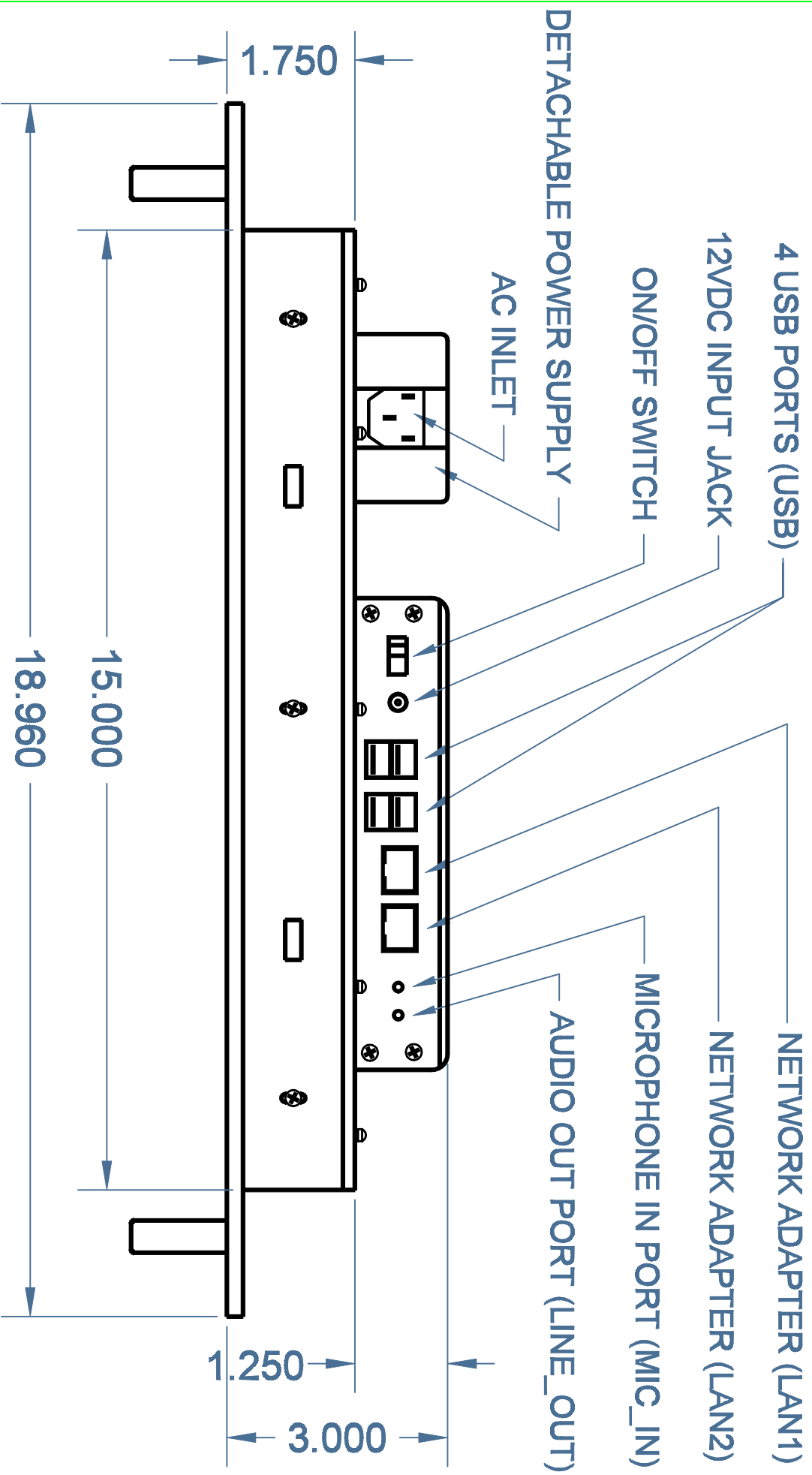
RIGHT SIDE VIEW

DATE 02-07-2009	DRAWN BY B.G.	MODEL TR 5915		
PRODUCT RACK MOOUNT VERSION			REVISION	SCALE
FINISH CRINKLE BLACK POWDER PAINT	Transduction		CHECKED BY	NTS
TITLE LAYOUT			DRAWING No B-407	



TOP VIEW

DATE	02-07-2009	DRAWN BY	B.G.	MODEL	TR 5915
PRODUCT	RACK MOUNT VERSION			REVISION	SCALE
FINISH	CRINKLE BLACK POWDER PAINT	Transduction	CHECKED BY	NTS	
TITLE	LAYOUT			DRAWING No	B-408



BOTTOM VIEW

DATE	02-07-2009	DRAWN BY	B.G.	MODEL	TR 5915
PRODUCT	RACK MOUNT VERSION			REVISION	SCALE
FINISH	CRINKLE BLACK	Transduction	CHECKED BY	NTS	
TITLE	LAYOUT			DRAWING No	B-409