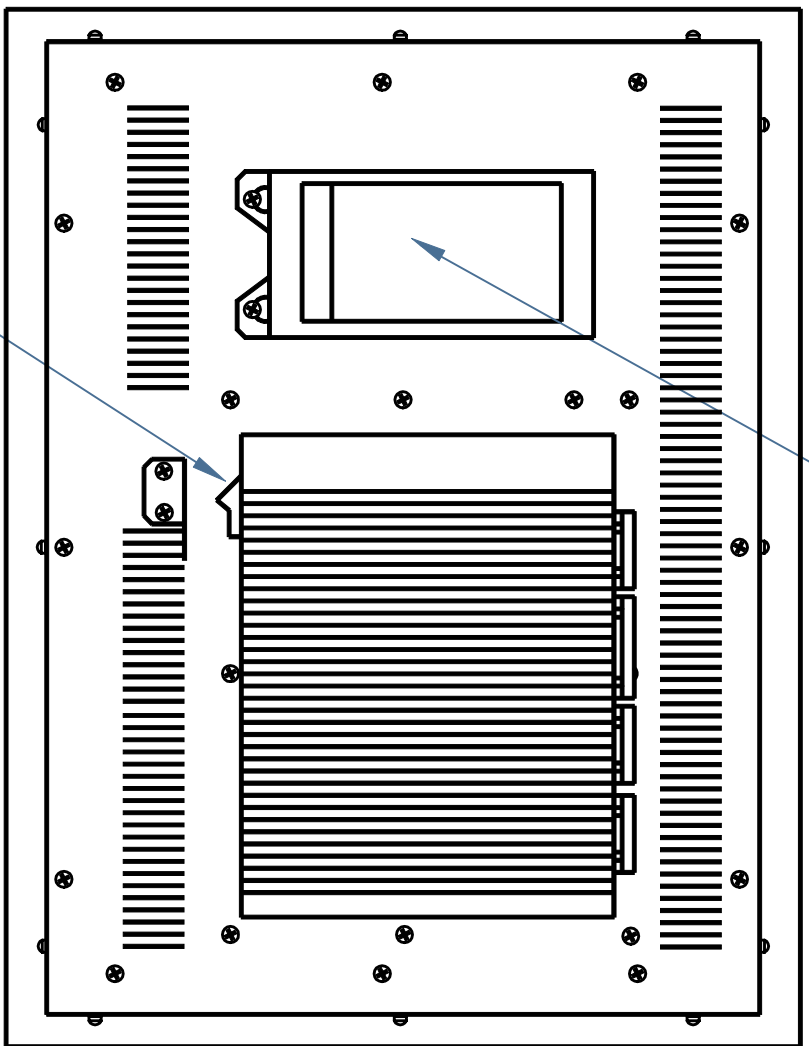


**FRONT VIEW**

15" LCD MONITOR

DATE	02-07-2009	DRAWN BY	B.G.	MODEL	TR 5915
PRODUCT	PANEL MOUNT VERSION			REVISION	SCALE
FINISH	CRINKLE BLACK	Transduction	CHECKED BY	NTS	
TITLE	LAYOUT			DRAWING No	B-398

DETACHABLE POWER SUPPLY



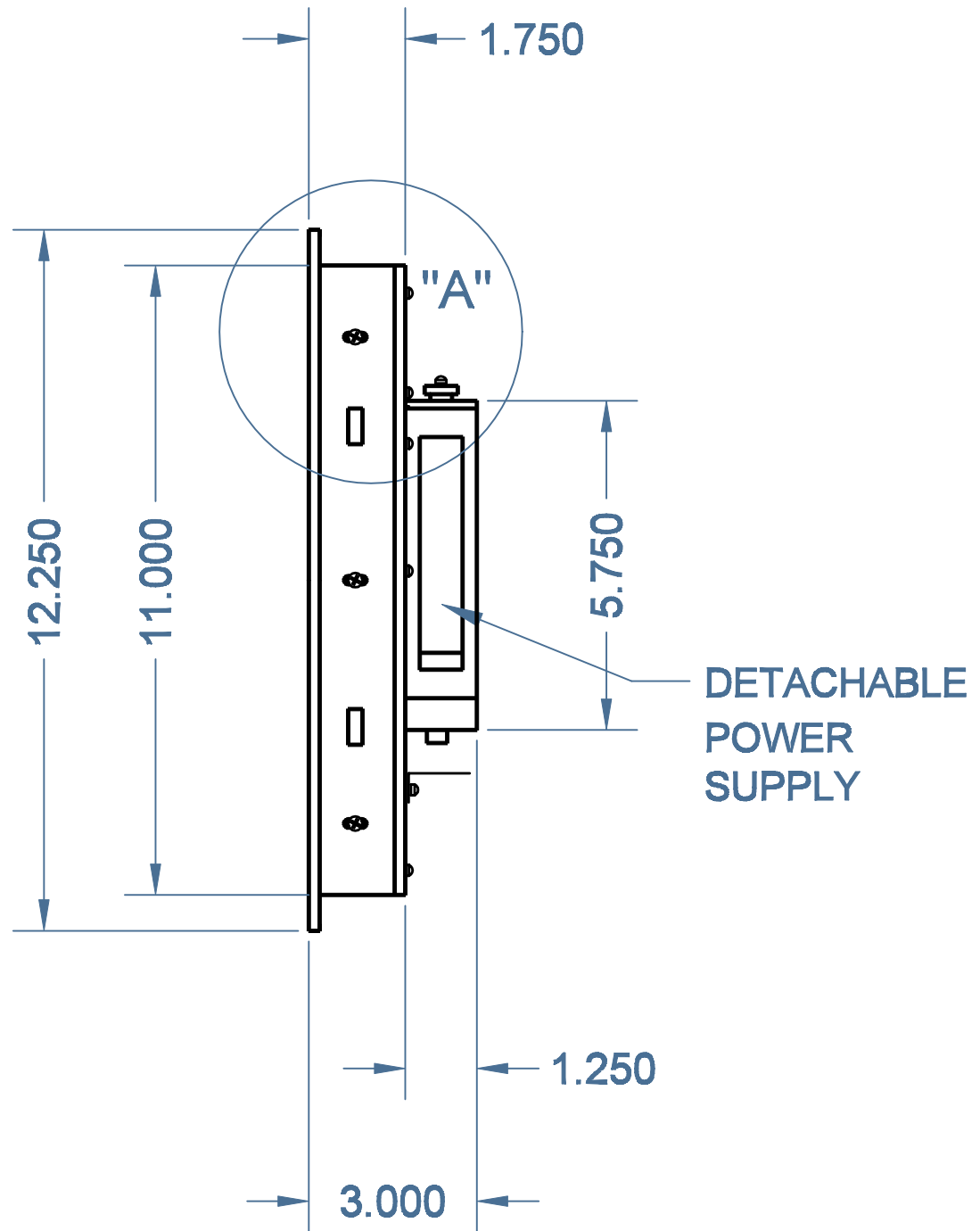
16.000

12.250

ON/OFF SWITCH

REAR VIEW

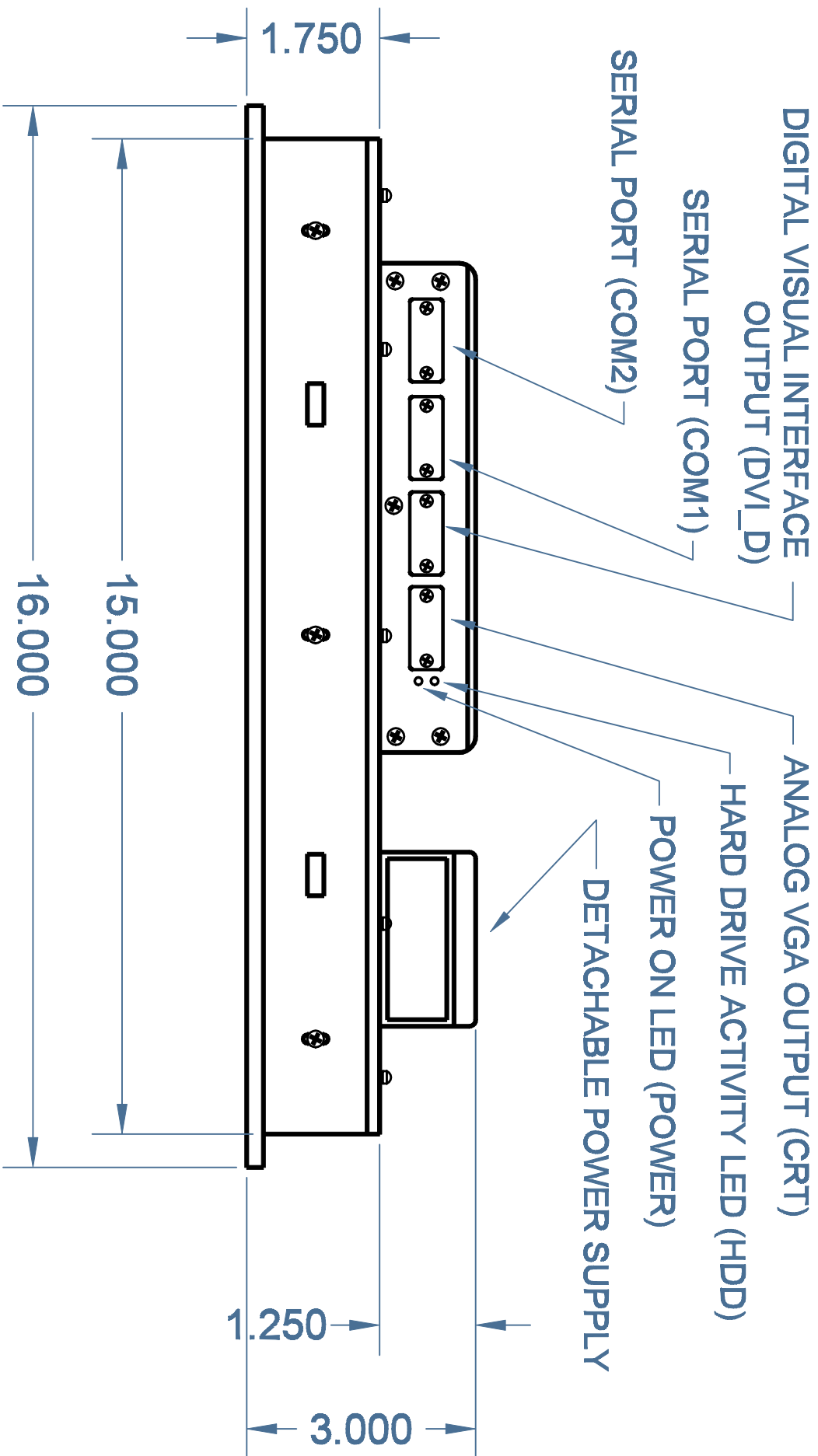
DATE	02-07-2009	DRAWN BY	B.G.	MODEL	TR 5915	REVISION		SCALE	
PRODUCT	PANEL MOUNT VERSION								
FINISH	CRINKLE BLACK POWDER PAINT		Transduction			CHECKED BY		NTS	
TITLE	LAYOUT			DRAWING No	B-399				



RIGHT SIDE VIEW

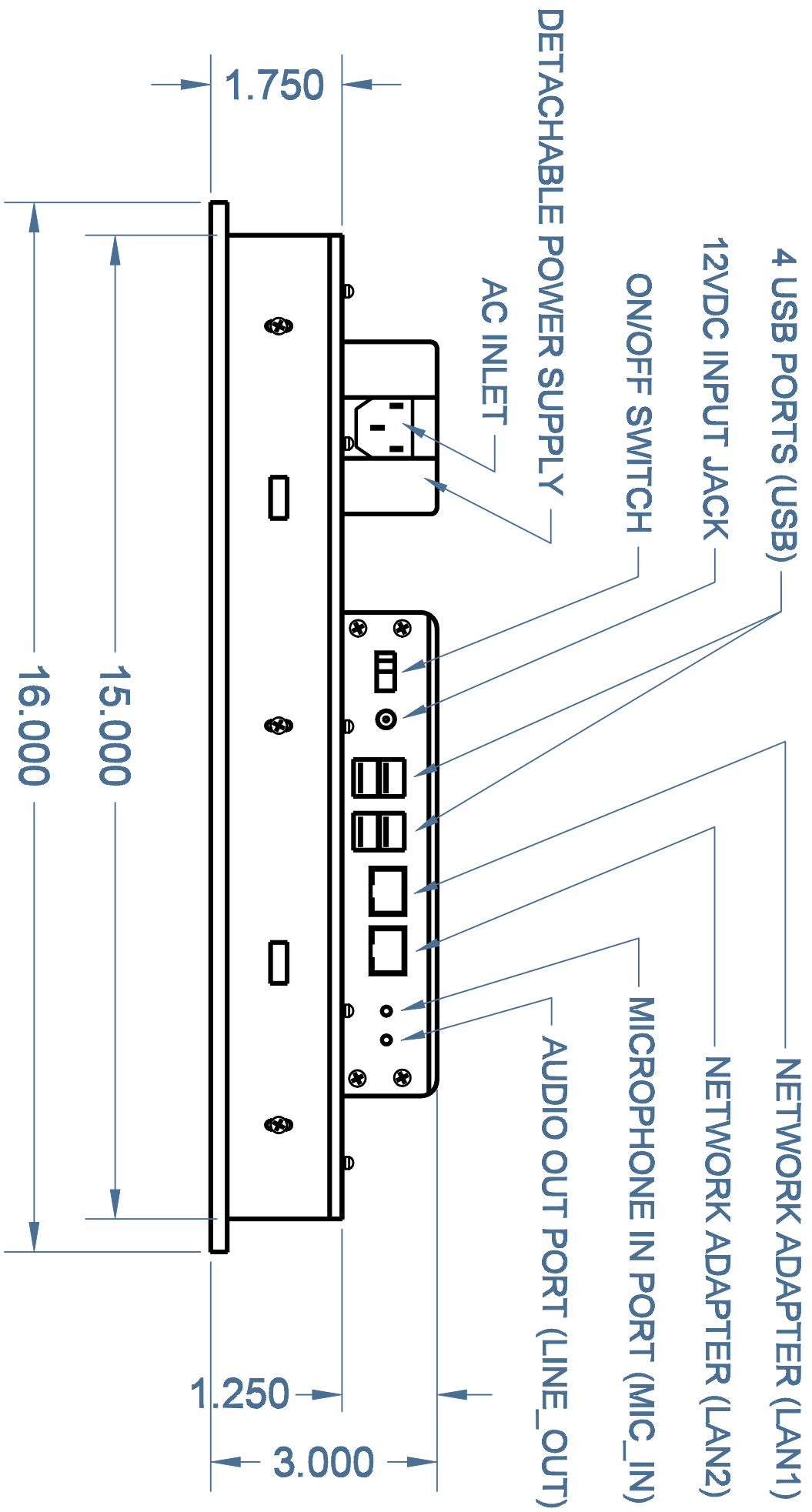
NOTE: FOR DETAIL "A" LOOK  
DRAWING B-404

DATE 02-07-2009	DRAWN BY B.G.	MODEL TR 5915		
PRODUCT PANEL MOUNT VERSION		REVISION	SCALE	
FINISH CRINKLE BLACK POWDER PAINT	Transduction		CHECKED BY	NTS
TITLE LAYOUT			DRAWING No B-400	



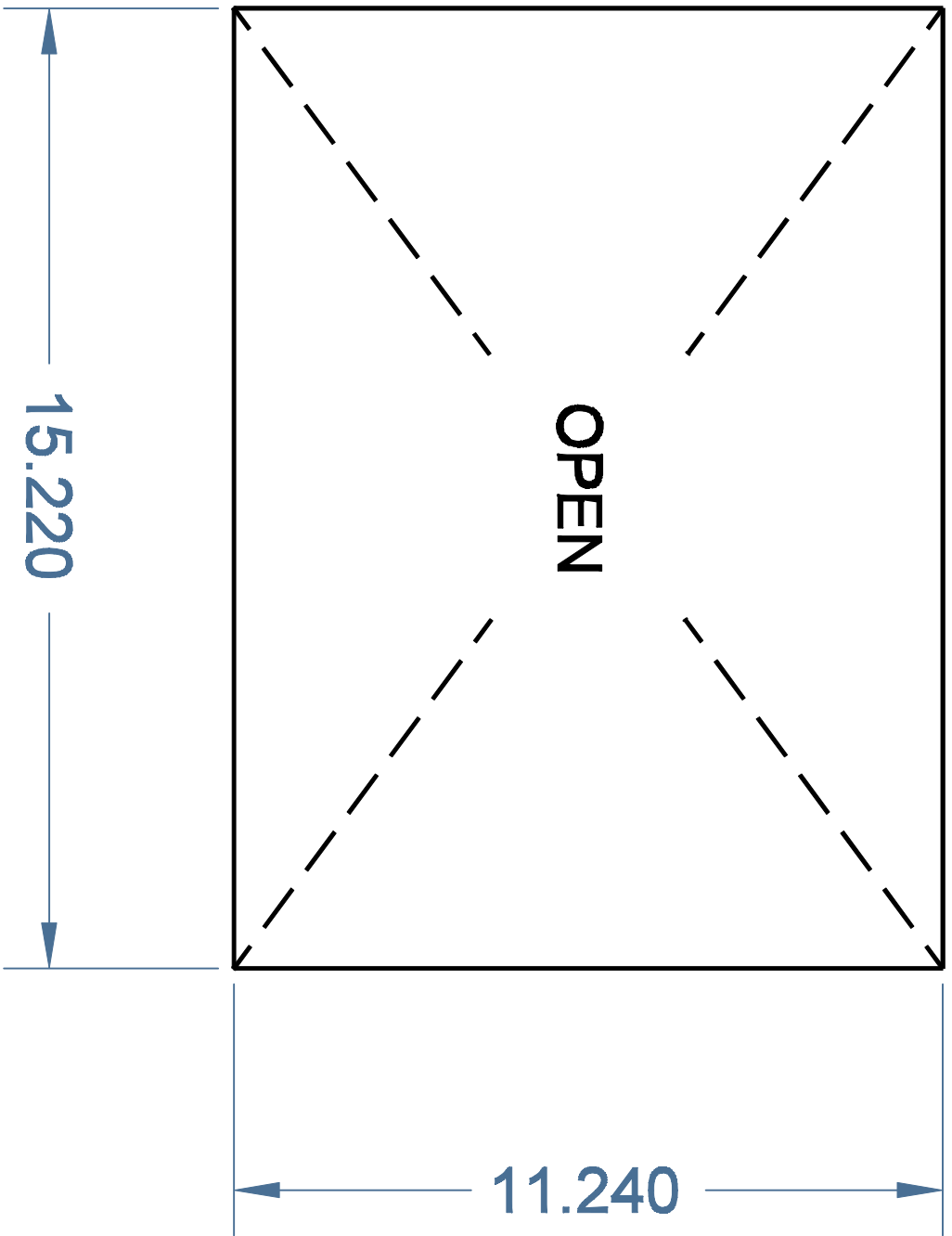
## TOP VIEW

DATE	02-07-2009	DRAWN BY	B.G.	MODEL	TR 5915
PRODUCT	PANEL MOUNT VERSION			REVISION	
FINISH	CRINKLE BLACK	TRANSDUCTION			
	POWDER PAINT		CHECKED BY	NTS	
TITLE	LAYOUT	DRAWING No	B-401		
SCALE					

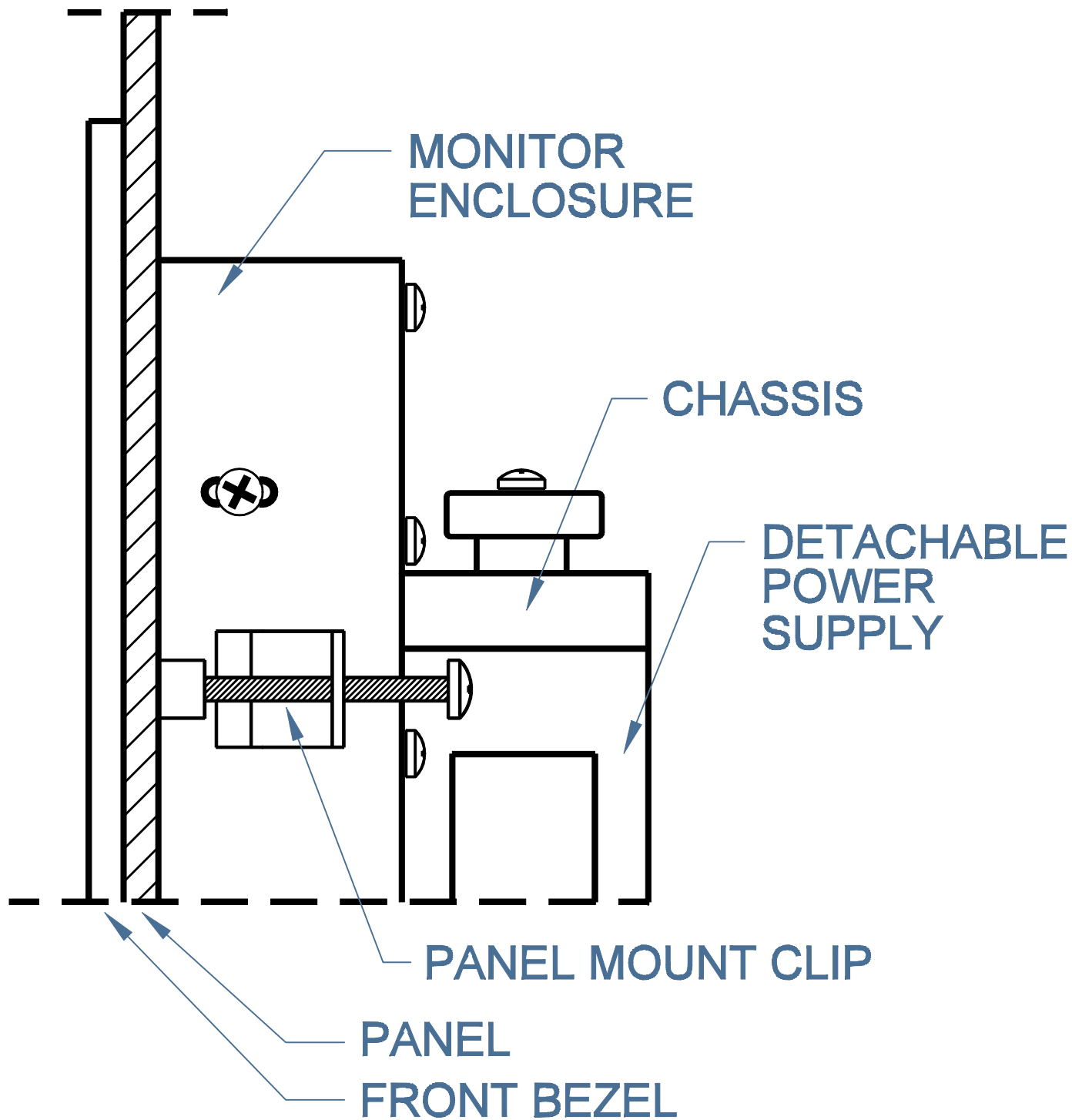


# BOTTOM VIEW

DATE	02-07-2009	DRAWN BY	B.G.	MODEL	TR 5915
PRODUCT	PANEL MOUNT VERSION			REVISION	SCALE
FINISH	CRINKLE BLACK	Transduction	CHECKED BY	NTS	
TITLE	LAYOUT			DRAWING No	B-402



DATE	02-07-2009	DRAWN BY	B.G.	MODEL	TR 5915
PRODUCT	PANEL MOUNT VERSION				
FINISH	CRINKLE BLACK	TRANSDUCTION		CHECKED BY	NTS
TITLE	POWDER PAINT	CUTOUT		DRAWING No	B-403



**NOTE: CLIP ATTACHED FROM BEHIND AFTER CHASSIS PLACEMENT IN THE PANEL OPENING**

DATE 02-07-2009	DRAWN BY B.G.	MODEL TR 5915		
PRODUCT PANEL MOUNT VERSION		REVISION	SCALE	
FINISH CRINKLE BLACK POWDER PAINT	Transduction		CHECKED BY	NTS
TITLE DETAIL "A"			DRAWING No B-404	