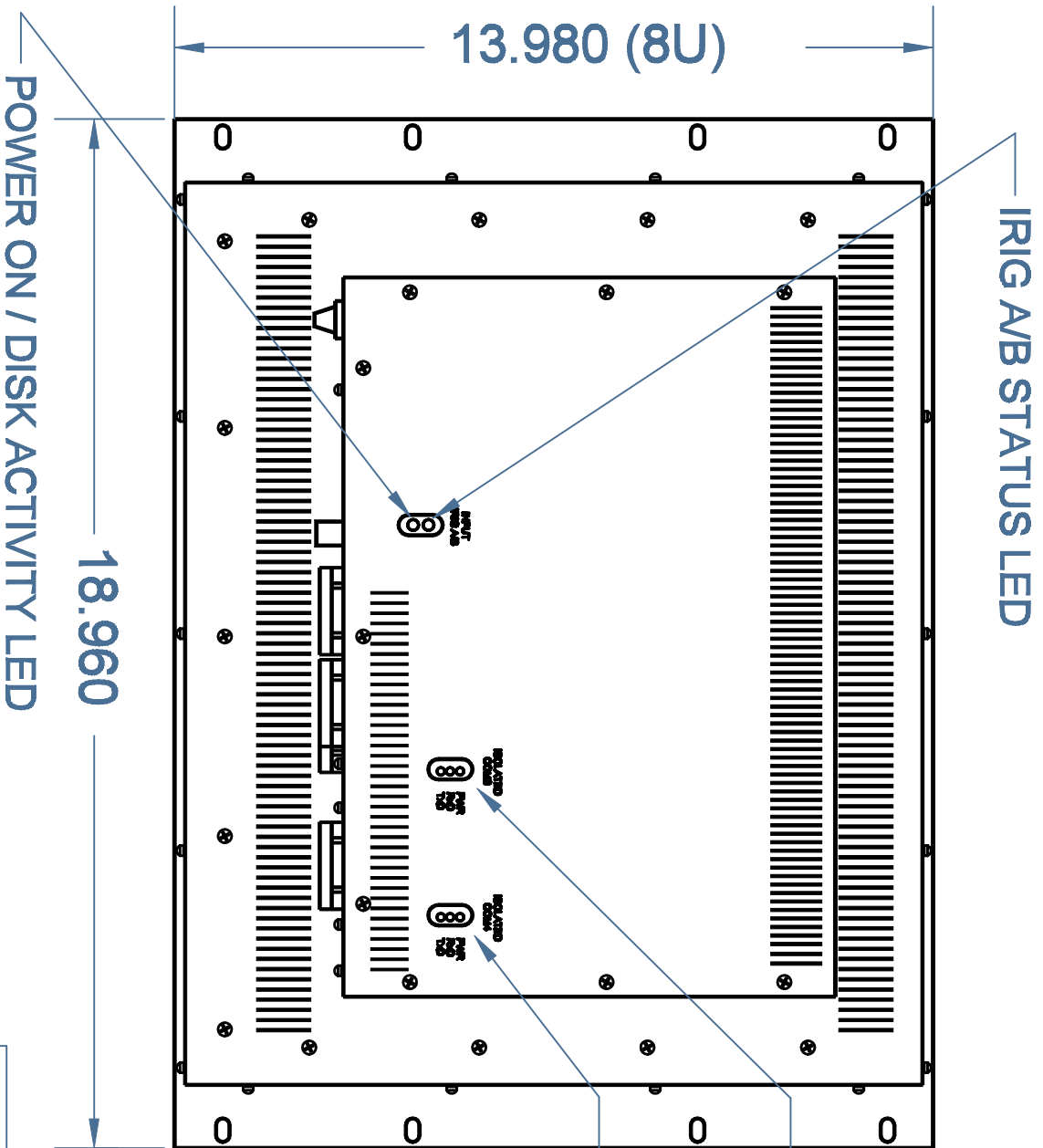


**FRONT VIEW**

DATE	02-14-2009	DRAWN BY	B.G.	MODEL	TR 5195F
PRODUCT	RACK MOUNT VERSION		REVISION		
FINISH	CRINKLE BLACK POWDER PAINT	Transduction	CHECKED BY	NTS	
TITLE	LAYOUT			DRAWING No	B-416
SCALE	NTS				



IRIG AB STATUS LED

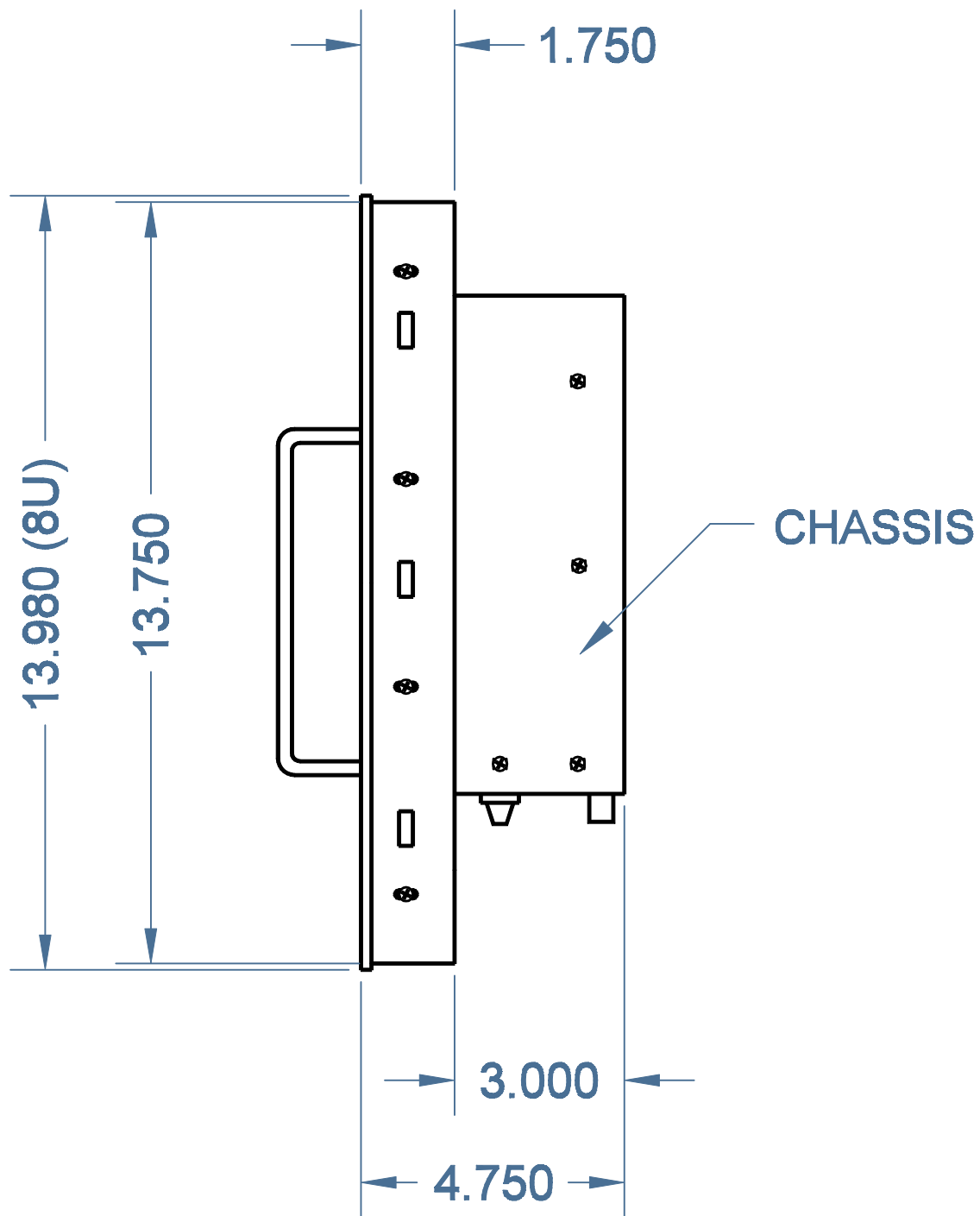
ISOLATED COM3 SERIAL PORT  
POWER, RXD, TXD  
STATUS LEDS

ISOLATED COM4 SERIAL PORT  
POWER, RXD, TXD  
STATUS LEDS

POWER ON / DISK ACTIVITY LED

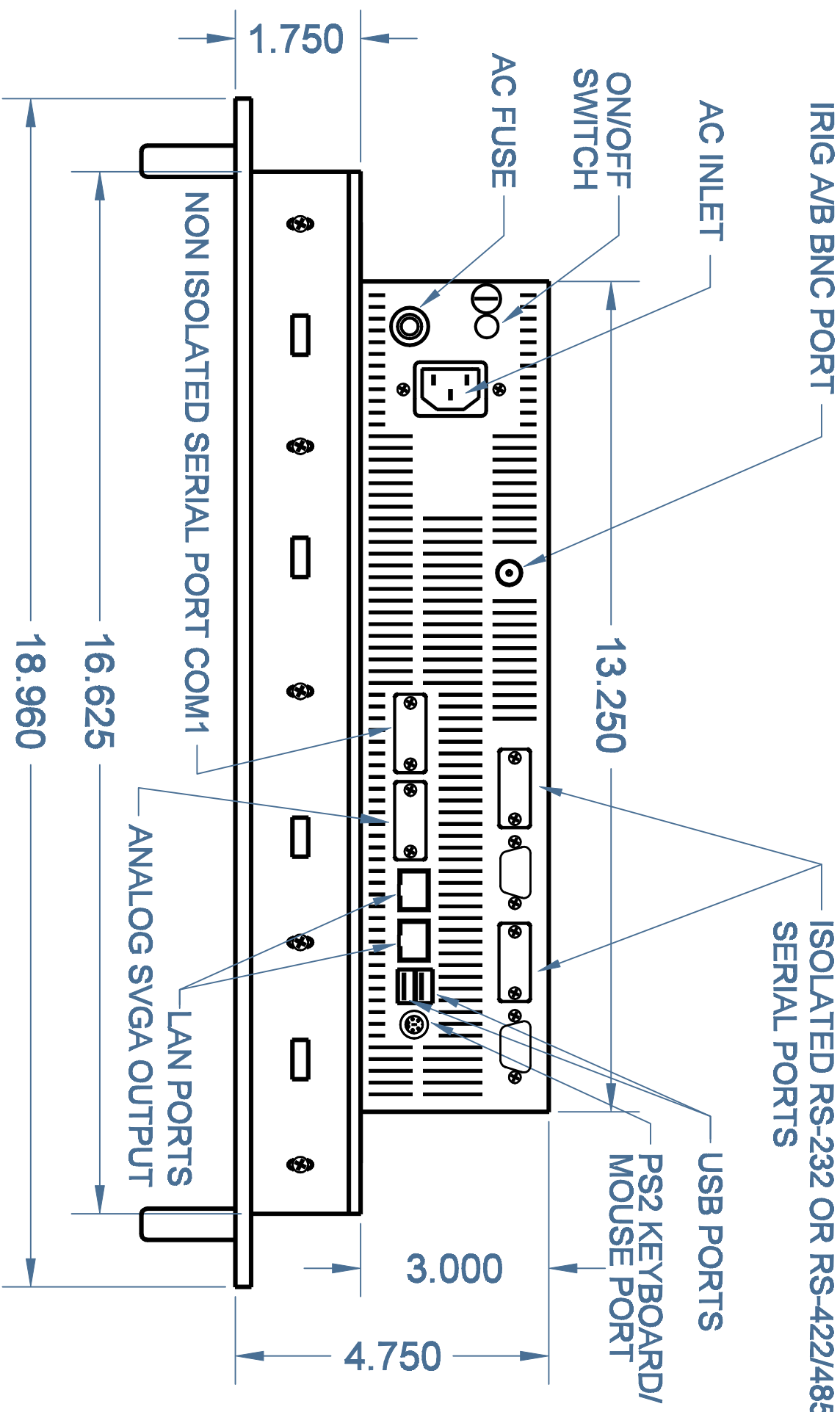
**REAR VIEW**

DATE	02-14-2009	DRAWN BY	B.G.	MODEL	TR 5195F
PRODUCT	RACK MOUNT VERSION			REVISION	
FINISH	CRINKLE BLACK	Transduction		CHECKED BY	NTS
TITLE	LAYOUT			DRAWING No	B-417
				SCALE	



RIGHT SIDE VIEW

DATE <b>02-14-2009</b>	DRAWN BY <b>B.G.</b>	MODEL <b>TR 5195F</b>	
PRODUCT <b>RACK MOUNT VERSION</b>		REVISION	SCALE
FINISH <b>CRINKLE BLACK POWDER PAINT</b>	Transduction		CHECKED BY <b>NTS</b>
TITLE <b>LAYOUT</b>		DRAWING No <b>B-418</b>	



# BOTTOM VIEW

DATE	02-14-2009	DRAWN BY	B.G.	MODEL	TR 5195F
PRODUCT	RACK MOUNT VERSION			REVISION	SCALE
FINISH	CRINKLE BLACK POWDER PAINT	Transduction		CHECKED BY	NTS
TITLE	LAYOUT			DRAWING No.	B-419